

# LFE SERIES Outdoor Lighting

LFE-100W-MCT-D  
COMPACT FLOOD LIGHT

Customer Name: \_\_\_\_\_

Project Name: \_\_\_\_\_

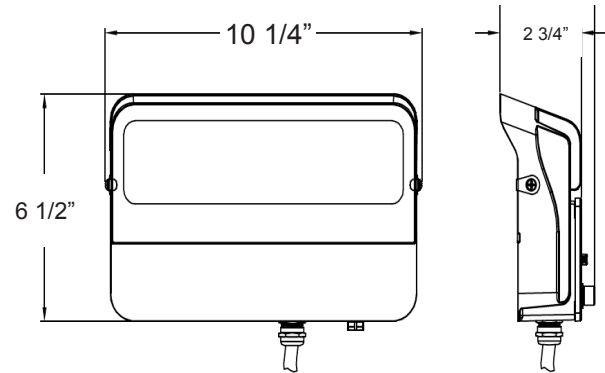
Note: \_\_\_\_\_

Type: \_\_\_\_\_



**MCT<sub>3</sub>**

Selection:



6 1/2"(H) x 10 1/4"(W) x 2 3/4"(D)

Ideal for general site lighting, alleys, loading docks, doorways, pathway, parking areas. Replace existing HID flood lights/wall packs. Great for use with motion sensors or other instant on/off controls. Solid state lighting technology for long life, low maintenance and high efficiency.

## Features

- MCT: Multi Color Temperature (Switch On The Back of Fixture With Silicon Cover)
- 7-Year Warranty
- 70,000 hours rated life
- Low Maintenance Needed and High-Efficiency

## Technical Specifications

### Electrical:

- Voltage: 120~277V AC 50/60Hz
- Wattage: 100W
- Power Factor: >0.9
- Efficacy: 130 LPW
- THD: <25%

### Mechanical:

- Die-Cast Aluminum Housing With Powder Coat Finish (Dark Bronze Finish)
- Solid State Lighting Technology For Long Life, No Maintenance Needed and High-Efficiency
- High Conductive Aluminum LED Board
- IP Rating: IP65
- Operating Temperature: -40°F to 104°F
- Suitable for Wet Locations

### Lighting:

- Cord type: 18" SJTW 18/3 AWG cable
- MCT: Multi Color Temperature (Switch On The Back of Fixture With Silicon Cover)
- Total lumens: 13000LM
- Color temperature: 3000K/ 4000K/ 5000K
- Color rendering index: CRI > 70
- Beam Angle: 120° x 90°

### Applications:

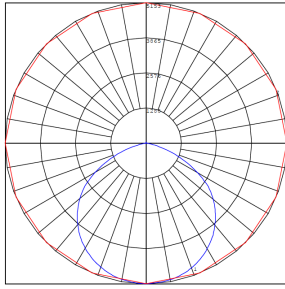
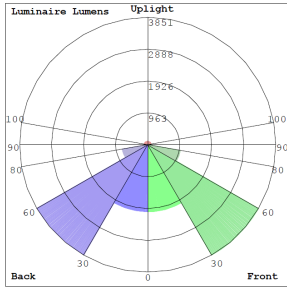
- Ideal for general site lighting, alleys, loading docks, doorway, pathway and parking areas.
- Replace existing HID flood lights/ wall packs
- Great for use with motion sensors or other instant on/off controls

### Other Models:

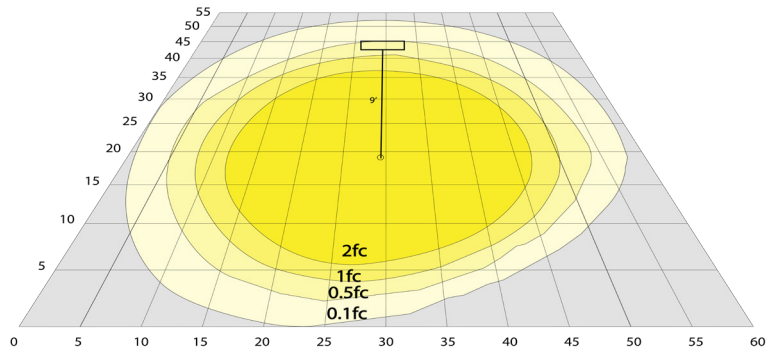
- 80W | 10500LM | LFE-80W-MCT-D



## Photometrics: LFE-100W-MCT-D



BUD Rating: B3-U3-G1



100W, 5000K Area 55'x 60' Mounting Height: 9'

## Other Views:



Side View



Top View



Back View

## Performance Table: LFE-100W-MCT-D

MODEL NO.	Wattage	Voltage	Lumens	Color Temp.	BUG Rating	LPW
LFE-100W-MCT-D	100W	120~277V	13000LM	3000K 4000K 5000K	B3-U3-G1	130

## Sample Ordering

Model Wattage Color Temp. Dimming

LFE - 100W - MCT - D

## Accessories Options

Blank = No Option For Accessories

## Example:

1. LFE-100W-MCT-D

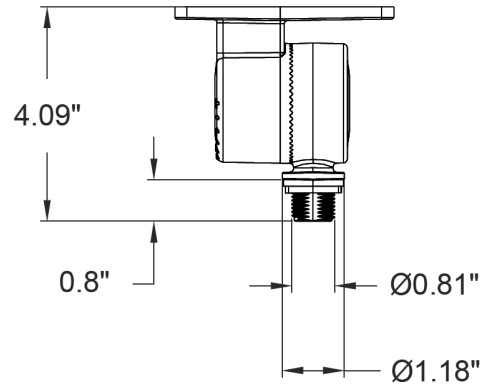
(For LFE 100W MCT fixture 120~277V)



## Mounting Options:



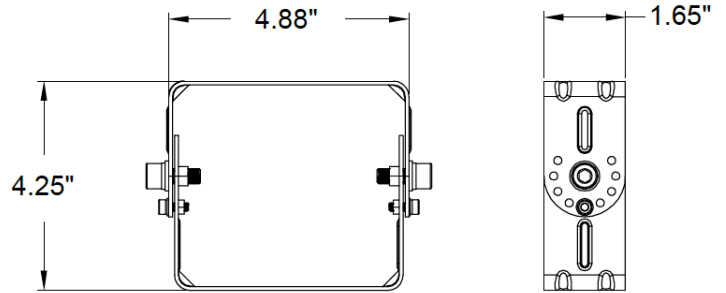
LFE-KN



4.09" X 0.8" X 1.18"



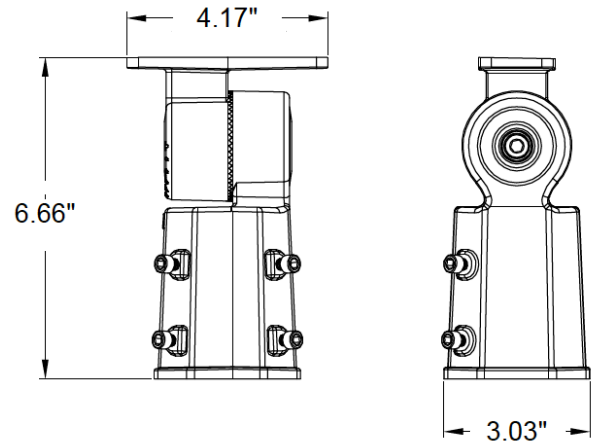
LFE-YK



4.25" X 4.88" X 1.65"



LFE-SF



6.66" X 4.17" X 3.03"  
Inside Diameter: 2.75

