

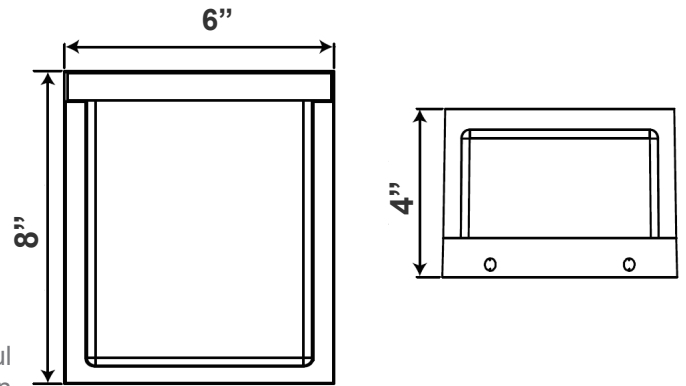
# LDSX SERIES OUTDOOR LIGHTING

LDSX-S-12-16W- MCTP-ORB  
FULL-LENS WALL SCONCE, POWER & CCT-ADJUSTABLE  
**MCTP** Multi Color Temperature & Multi Power/Wattage (Selectable)

Customer Name: \_\_\_\_\_

Project Name: \_\_\_\_\_

Note: \_\_\_\_\_ | Type: \_\_\_\_\_



8"(H) x 6"(W) x 4"(D)

This wall light is a perfect combination of modern style, beautiful appearance, and durability. The lamp design is quite novel with an elegant and fashionable look. The backplate of the entire lamp is integrated with die-cast aluminum to ensure good heat dissipation. The lampshade uses a PC anti-yellow and high-transmittance material to provide excellent light transmission. It is available in two different sizes with three adjustable wattage levels and three adjustable color temperature levels. These decorative wall lights are ideal for balconies, porches, walkways, hallways, entryways, and living and dining spaces in both residential and commercial settings.

## Features

- Oil-Rubbed Bronze
- 7-Year Warranty
- Multi CCT & Power (Selectable Switch On The Back)
- Aluminum Housing and Steel Back Plate

## Technical Specifications

### Electrical:

- Voltage: 120V AC 50/60Hz
- Power Factor: >0.90
- Wattage: 12W/14W/16W
- Efficacy: 100 LPW
- Total Harmonic Distortion: ≤20 %

### Mechanical:

- Aluminum Housing and Steel Back Plate
- Oil-Rubbed Bronze Finish
- Maximum Ambient Temperature: 50~113°F
- IP66, Suitable for outdoor use
- 7-Year Warranty

### Lighting:

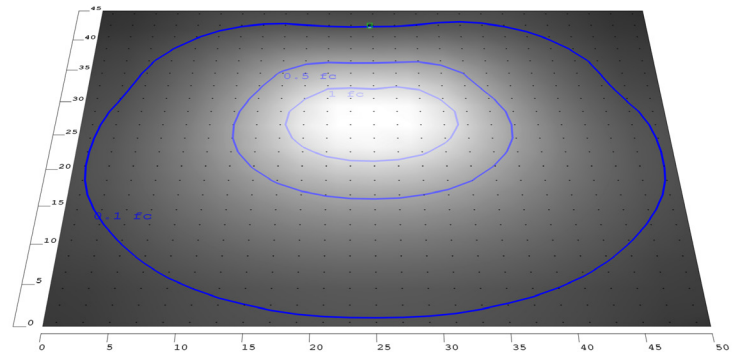
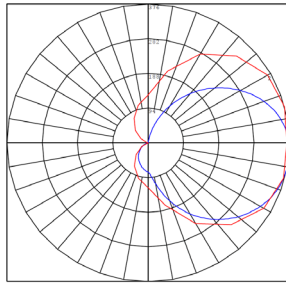
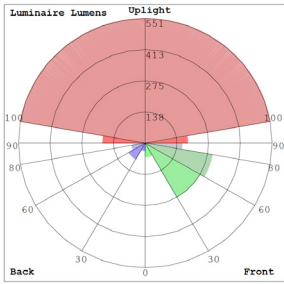
- Multi CCT (Selectable Switch On The Back )
- Lens: Acrylic PC lens
- Total Lumens: 1600LM Max.
- Color Temperatures: 3000K/4000K/5000K
- Color Rendering Index: CRI ≥ 80
- Beam Angle: 120°
- Rated life: 70,000 Hrs

### Applications:

- LED outdoor wall light with aluminum housing & powder-coated finish, acrylic diffuser. Ideal for general site lighting, residential buildings, doorway, pathway and parking areas.



## Photometrics: LDSX-S-12-16W- MCTP-ORB



BUG Rating: B0-U4-G2

16W, 5000K, Area 45'x 50' Mounting Height: 9'

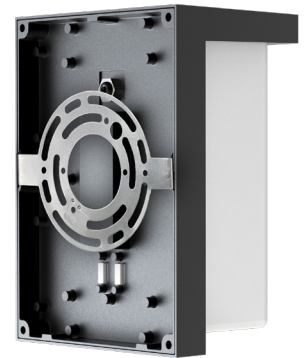
## Other Views:



Side View



Front View



Back View

## Performance Table: LDSX-S-12-16W- MCTP-ORB

MODEL NO.	Wattage	Voltage	Lumens	Color Temp.	BUG Rating	LPW
LDSX-S-12-16W- MCTP-ORB	12W 14W 16W	120V	1200LM 1400LM 1600LM	3000K/4000K/5000K	B0-U4-G2	100

## Sample Ordering

Model	Size	Watt	Max. Watt	Color Temp.	Finish					
LDSX	-	MCTP	-	12	-	16W	-	MCTP	-	ORB

## Factory-Installed Options:

- Blank = No Accessor
- OPT-EM-LDSX-S = EMERGENCY BACKUP BATTERY
- OPT-277V-LDS = EXTERNAL BOX
- OPT-PC-BI = BUTTON
- OPT-SEN-LDS-BR = PROGRAMMABLE MICROWAVE BLLEVEL
- OPT-SEN-LDS-GY = PROGRAMMABLE MICROWAVE BLLEVEL
- WEC-8RC = OPTIONAL REMOTE CONTROL

## FACTORY-INSTALLED OPTIONS:



OPT-EM-LDSX-S  
1-1/4" Additional Depth



**SENSOR  
OPTION**  
OPT-SEM-LDS-BR  
OPT-SEM-LDS-GY



OPT-PC-BI



WEC-8RC

