

HPL SERIES Industrial Lighting

HPL-HB-100W-50K-E39

WESTGATE
THE FUTURE IS HERE...AND IT'S QUITE BRIGHT!

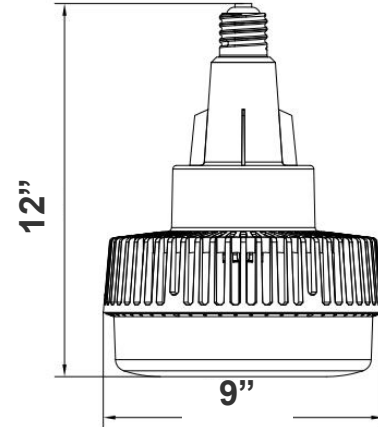


Customer Name: _____

Project Name: _____

Note: _____

Type: _____



12"(H) x 9"(W)

Ideal for Retrofitting Existing HID High Bay, It Can Be Used in Enclosed Luminaires.

Features

- Lamp Base: E39 Mogul Base
- 5-Year Warranty
- Plastic Housing
- 50,000 Hours Rated Life

Technical Specifications

Electrical:

- Voltage: 120-277V AC 50/60Hz
- Wattage: 100W
- Power Factor: >0.9
- THD: ≤25%
- Efficacy: 150 LPW

Mechanical:

- Plastic Housing
- No fan housing (New Technology)
- Lamp base: E39 Mogul Base
- Operating temperature: -4°F ~ 122°F
- Do not use the lamps in enclosed fixtures
- Suitable for damp location

Lighting:

- Lens: PC Lens
- Total lumens: 15000LM
- Color temperature: 3000K/5000K
- Color rendering index: >80
- Beam Angle: 120°
- Lifespan: 50,000 hrs.

Applications:

- Ideal for Retrofitting Existing HID High Bay, It Can be Used in Enclosed Luminaires

Other Models:

- 60W | 6480LM | HPL-HB-60W-50K-E39
- 75W | 8100LM | HPL-HB-75W-50K-E39
- 140W | 15120LM | HPL-HB-140W-50K-E39

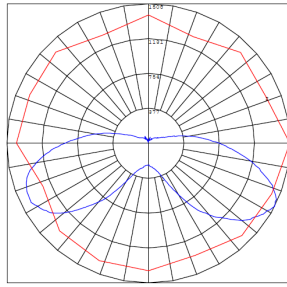
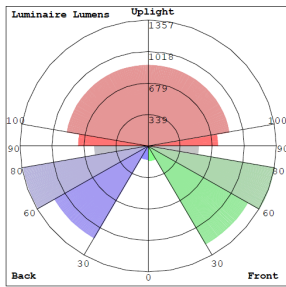


Phone: (877) 805-2252 | Fax: (877) 805-2252
www.westgatemfg.com

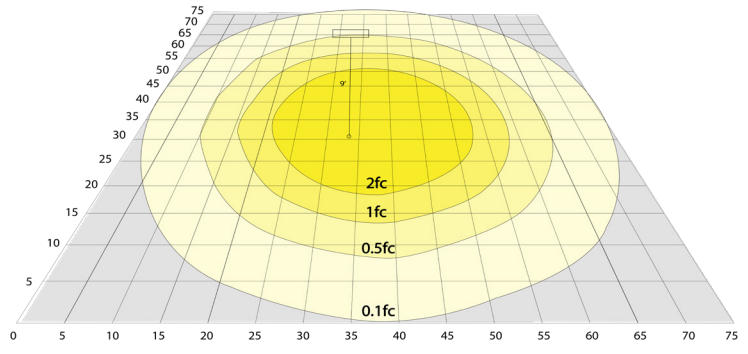


WG-Z6-29-2Z

Photometrics: HPL-HB-100W-50K-E39



BUD Rating: B3-U4-G4



75W, 5000K Area 75'x 75' Mounting Height: 9'

Performance Table: HPL-HB-100W-50K-E39

MODEL NO.	Wattage	Voltage	Lumens	Color Temp.	BUG Rating	LPW
HPL-HB-100W-50K-E39	100W	120~277V	15000LM	5000K	B3-U4-G4	150

Sample Ordering

Model High Power Wattage Color Temp. Base

HLP - HB - 100W - - E39

50K = 5000K

Accessory:

Blank = No Option For Accessories

E39-REDUCER = REDUCES E39 BULB TO BE USED IN E26 SOCKET

HPL-HB-R3 = Optional PC Reflector for HPL-HB-120W

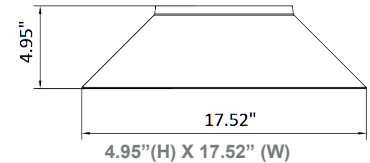
ACCESSORY:



E39-REDUCER



HPL-HB-R3



Example:

- HPL-HB-100W-50K-E39 (FOR HPL 100W FIXTURE 120-277V)
- HPL-HB-100W-50K-E39 E39-REDUCER (FOR HPL 100W FIXTURE 120-277V) (REDUCES E39 BULB TO BE USED IN E26 SOCKET)

