

GPX SERIES Outdoor Lighting

GPX-18-60W-MCTP-A1

POST DISK LIGHT WITH SINGLE ARM

MCTP Multi Color Temperature & Multi Power/Wattage (Selectable)

WESTGATE

THE FUTURE IS HERE...AND IT'S QUITE BRIGHT!

Customer Name: _____

Project Name: _____

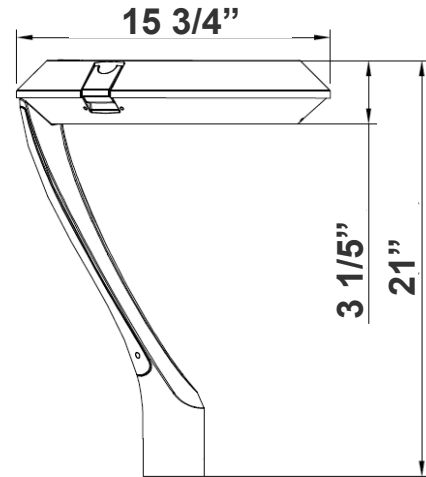
Note: _____

Type: _____



SINGLE ARM

Ideal for airports, auto dealerships, corporate offices, education, government, healthcare, industrial warehouses, municipal parking, gas stations, convenient stores, recreation and public venues, restaurants, hospitality, retail and grocery stores.



15 3/4" (W) X 21"(H)
Inside Diameter: 2 3/4"

Features

- Aluminum Housing ,Outdoor Powder Coated
- 7-Year Warranty
- Multi CCT and Power: Selectable Switch Inside Of The Fixture

Technical Specifications

Electrical:

- Voltage: 100-277V AC 50/60Hz
- Wattage: 18W/30W/45W/60W
- Power Factor: 0.95
- Efficacy: 150LM/W

Mechanical:

- Aluminum Housing , Outdoor Powder Coated
- Single Arm Fits On 2-3/4" Poles
- For 2-3/8" OD Pole/Pipe
- Programmable Bi-Level Motion Sensor & Emergency Backup Options
- Operating Temperature: -86°F~122°F
- IP Rating: IP66, Suitable for Wet Locations
- 7-Year Warranty

Lighting:

- Multi CCT and Power: Selectable Switch Inside Of The Fixture
- Dimmable: 0~10V Dimming
- LED: SMD 3030
- Total Lumens: 9000LM Max.
- Color Temperature: 3000K/4000K/5000K
- Color Rendering index: >70
- Beam Angle: Type V (150° X 150°)
- Lifespan: 70000 Hrs.

Applications:

- Ideal For Garden, Amusement Park, Residential Quarter , Industrial Park And Pedestrian street.

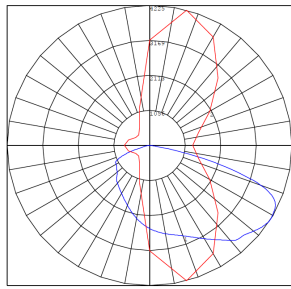


Phone: (877) 805-2252 | Fax: (877) 805-2252
www.westgatefg.com

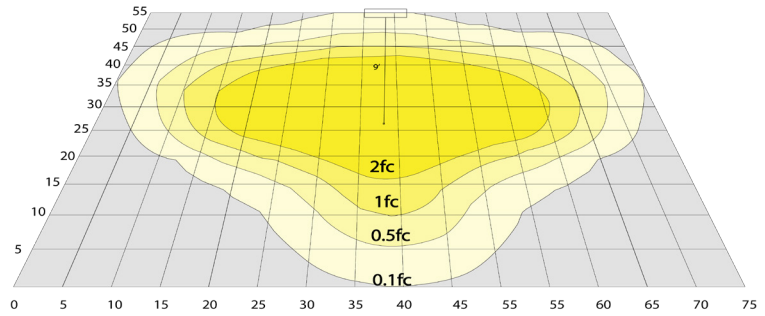


WG-04062022

Photometrics: GPX-18-60W-MCTP-A1



BUD Rating: B1-U1-G0



20W 5000K, Area55'x 75' Mounting Height: 9'

Other Views:



Single Arm Mount



Lens View



Top View

Performance Table: GPX-18-60W-MCTP-A1

MODEL NO.	Wattage	Voltage	Lumens	Color Temp.	BUG Rating	LPW
GPX-18-60W-MCTP-A1	18W 30W 45W 60W	120-277V	2700LM 4500LM 6750LM 9000LM	3000K 4000K 5000K	B1-U1-G0	150

Sample Ordering

Model Min. Watt Max. Watt Color Temp. Mount

GPX - 18 - 60W - MCTP - A1

Factory Installed Options:

- Blank = No Option
- OPT-EM-OD2INT = INTERNAL EMERGENCY BACK UP BATTERY
- OPT-3MPC = MICROWAVE PHOTOCELL
- OPT-CLR-95(BK/GR/SR/WH) = COLOR PAINT
- OPT-SEN-3MR-3 = BI-LEVEL MICROWAVE SENSOR
- WEC-8RC = REMOTE CONTROL
- OPT-WP-480V = 480V OPTION
- OPT-GPX-LENS-TYPE2S = FACTORY- INSTALLED TYPE 2 LENS
- OPT-GPX-LENS-TYPE3S = FACTORY- INSTALLED TYPE 3 LENS
- OPT-GPX-LENS-FL = FACTORY- INSTALLED FROSTED GLASS LENS

FACTORY INSTALLED OPTIONS:



COLOR CHART: * Choose from one of our Premium Colors with no set-up fee.

Gloss:



Hammer:



Texture:



Vein:

