

FCS-11HL-MCT5



**MCT5**

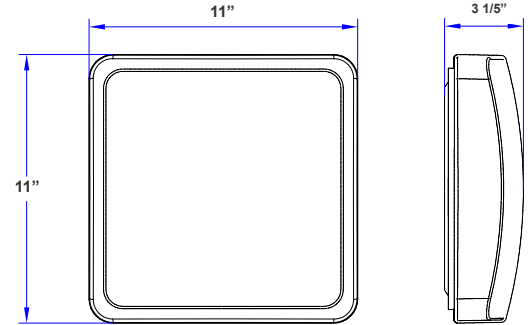
The LED Flush Mount Surface Fixture is a low profile downlight intended for ceiling or wall mount applications. Driver on Board (DOB) technology, with no driver or transformer needed. These flush mount ceiling lights mount directly to a 4" deep dish junction box ideal for Residential and commercial applications.

Customer Name: \_\_\_\_\_

Project Name: \_\_\_\_\_

Note: \_\_\_\_\_

Type: \_\_\_\_\_



11"(W) x 3 1/5"(D)

## Features

- Construction: Spun Aluminum + Steel
- Optics: White Translucent Acrylic Lens
- 5-Year Warranty
- 50,000 Hours Rated Life
- MCT: Multi Color Temperature (Selectable with Switch Inside Fixture)
- High Lumens

## Technical Specification

### Electrical:

- Voltage: 120 VAC 60Hz
- Wattage: 20W
- Power Factor: >0.9
- Efficacy: 75 LP

### Mechanical:

- Optics: White Translucent Acrylic Lens
- Construction: Spun aluminum Steel
- Gasket: Closed Cell Neoprene Foam Gasket
- Operating Temp: -4°F to +104°F
- Suitable for Damp Locations When Gasket is Used
- IP Rating: IP20

### Lighting:

- Dimmable Down to 10% Using a Standard TRIAC LED Dimmer
- Total Lumens: 1500LM
- Color Temperatures: 2700/3000/3500/4000/5000K
- Multi-CCT (selectable with switch is on the LED Board Under the Lens)
- Color Rendering Index: CRI ≥ 80

### Applications:

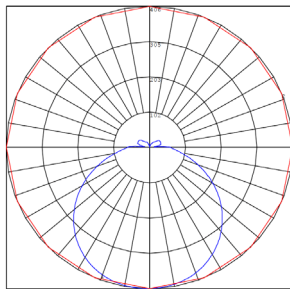
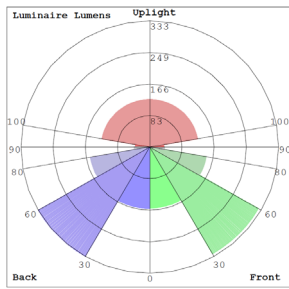
- The LED Flush Mount Surface Fixture is a low profile down light intended for ceiling or wall moun applications. Driver on Board (DOB) technology, with no driver or transformer needed. These flush moun ceiling lights mount directly to a 4" deep dish junction box ideal for Residential and commercial applications

### Other Models:

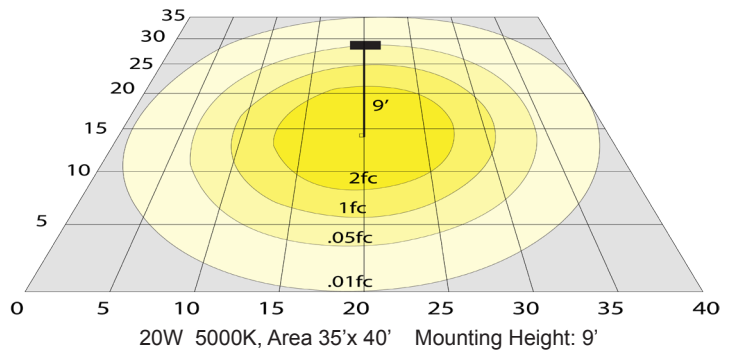
- 24W | 1800LM | FCS-13-MCT5



## Photometrics: FCS-11HL-MCT5



BUG Rating: B1-U3-G1



## Other Views:



Side View



Front View

## Performance Table: FCS-11HL-MCT5

MODEL NO.	Wattage	Voltage	Lumens	Color Temp.	BUG Rating	LPW
FCS-11HL-MCT5	20W	120V	1500LM	2700K 3000K 3500K 4000K 5000K	B1-U3-G1	75

## Sample Ordering

Model    Size    Color Temp.

FCS - 11HL - MCT5

## Factory-Installed Options:

Blank = No Option For Accessories  
 OPT-SEN-2US= ULTRASONIC BI-LEVEL DIMMING  
 WEC-3RC = OPTIONAL REMOTE CONTROL

## Factory Installed Options:



WEC-3RC



OPT-SEN-2US

## Example:

1. FCS-11HL-MCT5
2. FCS-11HL-MCT5  
OPT-SEN-2US

(FOR FCS 20W MCT5 FIXTURE 120V)

(FOR FCS 20W MCT5 FIXTURE 120V)  
 (ULTRASONIC BI-LEVEL DIMMING)

