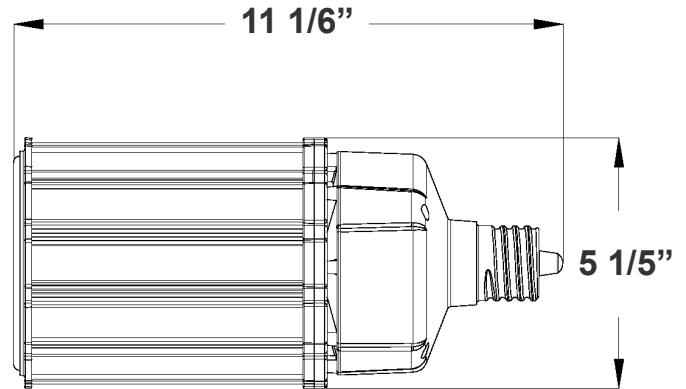


# CL-EHL SERIES Industrial Lighting

CL-EHL-120W-30K-E39  
CL-EHL-120W-50K-E39



Customer Name: \_\_\_\_\_  
Project Name: \_\_\_\_\_  
Note: \_\_\_\_\_ | Type: \_\_\_\_\_



11 1/6"(H) x 5 1/5"(W)

LED Corn Lamp suitable for supermarkets, warehouses, garages, home, offices, hotels, hospitals, schools, high bay retrofitting

## Features

- E39 Mogul Base
- 5-Year Warranty
- Housing: PC + Aluminum
- 50,000 Hours Rated Life

## Technical Specifications

### Electrical:

- Voltage: 120-277V AC 50/60Hz
- Wattage: 120W
- Power Factor: >0.9
- AC Direct / Bypass Existing Ballast
- THD: ≤20%
- Efficacy: 130/145 LPW

### Mechanical:

- PC and Aluminum housing and Sealant pouring for whole driver
- Meet 4KV surge immunity level
- Operating temperature: -40°F to 176°F
- Minimum Enclosed Space Dimension: 17.3"(H) x 9.4"(D) and 1547 Cubic in.
- Suitable for Damp Location

### Lighting:

- LED SMD type: Edison 2835
- Total Lumens: 15600LM/17400LM
- Color Temperatures: 3000K/4000K/5000K
- Color Rendering Index: CRI ≥ 80
- Beam Angle: 285°
- Replacement Range: 200~400MH

### Applications:

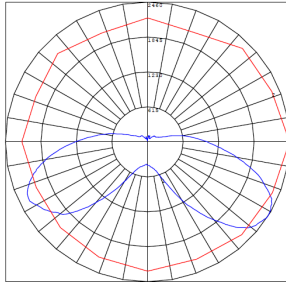
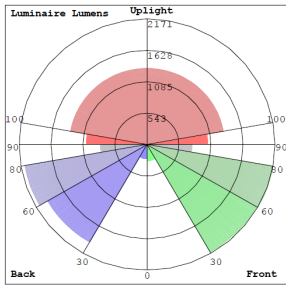
- LED Corn Lamp suitable for supermarkets, warehouses, garages, home, offices, hotels, hospitals, schools, highbay retrofitting

### Other Models:

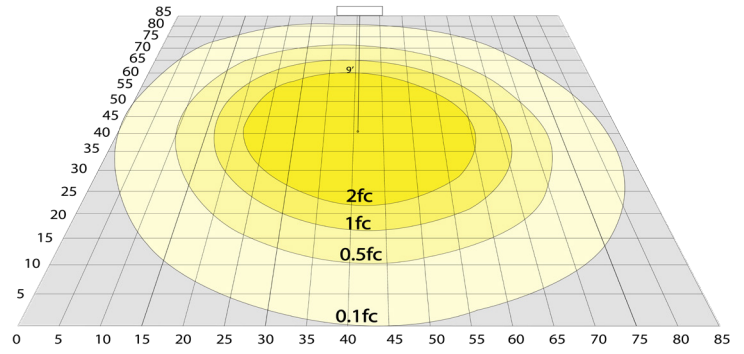
- |                                     |                                      |  |
|-------------------------------------|--------------------------------------|--|
| • 12W   1500LM   CL-EHL-12W-30K-E26 | • 18W   2250LM   CL-EHL-18W-30K-E26  | • 27W   3375LM   CL-EHL-27W-30K-E26    |
| • 12W   1860LM   CL-EHL-12W-50K-E26 | • 18W   2610LM   CL-EHL-18W-50K-E26  | • 27W   4185LM   CL-EHL-27W-50K-E26    |
| • 36W   4500LM   CL-EHL-36W-30K-E26 | • 36W   4500LM   CL-EHL-36W-30K-E39  | • 45W   5625LM   CL-EHL-45W-30K-E39    |
| • 36W   5580LM   CL-EHL-36W-50K-E26 | • 36W   5580LM   CL-EHL-36W-50K-E39  | • 45W   6975LM   CL-EHL-45W-50K-E39    |
| • 54W   6750LM   CL-EHL-54W-30K-E39 | • 75W   9375LM   CL-EHL-75W-30K-E39  | • 100W   12500LM   CL-EHL-100W-30K-E39 |
| • 54W   8370LM   CL-EHL-54W-50K-E39 | • 75W   11625LM   CL-EHL-75W-50K-E39 | • 100W   15500LM   CL-EHL-100W-50K-E39 |



## Photometrics: CL-EHL-120W-E39

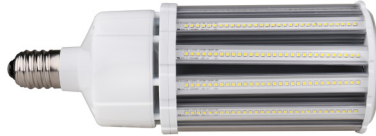


BUG Rating: B3-U5-G5



100W, 5000K Area 80'x 80' Mounting Height: 9'

## Other Views:



Side View



Front View

## Performance Table: CL-EHL-120W-E39

MODEL NO.	Wattage	Voltage	Lumens	Color Temp.	BUG Rating	LPW
CL-EHL-120W-30K-E39	120W	120~277V	15600	3000K	B3-U5-G5	130
CL-EHL-120W-50K-E39	120W	120~277V	17400	5000K	B3-U5-G5	145

## Sample Ordering

**Model Style Wattage Color Temp. Base**

CL - EHL - 120W -  - E39

30K = 3000K  
50K = 5000K

## Accessory:

Blank = No Option For Accessories

E39-REDUCER = REDUCES E39 BULB TO BE USED IN E26 SOCKET

## ACCESSORY:



E39-REDUCER

## Example:

1. CL-EHL-120W-30K-E39 (FOR CL EHL 120W 30K FIXTURE 120-277V)
2. CL-EHL-120W-30K-E39 E39-REDUCER (FOR CL EHL 120W 30K FIXTURE 120-277V)  
(REDUCES E39 BULB TO BE USED IN E26 SOCKET)

