

CL-EHL SERIES Industrial Lighting

CL-EHL-12-27W-MCTP-E26

MCTP Multi Color Temperature & Multi Power/Wattage (Selectable)

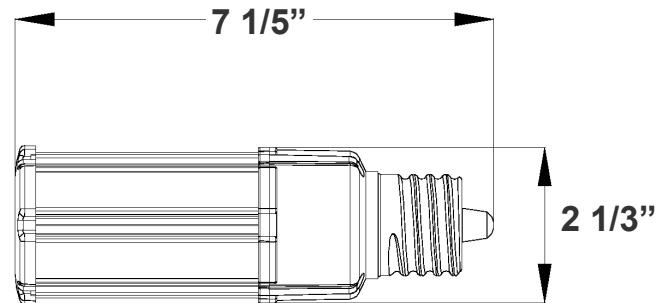


Customer Name: _____

Project Name: _____

Note: _____

Type: _____



7 1/5"(H) x 2 1/3"(W)

LED Corn Lamp suitable for supermarkets, warehouses, garages, home, offices, hotels, hospitals, schools, high bay retrofitting

Features

- E26 medium Base
- 5-Year Warranty
- 50,000 Hours Rated Life
- Housing: PC + Aluminum
- Multi CCT & Power (Selectable Switches On the Bottom of The Lamp)

Technical Specifications

Electrical:

- Voltage: 120-277V AC 50/60Hz
- Wattage: 12W/18W/27W
- Power Factor: >0.9
- AC Direct / Bypass Existing Ballast
- THD: ≤20%
- Efficacy: 150LM/W

Mechanical:

- Housing: PC + Aluminum
- E26 medium Base
- Suitable for Use in Enclosed Luminaires, min. Lamp Compartment Dimensions: 13.38" x 7.87" x 7.87"
- Operating Temp: -104°F to 122°F
- Suitable for Damp Location

Lighting:

- Multi CCT & Power (Selectable Switches On the Bottom of The Lamp)
- LED SMD type: Edison 2835
- Total Lumens: 1800LM/2700LM/4050LM
- Color Temperatures: 3000K/4000K/5000K
- Color Rendering Index: CRI ≥ 80
- Beam angle: 280°

Applications:

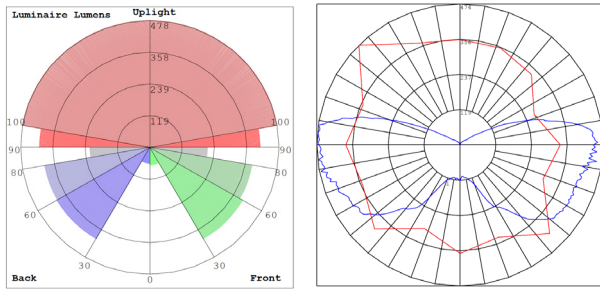
- LED Corn Lamp suitable for supermarkets, warehouses, garages, home, offices, hotels, hospitals, schools, highbay retrofitting

Other Models:

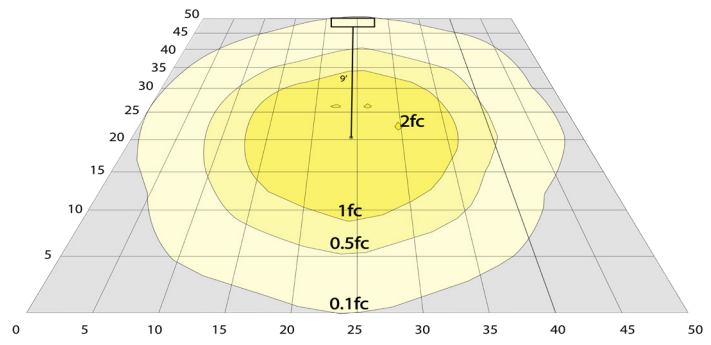
- 54W | 8100LM | CL-EHL-36-54W-MCTP-E39
- 120W | 18000LM | CL-EHL-80-120W-MCTP-E39



Photometrics: CL-EHL-12-27W-MCTP-E26



BUD Rating: B1-U3-G2



27W, 5000K, Area 50'x 50' Mounting Height: 9'

Other Views:



Side View



Front View

Performance Table: CL-EHL-12-27W-MCTP-E26

MODEL NO.	Wattage	Voltage	Lumens	Color Temp.	BUG Rating	LPW
CL-EHL-12-27W-MCTP-E26	12W	120~277V	1800	3000K	B1-U3-G2	150
	18W		2700	4000K		
	27W		4050	5000K		

Sample Ordering

Model Style Wattage Wattage Color Temp. Base
 CL - EHL - 12 - 27W - MCTP - E26

Accessory:

Blank = No Option For Accessories
 E26-ENLARGER = ENLARGES E26 BULB TO BE USED IN E39 SOCKET

ACCESSORY:



E26-ENLARGER

