

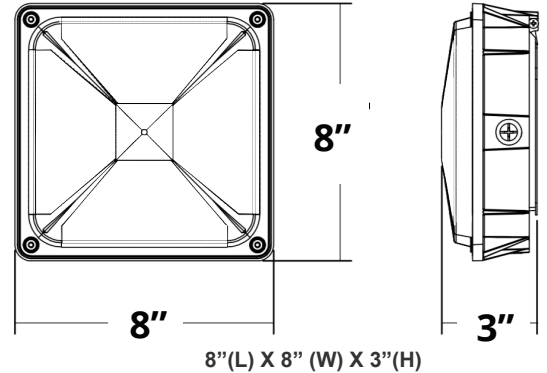
# CDLX SERIES OUTDOOR LIGHTING

CDLX-SM-5-25W-30K  
CDLX-SM-5-25W-40K  
CDLX-SM-5-25W-50K



Ideal for indoor parking lots, commercial buildings, schools, warehouses, retail centers, apartment complexes. Designed for 9 to 16-foot mounting.

Customer Name: \_\_\_\_\_  
Project Name: \_\_\_\_\_  
Note: \_\_\_\_\_ | Type: \_\_\_\_\_



## Features

- Housing: Die-cast aluminum with prismatic polycarbonate lens redesigned for LED
- Designed for 9 to 16 foot mounting heights
- Factory-Installed Options: Battery Backup, Motion Sensor
- 7-year warranty
- Multi-Power Switch is in the Fixture

## Technical Specifications

### Electrical:

- Input Wattage: 5W/ 10W/ 15W/ 25W
- Input Current: 0.6A MAX
- Input Voltage: 120-277VAC 50/60Hz
- Power factor: >0.90
- LPW: 120

### Mechanical:

- Die-cast aluminum with bronze
- Four 1/2" threaded hubs located on four sides of the housing
- Prismatic polycarbonate lens
- Lifespan: 70000 Hrs
- Operating temperature: -4°F ~ 104°F
- IP rating: IP65, Wet Locations

### Lighting:

- Dimming: 0~10V dimmable
- LED type/ Brand: SMD 3030/ Philips Lumileds LEDs
- Total lumens: 3000LM Max.
- Color temperature: 3000K/ 4000K/ 5000K
- Color rendering index: >80
- Beam angle: 150°
- Lifespan: 70000 Hrs

### Applications:

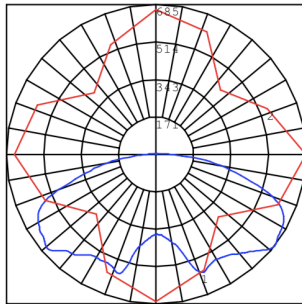
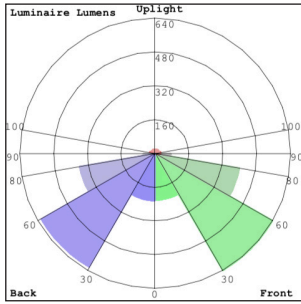
- Indoor Parking
- Commercial Buildings
- School
- Warehouses
- Complexes
- Apartment
- Garage

### Other Models:

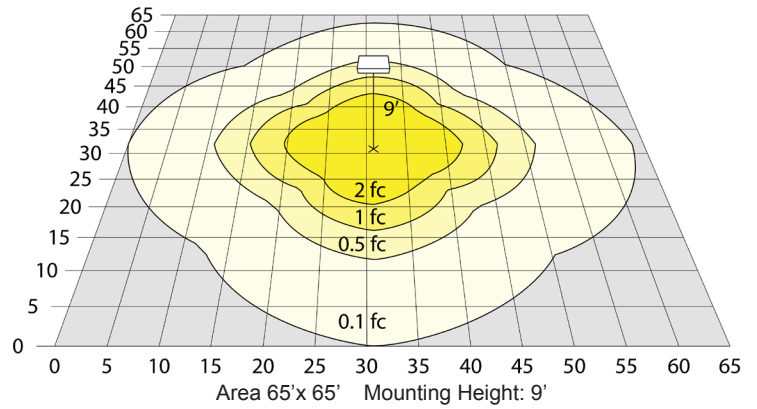
- 45W | 4500LM | CDLX-MD-15-45W-30K
- 45W | 4900LM | CDLX-MD-15-45W-40K
- 45W | 5100LM | CDLX-MD-15-45W-50K
- 80W | 9500LM | CDLX-LG-30-80W-30K
- 80W | 9600LM | CDLX-LG-30-80W-40K
- 80W | 9650LM | CDLX-LG-30-80W-50K



**Photometrics:** CDLX-SM-5-25W



BUG Rating: B1-U2-G1



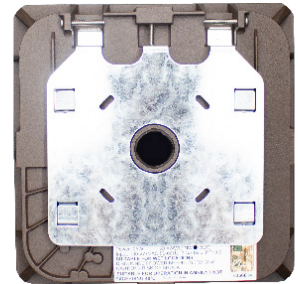
**Other Views:**



Side View



Front View



Back View

**Performance Table:** CDLX-SM-5-25W

MODEL NO.	Wattage	Voltage	Lumens	Color Temp.	BUG Rating	LPW
CDLX-SM-5-25W-30K	5W	120~277V	635LM	3000K 4000K 5000K	B1-U2-G1	120
			650LM			
			670LM			
CDLX-SM-5-25W-40K	10W		1350LM			
			1400LM			
			1450LM			
CDLX-SM-5-25W-50K	15W		2000LM			
			2050LM			
			2150LM			
CDLX-SM-5-25W-50K	25W	2850LM				
		2950LM				
		3000LM				

# Sample Ordering

**Model    Size    Min.    Max.Wattage Color Temp.**

CDLX - SM - 5 - 25W -

30K = 3000K  
40K = 4000K  
50K = 5000K

## Factory Installed Options

Blank = No Option For Factory-Instalaeed  
 OPT-EM-FM1INT = INTERNAL EMERGENCY BACKUP BATTERY  
 OPT-SEN-2MD-35 = PROGRAMMABLE MICROWAVE BI-LEVEL SENSOR  
 OPT-PC-B = PHOTOCCELL  
 OPT-CLR-95 = C COLOR PAINT  
 WEC-3RC = OPTIONAL REMOTE CONTROL  
 OPT-TRS-T20 = TAMPER RESISTANT SCREW

## SENSOR AND REMOTE CONTROL OPTIONS



OPT-EM-FM1INT



WEC-3RC

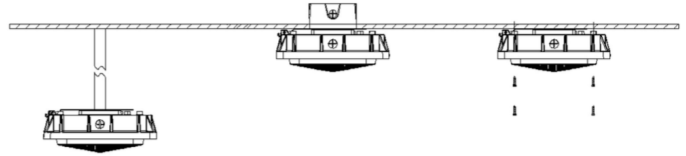


OPT-PC-B



OPT-SEN-2MD-35

## MOUNTING OPTIONS



## Example:

1. CDLX-SM-5-25W-50K
2. CDLX-SM-5-25W-50K  
WEC-3RC

(CDLX 25W 5000K fixture 120V-277V)

(CDLX 25W 5000K fixture 120V-277V)  
(Remote Control)