

DESCRIPTION

The EUX series is a UL924 solution for architectural exit applications. The universal mount housing and universal lens kit enable field configuration for any application. The ordering and installation processes are greatly simplified to eliminate call backs and reduce contractor costs. Fixture options include housing color, red or green letters and self-diagnostics (standard on self-powered). The long life nickel cadmium battery and 5 year warranty eliminate maintenance concerns. Mullion mount, two circuit and fire alarm interface are also available.

Catalog #		Type
Project		
Comments		Date
Prepared by		

SPECIFICATION FEATURES

Electronics

- Dual Voltage Input, 120/277 VAC, 60 Hz
- EZ key external battery disconnect
- 10°C to 40°C (50°F to 104°F) operating range
- Self-Diagnostic System option
- Long life LED light source
- Fully recharged in 24 hours
- Solid-state Voltage Limited Charger
- Solid-state Switching
- Brownout Circuit
- Low-Voltage Disconnect
- Overload/Short Circuit Protection
- Test Switch/Power Indicator Light
- Photocell Test Switch (requires accessory laser for activation)
- Two circuit (-2C) option available for AC only
- Fire alarm interface (FAI) option available for self-powered

Battery

- Sealed nickel cadmium
- Maintenance free
- 24 hour full recharge time

Housing Construction

- All aluminum housing
- All mounting options are standard: surface, recessed, end, ceiling and wall
- Available in brushed aluminum, white or black
- Halo Got Nail hangar bars included for recessed applications
- Convenient 1/2" knockouts on top and end of fixture
- Mullion mount option available for all versions (-MUL)

Trim/Lens for Universal

- High impact acrylic panel
- Available with red or green letters
- Single and double sided lenses included
- Clear, mirror insert and white

- insert options included
- Field installed and NFPA 101 compliant chevron directional indicators included
- No Tools required for "snap-in" installation
- Pre-specified chevron lens kits available for an enhanced aesthetic.

Trim/Lens Kit for Single or Double

- High impact acrylic panel
- Available with red or green letters
- Clear, mirror insert, and white insert options included
- Field configurable for single (61,71) or double (62,72) sided
- Field installed and NFPA 101 compliant chevron directional indicators included
- No tools required for "snap-in" construction

Warranty

- Fixture: 5-year
- Battery: 7-year pro-rata



EUX SERIES

EDGE LIT EXIT
SELF POWERED EMERGENCY
LED LAMPS
UNIVERSAL EXIT
EXIT LIGHTING

ORDERING INFORMATION

Series	Face options	Exit Color	Housing Color	Options	Examples
EU6 = AC only	_ = universal 1 = single face 2 = double face	R = Red G = Green	_ = brushed aluminum WH = white BK = black	_ = none 2C = two circuit	EU6R, EU61RWH EU6G, EU6GBK EU6R-2C, EU62GWH2C
Series	Face options	Exit Color	Housing Color	Self-diagnostics	Examples
EU7 = self-powered LED	_ = universal 1 = single face 2 = double face	R = Red G = Green	_ = brushed aluminum WH = white BK = black	_ = none SD = self-diagnostics	EU7R, EU7G EU71R, EU71G EU7RSD, EU72WHSD EU7GSD, EU7GBKSD

EU6FAI = Fire alarm interface module (ordered separately; field installed)
- MUL = mullion mount (inverted sign) option. Add "-MUL" as a suffix

ENERGY DATA

LED Exits - Red

Input Power:
120V = 0.9W
277V = 1.1W

Input Current (Max.):

120V = 0.08A
277V = 0.08A

Power Factor:

120V = 0.11
277V = 0.08

LED Exits - Green

Input Power:
120V = 1.3W
277V = 1.5W

Input Current (Max.):

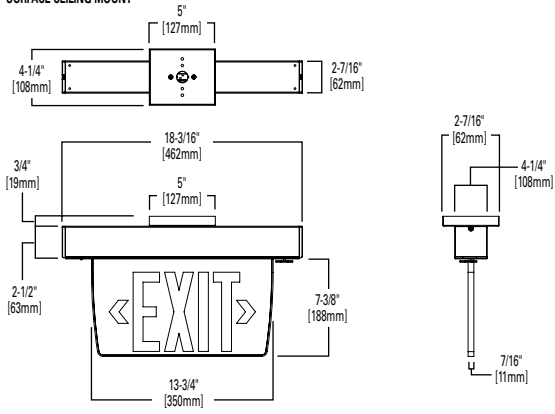
120V = 0.08A
277V = 0.08A

Power Factor:

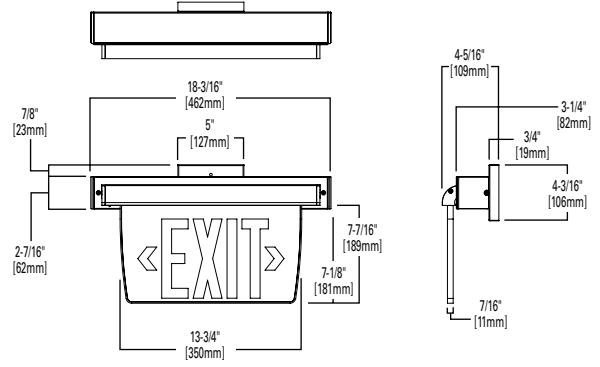
120V = 0.2
277V = 0.1

DIMENSIONS

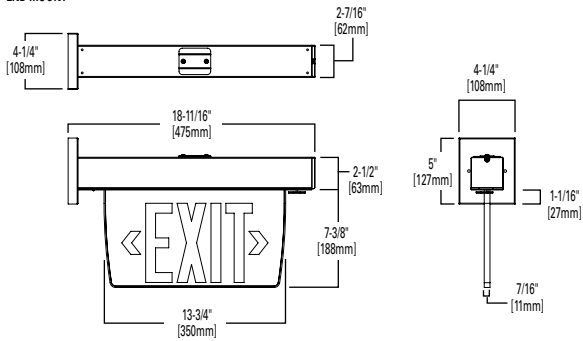
SURFACE CEILING MOUNT



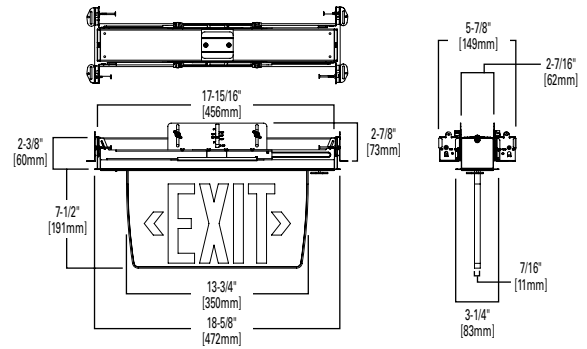
SURFACE WALL MOUNT



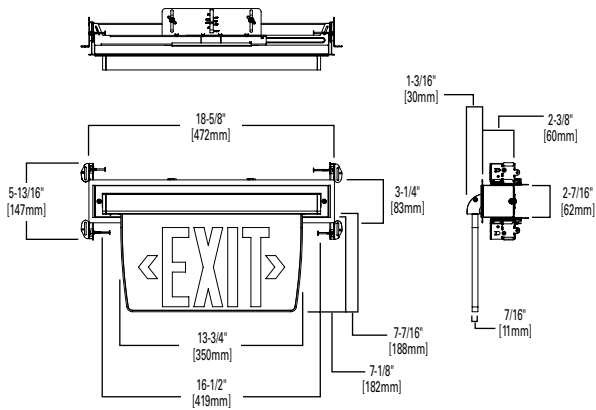
END MOUNT



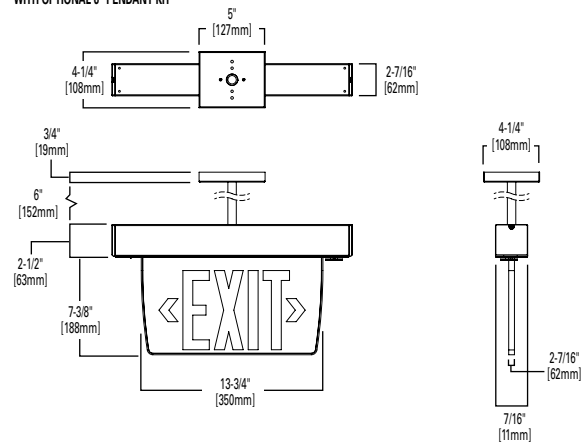
RECESSED CEILING MOUNT



RECESSED WALL MOUNT



WITH OPTIONAL 6" PENDANT KIT



TECHNICAL DATA

Lamps

Optimized for energy efficiency and aesthetic appearance, the EUX series Exit uses super bright, long life LED lamps to illuminate the exit lens.

Housing

Die cast and extruded aluminum housing that mounts in any application. Available in white, black or brushed aluminum finishes. Housing has conduit knockouts on top and side for easy AC wiring connections. Fully adjustable Halo Got Nail hangar bars make recessed installation easy. EUX is fully compatible with grid or hard ceilings as well as 2 x 4 wall constructions.

Trim/Lens

The EUX lens kit is truly universal and includes the materials needed to field construct all options. The high-impact, clear acrylic lens panel comes with three pieces to allow configuration of single or double sided options on the job site. In addition to the clear option, both mirror and white inserts are standard, along with NFPA 101 compliant chevrons. The lens installation requires no tools and snaps easily into place.

Pre-specified chevron lens kits (arrow right/left, double arrow) are also available as an option. This kit also includes white and mirror inserts, is fully NFPA compliant and requires no tools for installation. Single and double sided configurations can only support one or two sided - not both.

EZ Key Power Disconnect (self-powered only)

The Patented EZ key is an external battery disconnect that allows the product to be shipped with the battery connected internally. This prevents battery drain during the construction cycle to insure that the battery isn't damaged and is fully charged for inspection. EZ Key also saves the labor of internally connecting the battery after construction is complete.

Solid-State Charger (self-powered only)

Supplied with a 120/277 VAC, voltage regulated solid-state charger. Immediately upon restoration of AC current after a power failure, the charger provides a high charge rate. Solid-state circuitry recharges the battery following a power failure in accordance with UL 924.

Brownout Circuit (self-powered only)

The brownout circuit on Sure-Lites' exits monitors the flow of AC current to the exit and activates the emergency lighting system when a predetermined reduction of AC power occurs. This dip in voltage will cause most ballasted fixtures to extinguish causing loss of normal lighting even though a total power failure has not occurred.

Solid-State Transfer (self-powered only)

The EUX Series exit incorporates solid state switching which eliminates corroded and pitted contacts or mechanical failures associated with relays. The switching circuit is designed to detect a loss of AC voltage and automatically energizes the LED lamps. Upon restoration of AC power, the emergency circuit will switch off and the charger will automatically fully recharge the battery within 24 hours.

Test Switch/Power Indicator Light (self-powered only)

Conveniently located combination Test Switch/Power Indicator Light allows for manual verification of proper operation of the transfer circuit and emergency lamps.

Photocell Test Switch

Allows verification of proper operation of the transfer circuit and emergency lamps with a laser pointer (laser is sold as an accessory). The emergency lamps will test for 30 seconds when activated.

Self-Diagnostics

The self-diagnostic software will automatically perform all tests required by UL924, and NFPA101. The system indicates the status of the emergency light at all times using the LED indicator. A 90 minute battery power (emergency mode) simulation test will occur once every 12 months. A 30 second battery power simulation test will occur every 30 days. The Solid-State microprocessor based system has the ability to accurately detect and warn of system failures, plus it incorporates all of the standard electronic features that sets Sure-Lites apart from its competition. Self diagnostic software automatically performs all testing required by the NFPA 101 Life Safety Code and systematically calibrates itself in the field, reducing installation labor and eliminating manual calibration errors.

Sealed Nickel Cadmium Battery (self-powered only)

Sure-Lites sealed nickel cadmium batteries are maintenance-free with a life expectancy of 7 years. The sealed rechargeable nickel cadmium battery offers high discharge rates and stable performance over a wide range of temperatures.

"2C" (AC Only)

The "2C" Option enables the Exits to operate per the requirements of UL 924 when connected simultaneously to both normal and emergency power circuits (two circuit operation—UL Category FTBR—Emergency Lighting and Power Equipment). The "2C" Option alters the standard Exit such that it complies with and is UL Listed under the FTBR Category. This option should only be used for exits which are intended to be connected simultaneously to normal and emergency power circuits, but cannot support two hot inputs. Only one of the normal or emergency circuits can be powered. If both are powered simultaneously, it will make the Exit inoperable. Both circuits have universal 120/277 VAC standard.

Warranty

All Sure-Lites' products are backed by a firm five-year warranty against defects in material and workmanship. Maintenance-free, longlife, sealed nickel cadmium batteries carry a seven-year pro-rata warranty.