

DESCRIPTION

The Sure-Lites CU2-LED Emergency Light is designed to reduce egress system cost and maintenance as well as improve reliability. Key features include long life LED's, proprietary optics, and a nickel cadmium battery. The patented easy hang feature reduces installation time and cost.

Catalog #		Type
Project		
Comments		Date
Prepared by		

SPECIFICATION FEATURES

ELECTRICAL

- Dual Voltage Input AC, 60Hz
- 120/240/277 V
- Brownout circuit
- Low voltage disconnect
- Overload / Short Circuit protection
- 3.6V Battery back-up

HOUSING CONSTRUCTION

- Components injection molded, color stable, high impact thermoplastic
- White or black textured finish
- EZ Hang feature facilitates fast installation
- Suitable for ceiling or wall mount applications
- Universal J-box mounting pattern
- Keyhole mounting slots
- Aesthetically designed with thin profile

BATTERY

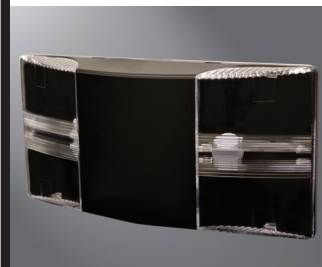
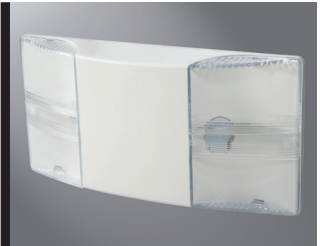
- Sealed Nickel Cadmium
- Full Recharge Time,
 - 24 hours (max.), 120/277V
 - 48 hours, 240V
- 10°C to 40°C (50°F to 104°F)

WARRANTY

- Five-year warranty

CODE COMPLIANCE

- UL924 Listed
- Damp Location
- Life Safety NFPA 101
- NEC/OSHA
- Most State & Local Codes



CU2-LED

LED Emergency Light

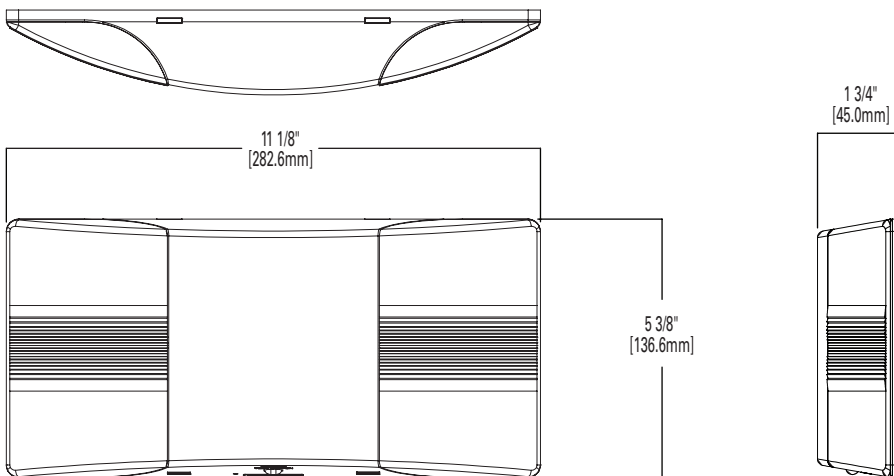
**LED Emergency Light
Nickel Cadmium
Battery
EZ Hang**

HOW TO SPECIFY

Sure-Lites LED emergency light with nickel cadmium battery and Patented EZ hang installation feature.

DIMENSIONS

CU2-LED



ORDERING INFORMATION

SAMPLE NUMBER: CU2-LED

Series	Battery	Color
CU2-LED	__=NiCad	__=White BK=Black

TECHNICAL DATA

Mechanical Housing

All components are injection molded with a color stable, high impact thermoplastic resin. The surface is textured to improve aesthetic appearance. The housing construction is designed with snap-fit components and reinforcement ribs to provide maximum strength at minimum installation effort. The mounting hole pattern is universal to junction box requirements and is suitable for both wall and ceiling mount applications.

EZ Hang – Mounting Feature

The hands-free EZ Hang feature allows the installer to hang the emergency light face from the back plate in order to easily and efficiently make the power connections.

Low Voltage Disconnect

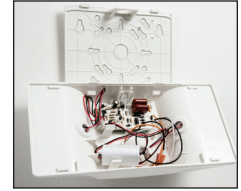
When the battery's terminal voltage falls, the low voltage circuitry disconnects the lighting load. The disconnect remains in effect until normal utility power is restored preventing deep battery discharge.

Brownout Circuit

The brownout circuit on the CU2-LED emergency light monitors the flow of AC current to the unit and activates the emergency light heads when a predetermined reduction of AC power occurs.

Warranty

CU2-LED units are backed by a five-year warranty on the fixtures.



EZ Hang