

DESCRIPTION

The Sure-Lites SRPA LED remote series reduces overall cost and design time for a UL924 compliant egress system. Key features include an architectural appearance to improve overall aesthetics; an LED source to eliminate lamp maintenance; 29 feet of egress coverage to reduce the number of fixtures required; a forward throw optic, 4.8 VDC through 6 VDC input voltage, -30°C to 55°C (-22F to 131F) temperature rating and a UL 924 wet location rating to maximize design flexibility.

Catalog #		Type
Project		
Comments		Date
Prepared by		

SPECIFICATION FEATURES

Electrical

- 4.8V through 6V input voltage
- Universal polarity wiring
- 100 lumens/head
- 1.75 Watts/LED head;
3.5 Watts total

Housing Construction

- Components injection molded, color stable, high impact polycarbonate
- White, black, silver, or bronze textured finish
- Snap-fit construction to facilitate fast installation
- Suitable for wall mount applications
- Universal J-box mounting pattern
- Keyhole mounting slots
- Aesthetically designed with a thin profile
- Sealed and gasketed for Wet Location use

Environmental

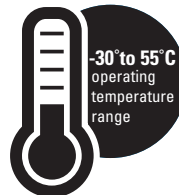
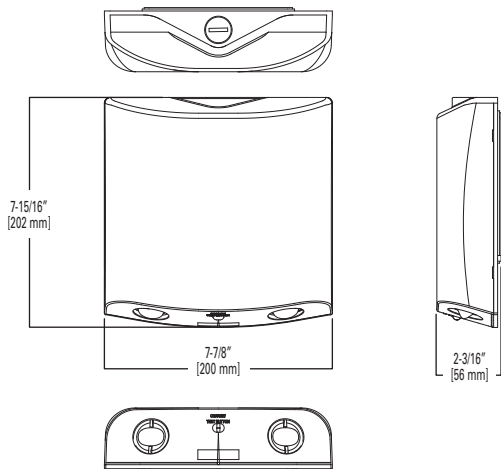
- -30°C to 55°C (-22F to 131F) operating temperature range
- For indoor or outdoor use

Warranty

- Five-year warranty

Code Compliance

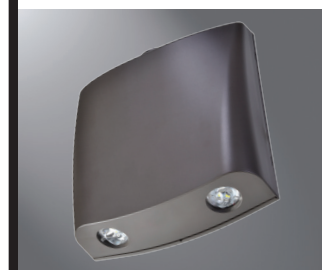
- UL924 Wet Location Listed
- Life Safety NFPA 101
- NEC/OSHA
- Most State & Local Codes



White



Black



Bronze



Silver

Emergency Light SRPA

LED Emergency Remote
Wet Location
AccuLED Optic

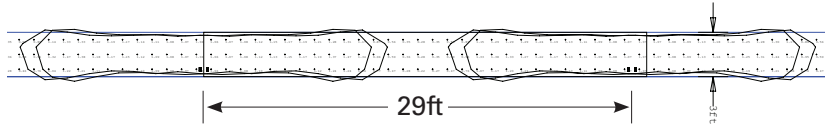
ORDERING INFORMATION

SAMPLE NUMBER: SRPA

SR Series	Material	Arch	Spacing	Color
SR=Sure-Lites Remote	P=polycarbonate	A=architectural	29 feet	_=Silver BZ=Bronze BK=Black WH=White

PHOTOMETRY

SRPA29



X	Y	Z	Orient	Tilt	Roll
-0.25	0.5	7.5	90	7	1
0.25	0.5	7.5	90	7	-1
28.75	0.5	7.5	90	7	1
29.25	0.5	7.5	90	7	-1
57.75	0.5	7.5	90	7	1
58.25	0.5	7.5	90	7	-1
-29.25	0.5	7.5	90	7	1
-28.75	0.5	7.5	90	7	-1

***The "Rule of Thumb" spacing guidelines are designed to achieve 1 foot-candle average and 0.1 foot-candle minimum with a 40:1 maximum/minimum ratio. The corridor used is 100 feet long, 9 foot ceiling with a 6 foot wide walkway and 3 foot path of egress. The reflectances are 80% ceiling, 50% walls and 20% floors. The fixture mounting height is 7.5 feet. Cooper Lighting Solutions assumes no responsibility for local requirements or specific project variables. This is a guideline to be used as a design aid, not as guarantee of any code compliance.

TECHNICAL DATA

AccuLED Optics

The AccuLED precision engineered optics display sharp cutoffs and oval light pattern, which provide a clear path of egress per UL924 standards. The efficient optical design increases spacing distance between units, while providing evenly diffused light pattern throughout the egress path for both 1 foot candle average and 0.1 ft candle minimum. The lens swivel feature within the AccuLED optic provides the opportunity of forward-throw of egress lighting.

Mechanical Housing

All components are injection molded with a color stable, high impact polycarbonate resin. The surface is textured to improve aesthetic appearance. The housing construction is designed with snap-fit components and reinforcement ribs to provide maximum strength at minimum installation effort. The mounting hole pattern is universal to junction box requirements and is suitable for wall mount applications.

EZ Hang – Mounting Feature

The hands-free EZ Hang feature allows the installer to hang the emergency light face from the back plate in order to easily and efficiently make the power connections.

Warranty

The SRPA Remote series is backed by a five-year warranty on the fixtures.