

DESCRIPTION

The SELMTG60R5SD is an Architectural grade, recessed, T-Grid mounted emergency light. The 300 lumen LED source will cover up to 60 feet resulting in less total fixtures required. Also, the adjustable recessed heads eliminate the traditional unsightly emergency fixture look. The SELMTG60R5SD series has 5 watts of remote capacity which can create an additional 50 feet of emergency egress coverage. This product is UL924 listed and meets both City of Chicago and NYC construction requirements.

Catalog #		Type
Project		
Comments		Date
Prepared by		

SPECIFICATION FEATURES

ELECTRICAL

- Dual Voltage Input
120/277 VAC, 60Hz
- EZ Key external battery disconnect
- Brownout circuit
- Low-voltage disconnect
- Overload / Short Circuit protection
- 4.8V Battery back-up
- Minimum 90 minute runtime
- LED source with 300 lumens of output
- Self-diagnostics standard with Laser test capability

HOUSING CONSTRUCTION

- Sheet metal housing
- White or black surface finish
- Universal J-box mounting pattern
- Knockouts for conduit entry

BATTERY

- Sealed Nickel Cadmium
- Full Recharge Time, 24 hours (max.)
- 0° to 40°C (32° to 104°F)
- 5 watts of remote capacity

WARRANTY

- Five-year fixture warranty
- Prorated seven-year battery warranty

CODE COMPLIANCE

- UL924 Listed
- Damp Location
- Life Safety NFPA 101
- NEC/OSHA
- Most State & Local Codes
- City of Chicago Compliant
- NYC Compliant
- California Energy Code Compliant



SELMTG60R5SD

SELMTG Series Emergency Light

LED Emergency Light
Metal Housing
Adjustable Optic
SELM
Remote Capacity

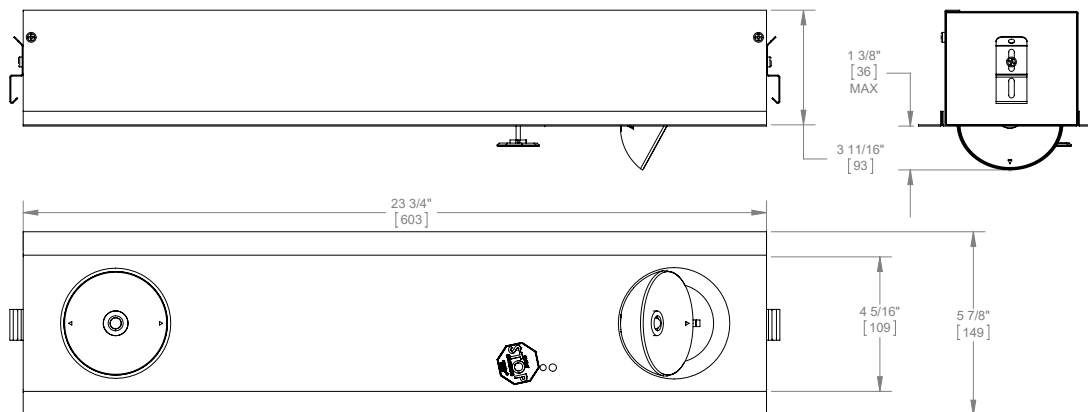
City of Chicago Compliant
New York City Compliant



FEATURE / BENEFITS

Feature	Benefit
Recessed heads	No ceiling disruption; clean aesthetic
LED source with nickel cadmium battery	No maintenance
Self-diagnostics	Reduced labor for NFPA and OSHA required testing
300 lumen LED source	Up to 60 feet of emergency egress coverage
5 watts of remote capacity	Up to 50 feet of additional coverage

DIMENSIONS



ORDERING INFORMATION

SAMPLE NUMBER:

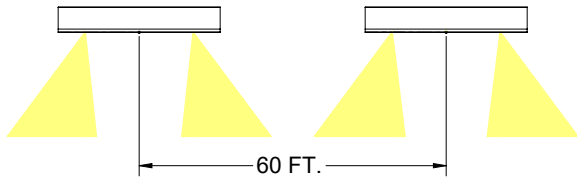
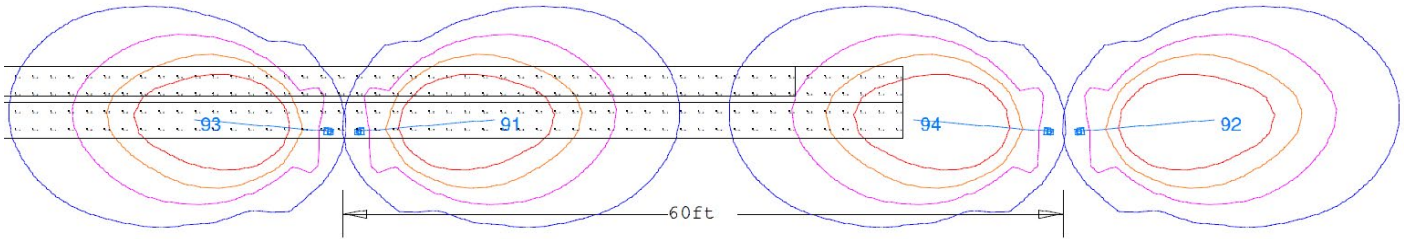
Series	Housing	Spacing	Remote Capacity	Color	Self-diagnostics	Catalog Logic
SELM = SureLites emergency, metal housing	TG = grid ceiling	60 = 60 Feet	R5 = 5 Watts of remote capacity	_ = white BK = black	SD = self-diagnostics (standard)	SELMTG60R5SD SELMTG60R5BKSD

ENERGY DATA

	Input Power	Current
120V	1.7W	.25A
277V	1.6W	.21A

PHOTOMETRY

SELMTG60R5SD



X	Y	Z	Orient	Tilt
-0.75	0.5	7.5	175	57
0.75	0.5	7.5	5	57
59.25	0.5	7.5	175	57
60.75	0.5	7.5	5	57
119.25	0.5	7.5	175	57
120.75	0.5	7.5	5	57

Emergency egress coverage; fixture spacing													
Catalog number	Output Lumens	0.1fc minimum; 3 feet wide			0.1fc minimum; 6 feet wide			1.0 fc minimum; 3 feet wide			1.0 fc minimum; 6 feet wide		
		7.5 foot height	12 foot height	20 foot height	7.5 foot height	12 foot height	20 foot height	7.5 foot height	12 foot height	20 foot height	7.5 foot height	12 foot height	20 foot height
SELMTG60R5SD	339	60 Feet	62 Feet	50 Feet	60 Feet	59 Feet	47 Feet	20 Feet	26 Feet	30 Feet	20 Feet	26 Feet	30 Feet

***The "Rule of Thumb" spacing guidelines are designed to achieve 1 foot-candle average and 0.1 foot-candle minimum with a 40:1 maximum/minimum ratio. The corridor used is 100 feet long, 9 foot ceiling with a 6 foot wide walkway and 3 foot path of egress. The reflectances are 80% ceiling, 50% walls and 20% floors. The fixture mounting height is 7.5 feet. Cooper Lighting Solutions assumes no responsibility for local requirements or specific project variables. This is a guideline to be used as a design aid, not as guarantee of any code compliance.

TECHNICAL DATA

LED Heads

All metal formed aluminum lampheads. The die cast metal three dimensional swivel assembly permits approximate aiming adjustment from 80° vertical and 358° rotation. The placement is secured with a lockable pivot mounted on a rotating base ring.

Housing

The rugged 20-gauge die-formed cold rolled steel housing is finished with white corrosion resistant polyester powder coat paint. Cabinet has keyhole mounting slots and knockouts in rear and side for wiring connections and has a universal mounting pattern.

EZ Key – External Power Disconnect

Prevents the battery from cycling during the construction phase and ensures the battery is not drained from power cycling.

Low-Voltage Disconnect

The low-voltage circuitry disconnects the lighting load to protect the battery after run times in excess of the 90-minute UL limit. The disconnect remains in effect until normal utility power is restored preventing deep battery discharge.

Self-Diagnostics

The self-diagnostic software will automatically perform all tests required by UL924, and NFPA101. The system indicates the status of the emergency light at all times using the LED indicator. A 90 minute battery power (emergency mode) simulation test will occur once every 12 months. A 30 second battery power simulation test will occur every 30 days.

Brownout Circuit

The brownout circuit on the SELM series emergency light monitors the flow of AC current to the unit and activates the emergency light heads when a predetermined reduction of AC power occurs.

Warranty

The SELMTG series is backed by a five-year warranty on the fixtures and a 7-year prorated warranty on the battery.



EZ Key

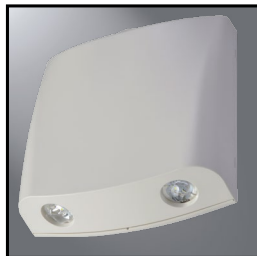


Laser tester

Part Number = LASER
(sold separately)

REMOTE CAPACITY

SELMTG series indoor/outdoor capable remotes								
Series		SRPA	Single Head Remotes			Double Head Remotes		
Catalog number		SRPA29	SRP13 SRM13	SRP25 SRM25	SRP30 SRM30	SRP25D SRM25D	SRP50D SRM50D	SRP60D SRM60D
Watts consumed		3.5	1.25	2.5	4.1	2.5	5	8.2
Catalog number	Remote watts available	# of SRPA29 remotes fixture will power	# of SRP13 SRM13 remotes fixture will power	# of SRP25 SRM25 remotes fixture will power	# of SRP30 SRM30 remotes fixture will power	# of SRP25D SRM25D remotes fixture will power	# of SRP50D SRM50D remotes fixture will power	# of SRP60D SRM60D remotes fixture will power
SELM	5	1	4	2	1	2	1	NA
Coverage		29 feet	52 feet	50 feet	30 feet	50 feet	50 feet	NA



SRPA



SRP



SRPD



SRM



SRMD

SELF-DIAGNOSTIC TESTING OPERATION

The Sure-Lites Self-Diagnostics is continuously monitoring your emergency fixture, and will signal any failure through the 3 color indicator LED.

Initial Operation:

When the unit is first powered up it will go into a 24 hour fast charge and the indicator LED will pulse green. Once the unit has fully charged it will perform a self calibration. After self calibration, the LED will change to steady green indicating the unit is fully charged and float charging the battery to maintain readiness.

Automatic Testing:

The unit will perform a battery capacity, lamp/LED, and charge circuit test every 30 days for 30 seconds. During this time, the indicator LED will change to a steady yellow. It will perform a full battery capacity (90 minute) test once per year. During this time, the indicator LED will change to a blinking yellow.

Manual Testing:

- 10 Second "Installation" test – Press and release the test button once during fast charge (blinking green) to initiate a 10 second quick test. The sign will switch to emergency mode for 10 seconds allowing the installer to verify proper installation of the unit, and the LED indicator will turn solid yellow.
- 30 Second Test - Press and release the test button once during float charge (steady green). The indicator LED will turn steady yellow to indicate the unit is performing a 30 second test of the batteries and lamps/LEDs.
- 90 Minute Test - Press and release the test button a second time during a 30 second test (steady yellow) to change to a 90 minute test. During this test, the LED indicator will change to blinking yellow, and the circuit will perform a full battery capacity, charge circuit, and LED test.
- Canceling Test – Press and release the test button during the 90 minute test (flashing yellow) to return the fixture to its original state (fast charge or float charge)

Laser Test:

The SEL SD products are equipped with a Laser Test function that allows the unit to be manually tested without the need to physically press the test button. Shining a laser pointer in the hole marked "LASERTEST" on the bottom of the unit has the same effect as a press and release of the test button.

Clearing Failure Codes:

- A battery failure (LED two blink red) can be cleared by replacing the battery. Disconnecting the battery and AC power, or performing a full 90 minute discharge will reset the error code, however, it will return if the battery is faulty
- Charge Circuit (LED three blink red) and lamp/LED failure (LED four blink red) will clear when the unit successfully passes a manual or automatic 30 second test.

SELF-DIAGNOSTIC TESTING OPERATIONS

Indicators:

- LED Off - No power to unit, emergency mode.
- LED Steady Green - Unit is fully charged and is float charging the battery to maintain readiness.
- LED Green Pulse - Unit is in a 24 hour fast charge of the battery.
- LED Two Blink Red - Battery has failed a capacity test, or the battery is disconnected. See "Clearing Failure Codes" above.
- LED Three Blink Red - Battery charge circuit has failed. See "Clearing Failure Codes" above.
- LED Four Blink Red - Lamps have burned out, or on an EXIT/Combo, 50% or more of the LEDs have failed. See "Clearing Failure Codes" above.
- LED Steady Yellow - 30 second test or 10 second quick test (Fast Charge only).
- LED Blinking Yellow - 90 minute test.

Maintenance:

None required. Replace the batteries as needed according to ambient conditions. However, we recommend that the equipment be tested regularly in accordance with local codes.

