

**INSTALLATION**

**English**

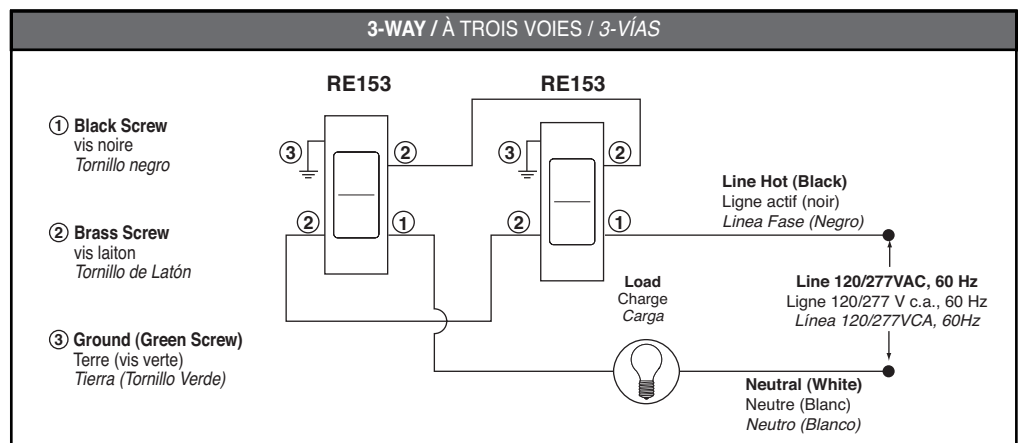
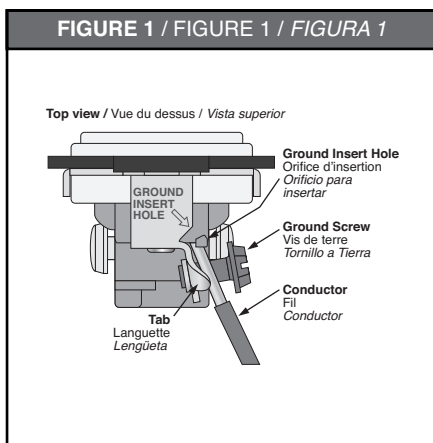
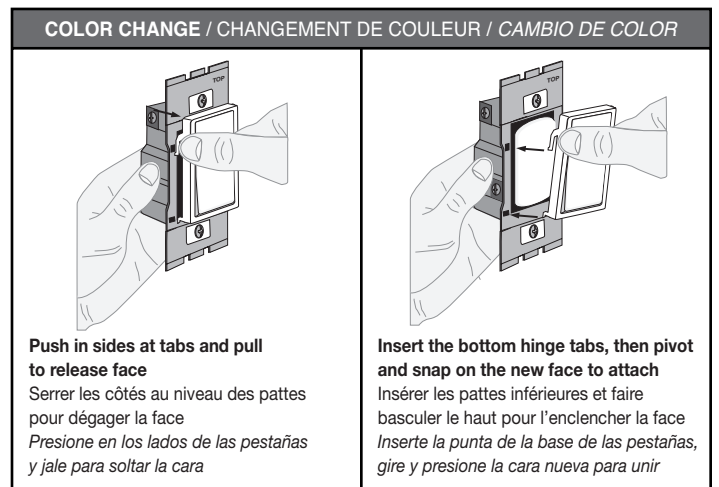
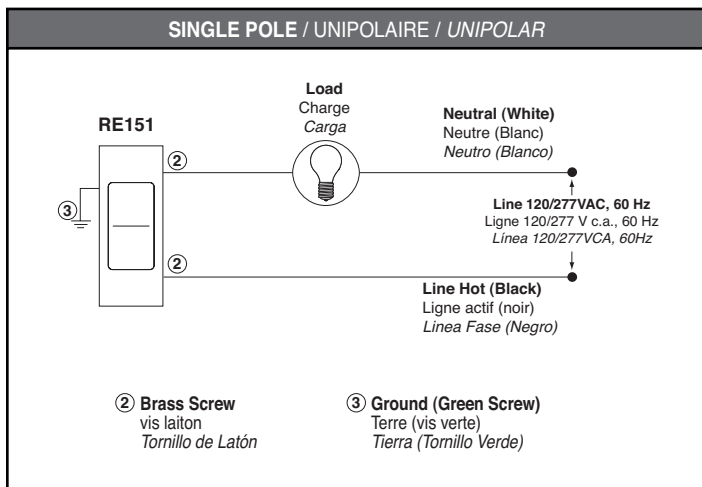
**WARNING:** TO BE INSTALLED AND/OR USED IN ACCORDANCE WITH ELECTRICAL CODES AND REGULATIONS.

**CAUTION:** USE THIS DEVICE WITH COPPER OR COPPER CLAD WIRE ONLY.

**NOTE:** This device uses a self-grounding clip that provides an automatic ground connection only when installed in a properly grounded metal wallbox.

- WARNING:** TO AVOID FIRE, SHOCK, OR DEATH; **TURN OFF POWER AT CIRCUIT BREAKER OR FUSE AND TEST THAT THE POWER IS OFF BEFORE WIRING!**
- Connect wires per appropriate **WIRING DIAGRAM**, using one of the wiring methods below.  
**NOTE:** Quickwire™ terminals accept #14 AWG solid copper wires ONLY!. Back and side wire terminal screws accept up to #12 AWG copper or copper clad wire.
- TO QUICKWIRE™:** Remove insulation per strip gauge on device approx. 5/8" (1.6 cm). Insert straight #14 AWG solid copper wires into round Quickwire™ holes. To replace or rewire after Quickwiring, gently press the tip of a small screwdriver in the release slot and back the wire out gradually.
- TO BACKWIRE:** Remove insulation per strip gauge on device approx. 5/8" (1.6 cm). Insert straight wires under clamps of appropriate terminal screws. Tighten screws firmly.
- TO SIDE WIRE:** Remove insulation approx. 3/4" (1.9 cm). Loop wires clockwise 3/4 turn around terminal screws. Firmly tighten screws over wire loops.
- The **GROUND** terminal on this device may be wired in the traditional side wire method or as follows: Slide wire straight between screw head and tab and insert into hole per **FIGURE 1** (no looping of wire required). Firmly tighten screw over wire.
- Mount device with "TOP" up using long mounting screws.
- Snap Renu™ Screw-less wallplate directly onto device strap with Leviton logo properly oriented.
- Restore power at circuit breaker or fuse. **Installation is complete.**

**NOTE:** Your device may include color options. To change color of the face see **COLOR CHANGE** figures.



**LIMITED 5 YEAR WARRANTY AND EXCLUSIONS**

Leviton warrants to the original consumer purchaser and not for the benefit of anyone else that this product at the time of its sale by Leviton is free of defects in materials and workmanship under normal and proper use for five years from the purchase date. Leviton's only obligation is to correct such defects by repair or replacement, at its option, if within such five year period the product is returned prepaid, with proof of purchase date, and a description of the problem to **Leviton Manufacturing Co., Inc., Att: Quality Assurance Department, 201 North Service Road, Melville, New York 11747**. This warranty excludes and there is disclaimed liability for labor for removal of this product or reinstallation. This warranty is void if this product is installed improperly or in an improper environment, overloaded, misused, opened, abused, or altered in any manner, or is not used under normal operating conditions or not in accordance with any labels or instructions. **There are no other or implied warranties of any kind, including merchantability and fitness for a particular purpose**, but if any implied warranty is required by the applicable jurisdiction, the duration of any such implied warranty, including merchantability and fitness for a particular purpose, is limited to five years. **Leviton is not liable for incidental, indirect, special, or consequential damages, including without limitation, damage to, or loss of use of, any equipment, lost sales or profits or delay or failure to perform this warranty obligation.** The remedies provided herein are the exclusive remedies under this warranty, whether based on contract, tort or otherwise.