

Project: _____

Date: _____

Type: _____

Prepared by: _____



Technical Specifications

Field Adjustable (Wattage)

Field adjustable light output in 3 discrete steps:

2' x 2': 19W/29W/39W (factory default 29W)

2' x 4': 29W/39W/49W (factory default 39W)

UL Listed:

Suitable for dry and damp locations

Dimming:

0-10V, standard down to 10%

Ambient Operating Temperature:

-20°C (-4°F) to 40°C (104°F)

Surge Protection:

2kV

Lifespan:

100,000-hour LED lifespan based on IES LM-80 results and TM-21 calculations

LEDs:

Long-life, high-efficacy, discrete, surface-mount LEDs

Lens:

Frosted polystyrene

Reflector:

Aluminum with high reflectance white finish, optimized for uniform distribution

Housing:

Sheet metal and extruded aluminum

Finish:

White

Mounting:

Recessed into T-grid ceiling. Surface and recessed mounting kits available for drywall ceilings.

IC Rated:

Suitable for direct contact with insulation

Green Technology:

Mercury and UV free. RoHS-compliant components.

Lifespan:

100,000-hour LED lifespan based on IES LM-80 results and TM-21 calculations

Color Stability:

LED color temperature is warranted to shift no more than 200K in CCT over a 5-year period

Color Uniformity:

RAB's range of CCT (Correlated Color Temperature) follows the guidelines of the American National Standard for Specifications for the Chromaticity of Solid State Lighting (SSL) Products, ANSI C78.377-2017

Warranty:

RAB warrants that our LED products will be free from defects in materials and workmanship for a period of five (5) years from the date of delivery to the end user, including coverage of light output, color stability, driver performance and fixture finish. RAB's warranty is subject to all terms and conditions found at rablighting.com/warranty.

*Visit rablighting.com to see which models are DLC listed

**RAB's warranty is subject to all terms and conditions found at rablighting.com/warranty

2' x 2'	19W		29W		39W	
	3500K	4000K	3500K	4000K	3500K	4000K
Lumens	2,406	2,466	3,266	3,355	4,127	4,240
Input Watts	20	20	28	28	37	37
Efficacy (lm/W)	118	122	115	119	112	116
Color Accuracy (CRI)	82	83	82	83	82	82

2' x 4'	29W		39W		49W	
	3500K	4000K	3500K	4000K	3500K	4000K
Lumens	3,926	3,938	4,970	4,991	5,978	6,016
Input Watts	31	30	40	39	48	47
Efficacy (lm/W)	128	132	126	129	124	127
Color Accuracy (CRI)	82	83	82	83	82	83

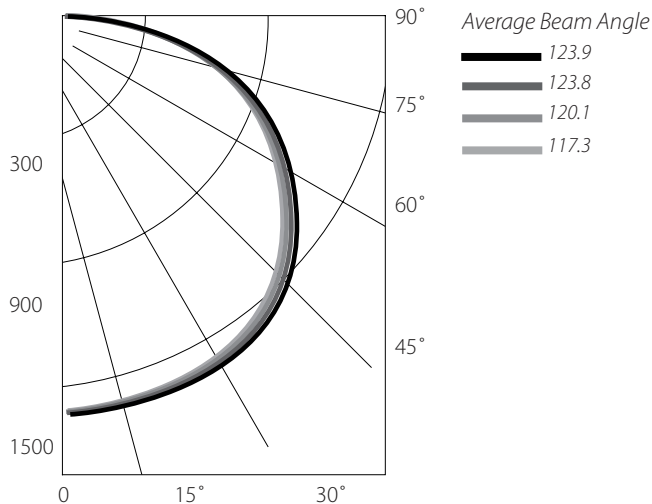
Drivers: Constant Current Class 2, 120-277V, 50/60 Hz

2' x 2'	120V	208V	240V	277V
19W	0.17A	0.10A	0.09A	0.08A
29W	0.25A	0.14A	0.12A	0.11A
39W	0.31A	0.19A	0.17A	0.14A

2' x 4'	120V	208V	240V	277V
29W	0.26A	0.14A	0.12A	0.11A
39W	0.33A	0.19A	0.17A	0.15A
49W	0.41A	0.24A	0.21A	0.19A

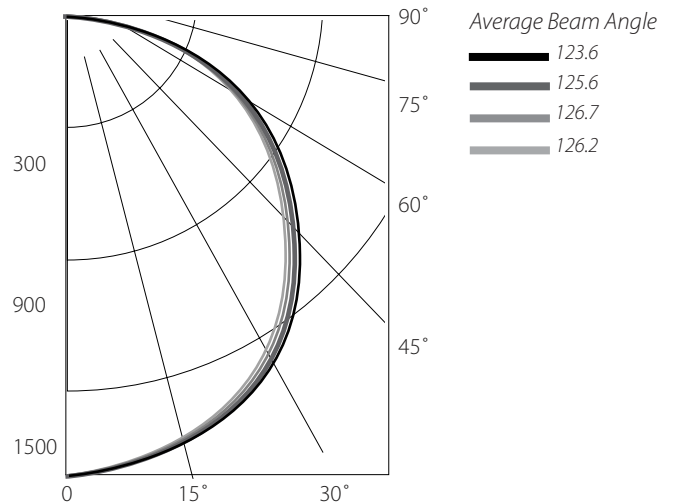
SWISH EDGE 2' x 2'

Photometric Report #DLF1910117



SWISH EDGE 2' x 4'

Photometric Report #DLF1911107



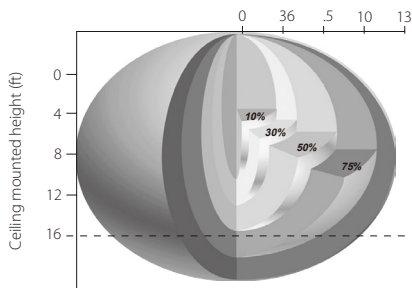
Lightcloud® Controller



Lightcloud® Sensor



Microwave Sensor



Sensor is range adjustable between 10-100%

Networked Controls

- Wireless switching, 0-10V dimming, and power monitoring with a smaller footprint for 3A applications
- Easy setup - simply power on, confirm device connectivity and call 844-LIGHTCLOUD
- Small profile for concealed installations
- Cloud-based management - no software to install or maintain
- Connects to Lightcloud Gateway and other Lightcloud devices
- Connects via a secure, encrypted, and self-healing 2.4 GHz wireless mesh network
- Repeater Mode to extend range of wireless mesh network
- If power to Controller is lost, notification is shown in the Lightcloud application
- If communication is lost, Controller can fall back to a customizable emergency state

Standalone Control

- Completely concealed behind diffused light guide footprint for 3A applications
 - 24-hour daylight monitoring dawn/dusk sensor
 - Tri-level dimming control based upon occupancy (also known as corridor function)
 - 1-10V dimming control method
 - One-touch daylight learning via remote control
 - Zero crossing detection circuit reduces in-rush current and prolongs relay life
 - Loop-in and loop-out terminal for efficient installation
 - Remote sold separately
- Ordering code: MVSREM

Battery Backup

- Powers the fixture for a minimum of 90 minutes in the event of a power failure

Light Loss Factors:

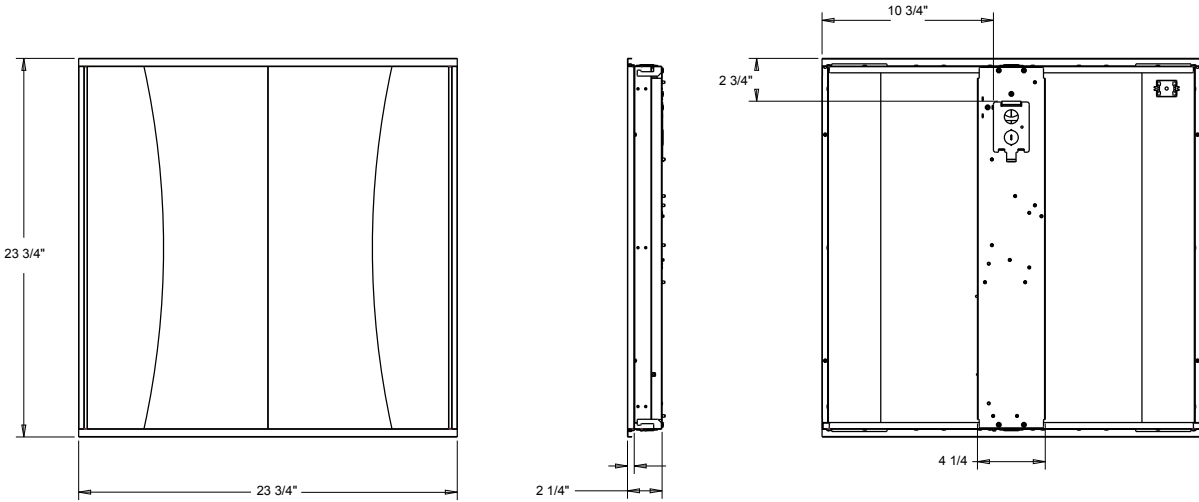
2' x 2'	2' x 4'
19W: 0.42	29W: 0.55
29W: 0.28	39W: 0.41
39W: 0.21	49W: 0.33

Dimensions



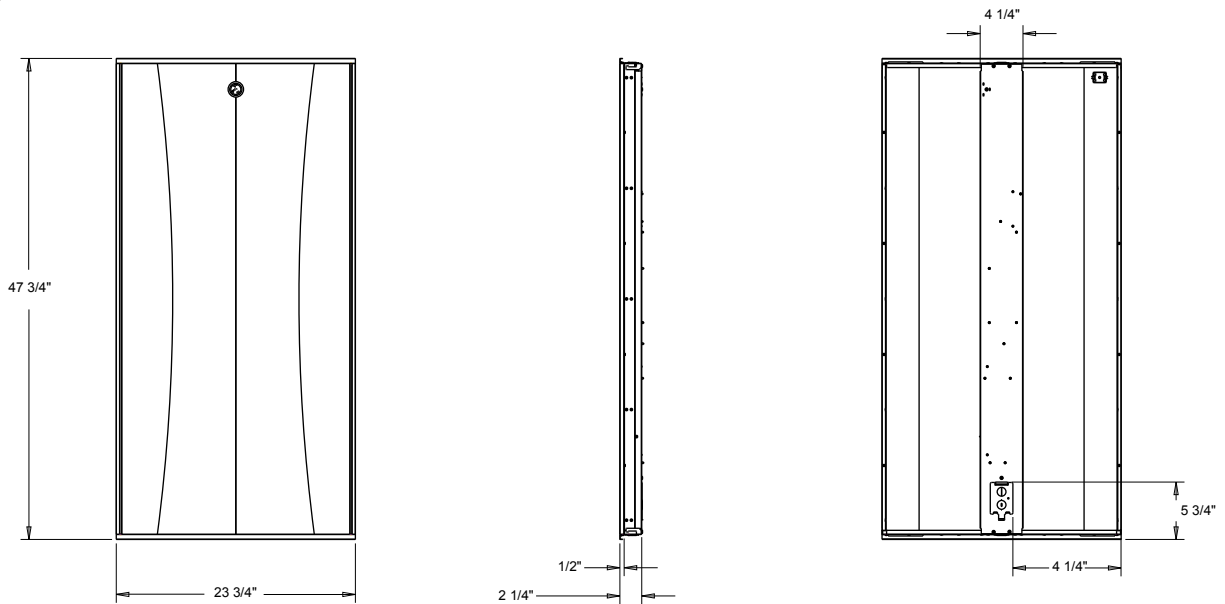
2' x 2'

Weight: 11.05 lbs



2' x 4'

Weight: 19.89 lbs



Ordering Matrix

Product	Size	CCT	Driver	Controls	Options
SWISHFA-EDGE			U		
	2X2 19/29/39W	840 4000K	U 0-10V	Blank	Blank
	2X4 29/39/49W	835 3500K		/MVS No Option	/E2 No Option
				/LC Occupancy Sensor	Battery Backup
				/LCS Lightcloud Controller	