

Retrofitting fluorescent troffers has never been easier.

LED Troffer Retrofit provides a simple, cost-effective upgrade.

TROFFER RETROFIT



Visit rabweb.com
to see which models are
DLC Premium or DLC listed.

RAB

Indoor

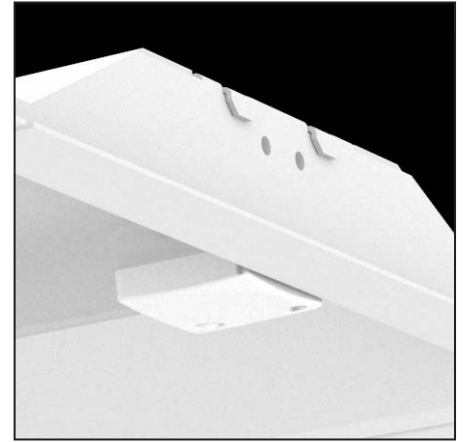
TROFFER RETROFIT



- The Troffer Retrofit can be installed in under 3 minutes by 1 person
- High efficacy, up to 142 lm/W
- Available in 3 sizes and 4 wattages: 2x2 (19W and 29W), 1x4 (19W and 29W), and 2x4 (39W and 49W)
- Frosted polycarbonate lens provides a uniform distribution and reduces glare
- 0-10V dimming standard on all models



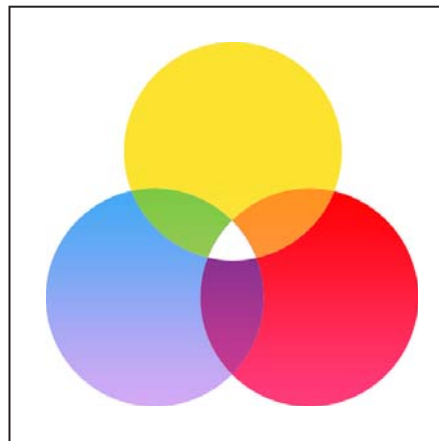
The Troffer Retrofit center-basket design includes a diffused lens that delivers soft, even ambient light.



Increase savings even more with a microwave occupancy sensor so that lights only remain on in occupied areas.



Troffer Retrofit can be installed by just one person in under 3 minutes, drastically reducing labor costs.



A 90 CRI option is available for applications where high color fidelity is critical.



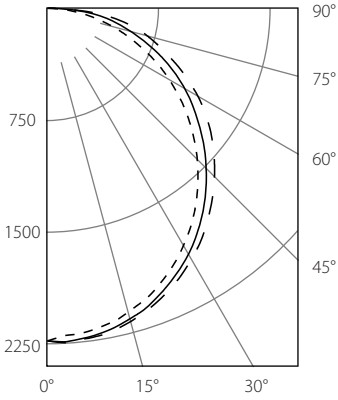
Upgrading to LED not only provides significant energy savings, but also reduces relamping costs with a lifespan 3 times longer than fluorescent tubes.

Photometrics

Specifications

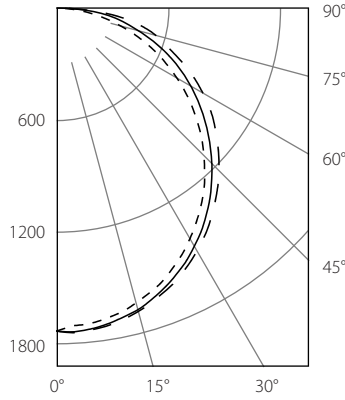
RTLED2x4-49

Photometric Report #RAB03243



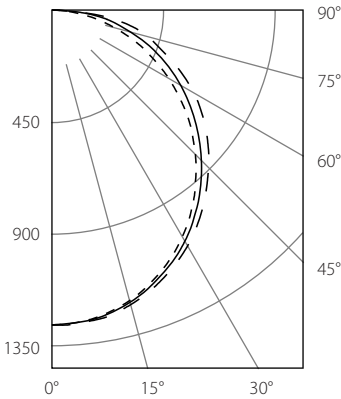
RTLED2x4-39

Photometric Report #RAB03264



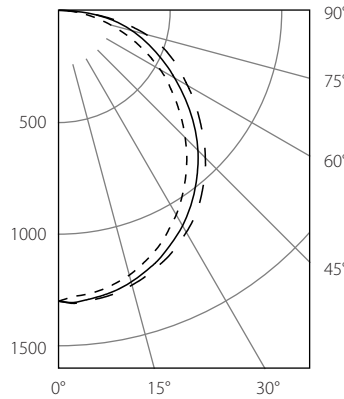
RTLED2x2-29

Photometric Report #RAB03239



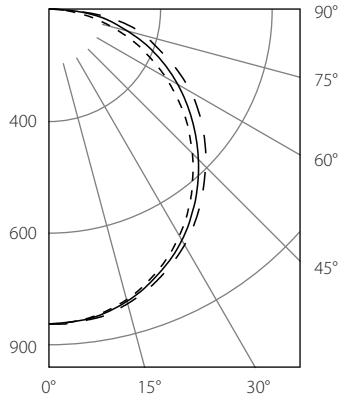
RTLED1x4-29

Photometric Report #RAB03317



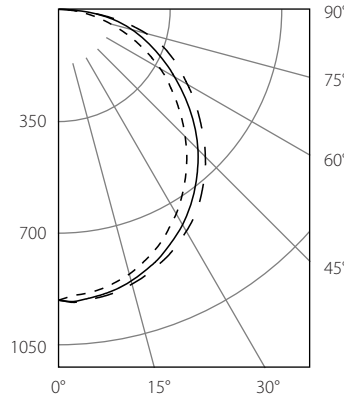
RTLED2x2-19

Photometric Report #RAB03220



RTLED1x4-19

Photometric Report #RAB03313



RTLED2x4-49W

	5000K	4000K	3500K	3000K
Color Temp	5000K	4000K	3500K	3000K
Input Watts	50	49	49	49
Output Lumens	6779	6698	6611	6399
Lumens Per Watt	135	137	135	130
Color Accuracy (CRI)	85	84	84	84

RTLED2x4-39W

	5000K	4000K	3500K	3000K
Color Temp	5000K	4000K	3500K	3000K
Input Watts	40	39	40	40
Output Lumens	5332	5269	4970	4995
Lumens Per Watt	135	135	126	126
Color Accuracy (CRI)	85	84	84	84

RTLED2x2-29W

	5000K	4000K	3500K	3000K
Color Temp	5000K	4000K	3500K	3000K
Input Watts	29	29	29	29
Output Lumens	3847	3801	3653	3604
Lumens Per Watt	133	133	124	124
Color Accuracy (CRI)	85	84	84	84

RTLED1x4-29W

	5000K	4000K	3500K	3000K
Color Temp	5000K	4000K	3500K	3000K
Input Watts	30	29	29	29
Output Lumens	4038	3991	3846	3706
Lumens Per Watt	137	138	130	129
Color Accuracy (CRI)	85	84	84	84

RTLED2x2-19W

	5000K	4000K	3500K	3000K
Color Temp	5000K	4000K	3500K	3000K
Input Watts	19	19	19	19
Output Lumens	2537	2507	2365	2377
Lumens Per Watt	131	131	122	122
Color Accuracy (CRI)	85	84	84	84

RTLED1x4-19W

	5000K	4000K	3500K	3000K
Color Temp	5000K	4000K	3500K	3000K
Input Watts	19	19	19	19
Output Lumens	2733	2701	2548	2419
Lumens Per Watt	142	142	132	125
Color Accuracy (CRI)	85	84	85	83

Ordering information

Product Family	Size	Wattage	Color Temperature	Finish	CRI	Dimming Driver	Options	Bulk Qty
RTLED				W		/D10		
	1x4	19 19W (1x4, 2x2)	Blank 5000K		Blank 80 CRI	Blank	No Options	Blank Individual
	2x2	29 29W (1x4, 2x2)	N 4000K		/HC 90 CRI*	/LC	Lightcloud® Controller	BULK Comes in qty6**
	2x4	39 39W (2x4)	YN 3500K			/E2	Battery Backup	
	49	49 49W (2x4)	Y 3000K			/MVS	Microwave Sensor	
						/MVS/E2	Microwave Sensor and Battery Backup	

* 4000K only

** BULK version not available with /LC, /E2, /MVS, /MVS/E2

UL: Suitable for damp locations.

LEDs: Long-life, high-efficiency surface mounting LEDs

Lifespan: 100,000-hour LED lifespan based on IES LM-80 results and TM-21 calculations.

Driver (49W 2x4): Constant Current, Class 2, 120V-0.41A, 208V-0.24A, 240V-0.21A, 277V-0.18A

Driver (39W 2x4): Constant Current, Class 2, 120V-0.33A, 208V-0.20A, 240V-0.17A, 277V-0.15A

Driver (29W 1x4 & 2x2): Constant Current, Class 2, 120V-0.24A, 208V-0.15A, 240V-0.13A, 277V-0.11A

Driver (19W 1x4 & 2x2): Constant Current, Class 2, 120V-0.16A, 208V-0.10A, 240V-0.09A, 277V-0.08A

Ambient Temperature: Suitable for use up to 40°C (104°F) ambient temperatures

Housing: Steel sheet metal

Lens: Polycarbonate

Reflector: High-reflectance, powder-coated finish, optimized for uniform distribution

Mounting: Recessed ceiling

Finish: Formulated for high-durability and long lasting color

Color Stability: LED color temperature is warranted to shift no more than 200K in CCT over a 5 year period

Color Uniformity: RAB's range of CCT (Correlated Color Temperature) follows the guidelines of the American National Standard for Specifications for the Chromaticity of Solid State Lighting (SSL) Products, ANSI C78.377-2017.

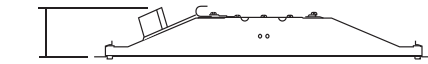
Green Technology: Mercury and UV-free. RoHS-compliant components.

IESNA LM-79 & LM-80 Testing: RAB LED luminaires have been tested by an independent laboratory in accordance with IESNA LM-79 and LM-80.

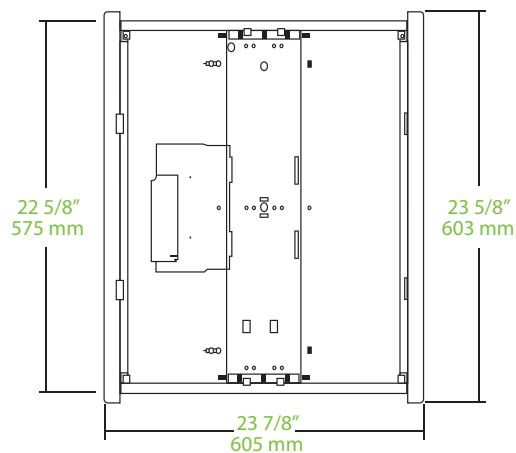
Dimensions & Weight

2x2

Weight: 13.4 lbs.



2 5/8"
67.3 mm



22 5/8"
575 mm

23 7/8"
603 mm

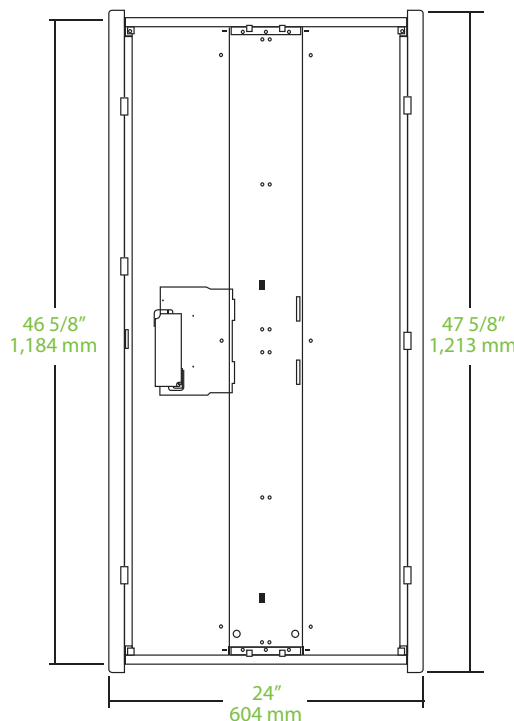
23 7/8"
605 mm

2x4

Weight: 22.6 lbs.



2.5/8"
67.3 mm



46 5/8"
1,184 mm

47 5/8"
1,213 mm

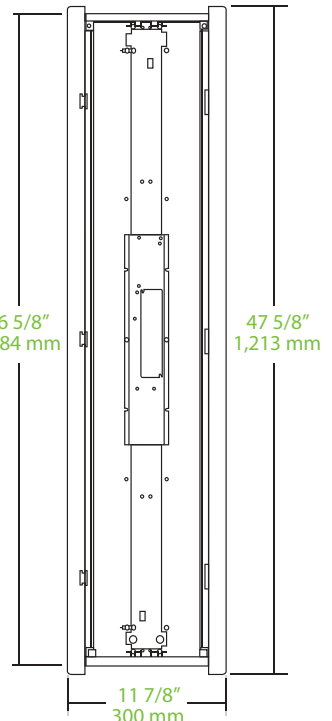
24"
604 mm

1x4

Weight: 12.3 lbs.



2 5/8"
69 mm



46 5/8"
1,184 mm

47 5/8"
1,213 mm

11 7/8"
300 mm