

PL Hybrid Type A+B - Field Adjustable



PLC: 8.5W Horizontal



PLC: 8.5W Vertical

Selectable CCT, 2PIN LED PLC Replacements, Hybrid, UL Type A/B

PROJECT:

DATE:

TYPE:

PREPARED BY:



KEY FEATURES

- Field Adjustable 3 CCTs in 1 SKU (3000K, 3500K, 4000K)
- Replaces 18W/26W/32W G24d & g24q CFL Lamps
- Plug and Play on existing Magnetic CFL ballast or can be wired directly to line Voltage without need for an external driver or ballast
- Instant-on with no warmup, unlike CFLs
- Lasts 5X longer than compact fluorescent lamps
- Consumes up to 1/3 the energy of conventional CFL
- Base rotates, direct light where needed on Horizontal models
- Compatible with G24q/Gx24q (4-pin CFL) installations
- 50,000-hour lifespan
- Environmentally friendly, no mercury used
- UL Listed, UL Classified, DLC
- Rated for use in open fixtures in dry or damp locations
- Non-Dimmable
- 5 Years No Compromise Warranty



PERFORMANCE

Catalog Number	Burning Position	Equivalency	Input Wattage	Lumen	Efficacy	Color Temperature	CRI	L70 Lifespan
PLC-8.5-H-8FA-HYB	Horizontal	26W/32W 2PIN CFL G24d & G24q	8.5	960/1020/1050	113/120/123	3000K/3500K/4000K	80	50,000
PLC-8.5-V-8FA-HYB	Vertical	26W/32W 2PIN CFL G24d & G24q	8.5	1100/1120/1150	129/132/135	3000K/3500K/4000K	80	50,000

TECHNICAL SPECIFICATIONS

CONSTRUCTION

Product Type
Compact (CFL replacement)

Endcap Finish
White

Lens Finish
Frosted

Bulb Shape
PLC-H | PLC-V

Base Type
2-Pin G24d

Beam Angle
PLC-H: 110°
PLC-V: 120°

Enclosure Material
Polycarbonate

ELECTRICAL

THD
≤20%

Power Factor
>0.9

Input Voltage
Type B: 120-277V
Type A: Dependent on the ballast

Operating Frequency
50/60Hz

Operating Temperature
-20°C to 45°C

INSTALLATION

Installation Method: UL Type A with Magnetic ballasts or UL Type B

Note
All values are typical (tolerance +/- 10%)

PL Hybrid Type A+B - Field Adjustable



TECHNICAL SPECIFICATIONS (CONTINUED)

COMPLIANCE

Safety Listing

UL Listed, UL Classified

Environment/Fixture Rating

Damp / Open

FCC

Complies with Part 15 of the FCC Rules.

RoHS

Mercury and UV free. RoHS-compliant components.

OTHER

Warranty

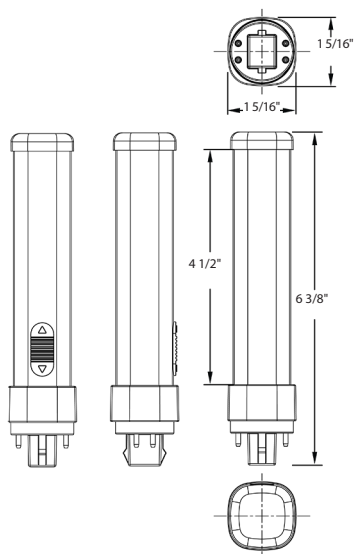
RAB warrants that our LED products will be free from defects in materials and workmanship for a period of five (5) years from the date of delivery to the end user, including coverage of light output, color stability, driver performance and fixture finish.

RAB's warranty is subject to all terms and conditions found at rablighting.com/warranty.

DIMENSIONS

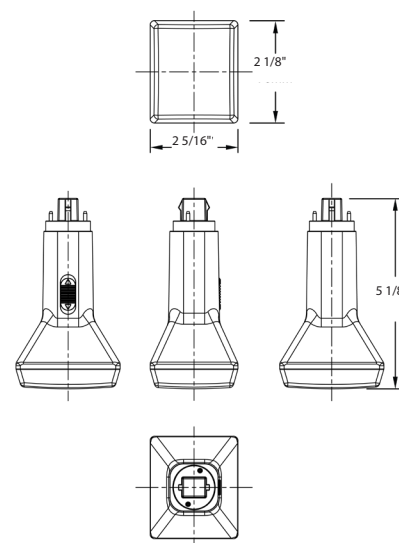
PLC: 8.5W (Horizontal)

Weight: 0.2 lbs.



PLC: 8.5W (Vertical)

Weight: 0.2 lbs.



ORDERING INFO

Catalog Number	Model Number (DLC/Energy Star)	UPC	Case Pack
PLC-8.5-H-8FA-HYB	T10200 (PLC-8.5-H-8FA-HYB)	019813916460	12
PLC-8.5-V-8FA-HYB	T10201 (PLC-8.5-V-8FA-HYB)	019813916477	12

ORDERING MATRIX

Family	Wattage	Mounting Orientation	CRI/Color Temp	Installation Type
PLC	8.5		8FA	HYB
PLC	8.5W	H V	8FA 80 CRI, Field Adjustable 3000K 3500K 4000K	HYB Hybrid