



9.5W Horizontal



9.5W Vertical

Selectable CCT 4-Pin LED PLC Replacements, UL Type A

PROJECT: _____

DATE: _____

TYPE: _____

PREPARED BY: _____



KEY FEATURES

- Field Adjustable 3 CCTs in 1SKU (3000K,3500K,4000K)
- Replacement for CFL 13W, 18W and 26W G24q Lamps
- Ballast Compatible, Directly Compatible with Most Existing CFL Ballasts
- Compatible with G24q/Gx24q (4-pin CFL) installations
- 50,000-hour lifespan
- Lasts 5x longer than compact fluorescent lamps
- Consumes up to 1/3 the energy of conventional CFL
- Instant-on with no warmup, unlike CFLs
- Environmentally friendly, no mercury used
- UL Listed, DLC Listed
- Rated for use in Open fixtures in damp locations
- Dimmable on select ballasts
- 5 Years, No-Compromise Warranty



PERFORMANCE

Catalog Number	Burning Position	Equivalency	Input Wattage	Lumen	Efficacy	Color Temperature	CRI	L70 Lifespan	DLC ID
PLC-9.5-H-8FA-DIR	Horizontal	13W/18W/26W 4PIN CFL G24q	9.5W	960/1020/1050	101/107/110	3000K/3500K/4000K	80	50,000	December 2020
PLC-9.5-V-8FA-DIR	Vertical	13W/18W/26W 4PIN CFL G24q	9.5W	1100/1120/1150	115/117/121	3000K/3500K/4000K	80	50,000	

TECHNICAL SPECIFICATIONS

CONSTRUCTION

Product Type Compact	Base Type 4-Pin G24q
End-cap Finish White	Beam Angle PLC-H: 110° PLC-V: 120°
Lens Finish Frosted	Enclosure Material Polycarbonate
Bulb Shape PLC-H PLC-V	

INSTALLATION

Installation Method: UL Type A, Plug and Play

Burning Position: PLC-H: Horizontal

PLC-V: Vertical

ELECTRICAL

THD ≤20%
Power Factor >0.9
Input Voltage 120-277V
Operating Frequency 50/60Hz
Operating Temperature -20°C to 45°C
Note All values are typical (tolerance +/- 10%)

TECHNICAL SPECIFICATIONS (CONTINUED)

COMPLIANCE

Safety Listing

UL Listed

Environment/Fixture Rating

Damp / Open

DLC

This product is on the Design Lights Consortium (DLC) Qualified Products List and is eligible for rebates from DLC Member Utilities

FCC

Complies with Part 15 of the FCC Rules.

RoHS

Mercury and UV free. RoHS-compliant components.

OTHER

Warranty

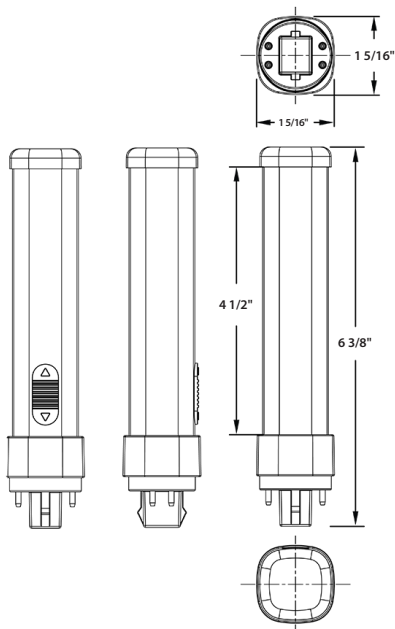
RAB warrants that our LED products will be free from defects in materials and workmanship for a period of five (5) years from the date of delivery to the end user, including coverage of light output, color stability, driver performance and fixture finish.

RAB's warranty is subject to all terms and conditions found at rablighting.com/warranty.

DIMENSIONS

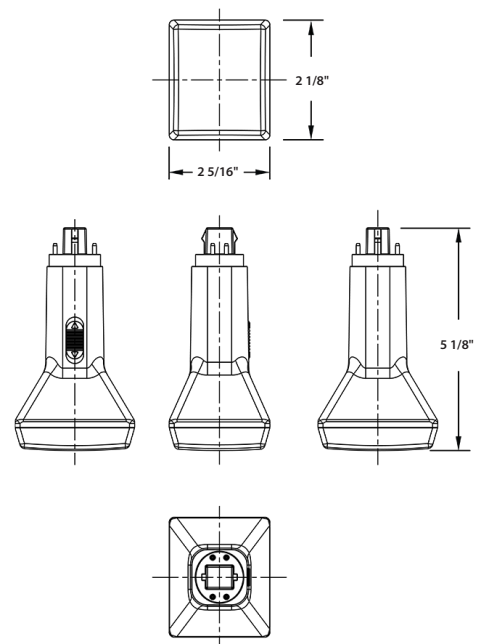
PLC: 9.5W (HORIZONTAL)

Weight: 0.2 lbs



PLC: 9.5W (VERTICAL)

Weight: 0.2 lbs



PL Ballast Compatible - Field Adjustable



BALLAST PERFORMANCE TABLE

Catalog Number	Bare Lamp Wattage	System Wattage	Lumens			System Efficacy		
			3000K	3500K	4000K	3000K	3500K	4000K
PLC-9.5-H-8FA-DIR	9.5	11.5	960	1020	1050	83	88	91
PLC-9.5-V-8FA-DIR	9.5	11.5	1100	1120	1150	96	97	100

ORDERING INFO

Catalog Number	Model Number (DLC/Energy Star)	UPC	Case Pack
PLC-9.5-H-8FA-DIR	T10198(PLC-9.5-H-8FA-DIR)	019813916446	12
PLC-9.5-V-8FA-DIR	T10199(PLC-9.5-V-8FA-DIR)	019813916453	12

ORDERING MATRIX

Family	Wattage		Mounting Orientation		CRI/Color Temp		Installation Type	
PLC	-	9.5	-		-	8FA	-	DIR
PLC Plug-in Cluster	9.5	9.5W	H	Horizontal Vertical	8FA	80 CRI,Field Adjustable 3000K 3500K 4000K	DIR	Ballast Compatible