

HID 50W (ECO)



HID 90W (ECO)

## Economical Post Top Lamps UL Type B



PROJECT: \_\_\_\_\_

DATE: \_\_\_\_\_

TYPE: \_\_\_\_\_

PREPARED BY: \_\_\_\_\_



### KEY FEATURES

- Replaces traditional metal halide or high pressure sodium HID lamp
- Integral driver enables lamp to be wired directly to line voltage without need for an external driver or ballast
- Rated for use in enclosed and open fixtures in dry or damp locations
- 4kV surge protection built in
- 50,000-Hour lifespan
- Environmentally friendly, no mercury used
- UL Listed, DLC Listed
- Non-dimmable
- 5-Year, Limited Warranty

### PERFORMANCE

Catalog Number	Equivalency	Input Wattage	Lumens (Nominal)	Efficacy lm/W	Color Temperature	CRI	L70 Lifespan	DLC ID
HID-50-EX39-850-BYP-PT-ECO	200W HID	54W	7500	135	5000K	80	50,000	January 2021
HID-90-EX39-850-BYP-PT-ECO	400W HID	100W	13500	135	5000K	80	50,000	

### TECHNICAL SPECIFICATIONS

#### CONSTRUCTION

**Product Type**

HID

**Bulb Shape**

Post Top

**Enclosure Material**

Polycarbonate & Metal Heat Sink

**Endcap Finish**

White

**Base Type**

EX39

**Beam Angle**

300°

#### INSTALLATION

**Installation Method**

UL Type B, Ballast Bypass

**Burning Position**

Universal

#### ELECTRICAL

**THD**

≤20%

**Power Factor**

>0.9

**Input Voltage**

100-277V

**Operating Frequency**

50/60Hz

**Operating Temperature**

-20°C to 45°C

**Note**

All values are typical (tolerance +/- 10%)

## TECHNICAL SPECIFICATIONS (CONT.)

### COMPLIANCE

**Safety Listing**

UL Listed

**Environment/Fixture Rating**

Damp / Enclosed

**IP Rating**

IP64

**DLC**

This product is on the Design Lights Consortium (DLC) Qualified Products List and is eligible for rebates from DLC Member Utilities

**FCC**

Complies with Part 15 of the FCC Rules.

**RoHS**

Mercury and UV free. RoHS-compliant components.

### OTHER

**Warranty**

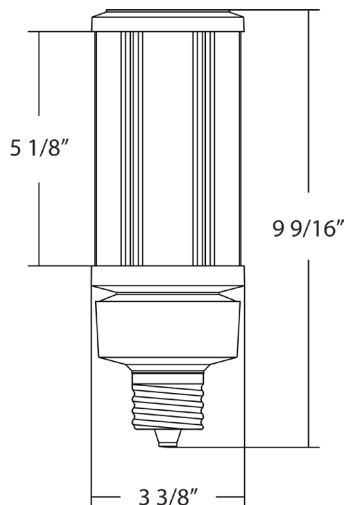
RAB warrants that our LED products will be free from defects in materials and workmanship for a period of five (5) years from the date of delivery to the end user, including coverage of light output, color stability, driver performance and fixture finish.

RAB's warranty is subject to all terms and conditions found at [rablighting.com/warranty](http://rablighting.com/warranty).

## DIMENSIONS

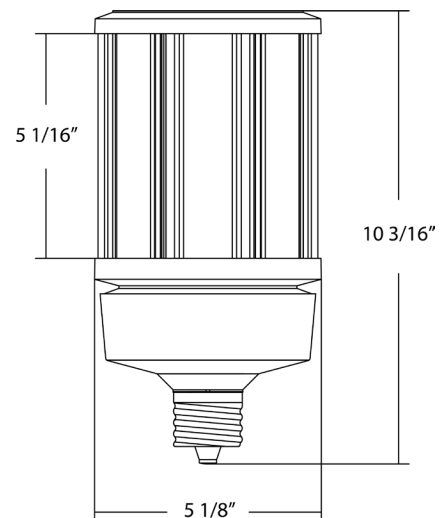
### HID 50W (ECO)

Weight: 1.49 lbs



### HID 90W (ECO)

Weight: 2.34 lbs



## ORDERING INFO

Catalog Number	Model Number (DLC/Energy Star)	UPC	Case Pack
HID-50-EX39-850-BYP-PT-ECO	H10044(HID-50-EX39-850-BYP-PT-ECO)	192552000475	6
HID-90-EX39-850-BYP-PT-ECO	H10045(HID-90-EX39-850-BYP-PT-ECO)	192552000482	6

## ORDERING MATRIX

Family	Wattage	Base Type	CRI/Color Temp	Installation Type	Bulb Shape	Classification
HID	50 90	EX39 EX39 Base	850 80 CRI, 5000K	BYP Ballast Bypass	PT Post Top	ECO Economical