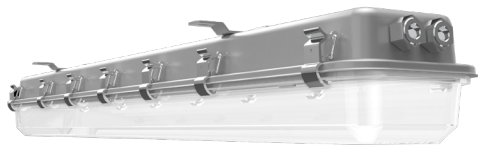


## HAZSHARK2



## HAZSHARK4



PROJECT: \_\_\_\_\_

DATE: \_\_\_\_\_

TYPE: \_\_\_\_\_

PREPARED BY: \_\_\_\_\_



### KEY FEATURES

- Hazardous location washdowns available in:  
2 ft: 30W  
4 ft: 50W
- Available CCT: 5000K
- SAE 304 Stainless steel housing
- Battery backup options available
- Stainless steel surface-mount brackets & aircraft cables for suspended mounting included
- Certified for the following locations:  
Class I, Division 2, Groups A, B, C, D
- UL Listed for wet locations
- IP66 rated
- 5-Year, no-compromise warranty

### Hazardous location Linear Washdown, 2 ft and 4 ft



### TECHNICAL SPECIFICATIONS

#### COMPLIANCE

##### UL Listed

Suitable for wet locations. The fixture with emergency battery backup complies with UL924 standards.

UL924 file:

Charge Time: 24 hours

Emergency Run Time: 90 min

Ambient Range: -10°C-50°C

Environmental use location: Wet

##### IESNA LM-79 & LM-80 Testing

RAB LED luminaires and LED components have been tested by an independent laboratory in accordance with IESNA LM-79 and LM-80

##### IP Rated

Ingress Protection rating of IP66 for dust and water

##### DLC Listed

This product is on the Design Lights Consortium (DLC) Qualified Products List and is eligible for rebates from DLC Member Utilities. Designed to meet DLC 5.1 requirements.

CATALOG#	DLC ID
HAZSHARK2	S-BMBZX1
HAZSHARK4	S-1MDUOR
HAZSHARK4	S-3V8FBW

#### CONSTRUCTION

##### Cold Weather Starting

The minimum starting temperature is -40°C (-40°F)

##### Cold Weather Starting for battery back-up

The minimum starting temperature is -10°C (14°F)

##### Maximum Ambient Temperature

Suitable for use in up to 50°C (122°F)

##### Maximum Ambient Temperature range for battery back-up

HAZSHARK2/E: -10°C-50°C (14°F-122°F), T6

HAZSHARK2/E: -10°C-50°C (14°F-122°F), T5

##### Mounting

Two mounting options included—stainless steel, surface mount brackets or aircraft cable for suspended mount.

##### Housing

SAE 304 stainless steel

##### Lens

Impact-resistant polycarbonate lens

##### Gasket

Silicone

##### Finish

Formulated for high durability and long-lasting color

##### Green Technology

Mercury and UV free. RoHS-compliant components.

## TECHNICAL SPECIFICATIONS

### LED CHARACTERISTICS

#### LEDs

Long-life, high-efficacy, discrete, surface-mount LEDs

#### Color Uniformity

RAB's range of Correlated Color Temperature follows the guidelines of the American National Standard for Specifications for the Chromaticity of Solid State Lighting (SSL) Products, ANSI C78.377-2017.

### ELECTRICAL

#### Drivers:

Constant Current, Class 2, 120-277V, 50/60 Hz,  
SHARK2 25W: 120V: 0.25A, 208V: 0.15A, 240V: 0.13A, 277V: 0.12A  
SHARK4 50W: 120V: 0.4A, 208V: 0.24A, 240V: 0.21A, 277V: 0.19A

#### Dimming Driver:

Driver includes dimming control wiring for 0-10V dimming systems.  
Requires separate 0-10V DC dimming circuit. Dims down to 10%.

#### THD:

HAZSHARK2: 1.56% at 120V, 4.37% at 277V  
HAZSHARK4: 1.47% at 120V, 3.24% at 277V

#### Power Factor:

HAZSHARK2: 99.6% at 120V, 91.4% at 277V  
HAZSHARK4: 99.6% at 120V, 92.0% at 277V

#### Surge Protection

4kV

### ELECTRICAL (CONTINUED)

#### EPA (Effective Projected Area/Outdoor Lighting)

HAZSHARK2: 1.67 ft  
HAZSHARK4: 3.15 ft

#### Battery Backup Light Loss Factor:

Powers the fixture for a minimum of 90 minutes in the event of a power failure

#### Battery Backup Light Loss Factor:

HAZSHARK2: 0.245  
HAZSHARK4: 0.245

Note: All values are typical (tolerance +/- 10%)

### OTHER

#### Buy American Act Compliance:

RAB values USA manufacturing! Upon request, RAB may be able to manufacture this product to be compliant with the BUY American Act (BAA). Please contact customer service to request a quote for the product to be made BAA compliant.

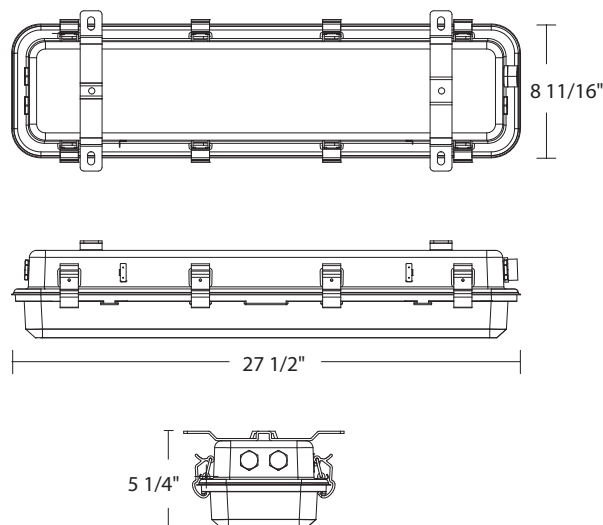
#### Warranty

The RAB 5-year, no-compromise warranty covers light output, color stability, driver performance, paint finish and labor. RAB's warranty is subject to all terms and conditions found at [rablighting.com/warranty](http://rablighting.com/warranty).

## DIMENSIONS

### HAZSHARK2

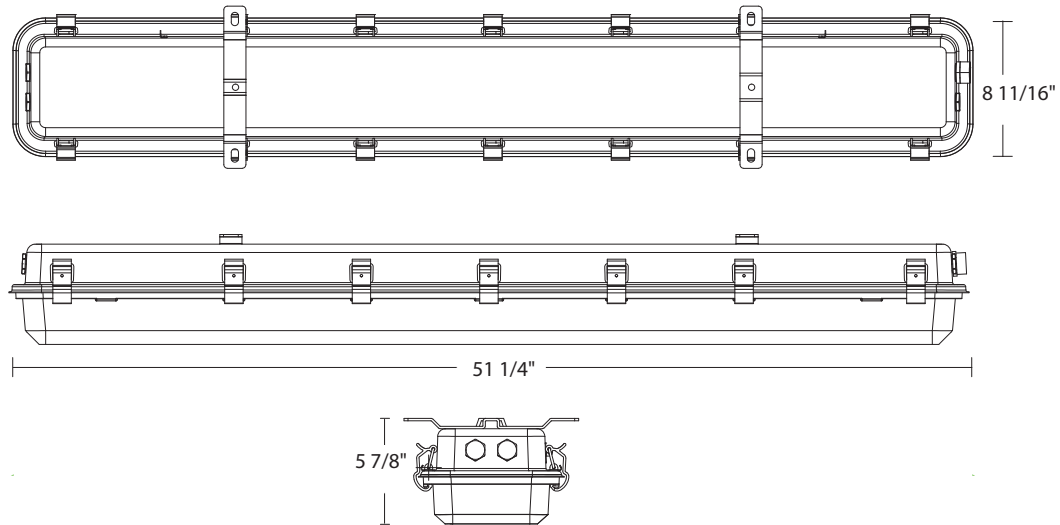
Weight: 5.3 Lb



## DIMENSIONS

HAZSHARK4

Weight: 8.9 Lb



## PERFORMANCE

HAZSHARK2	5000K
WATTAGE	30W
INPUT WATTS	29.4W
LUMENS	4,012
EFFICACY (LM/W)	136.5
CRI	83
VOLTAGE RATINGS	120-277V

HAZSHARK4	5000K
WATTAGE	50W
INPUT WATTS	49W
LUMENS	7,024
EFFICACY (LM/W)	143.3
CRI	84
VOLTAGE RATINGS	120-277V

## ORDERING MATRIX

### HAZSHARK Linear Washdown, Hazardous Location

Family	Size/Wattages	Mounting	Color Temperature	Finish	Voltage	Options
<b>HAZSHARK</b>	<input type="text"/>	<input type="text"/>	<input type="text"/>	<input type="text"/>	<input type="text"/>	<input type="text"/>
	2 4	2 Feet (30W) 4 Feet (50W)	<b>BLANK</b> Metal Bracket with hooks	<b>BLANK</b> 5000K	<b>BLANK</b> Gray <b>BLANK</b> 120-277V, 0-10V Dimming	<b>BLANK</b> /E No Option Emergency Battery Backup