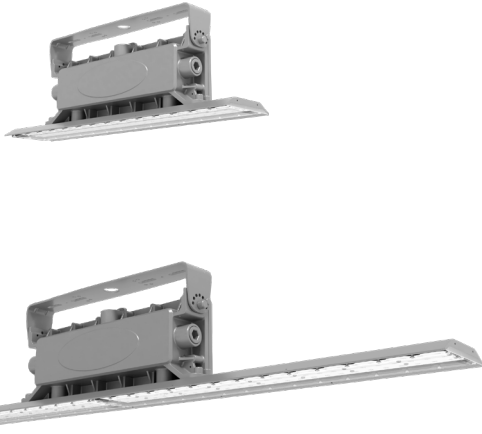


HAZL34 Linear High Bay, Hazardous Locations



PROJECT:

DATE:

TYPE:

PREPARED BY:



KEY FEATURES

- Available in 2 ft and 4 ft models:
2 ft: 40W
4 ft: 80W and 120W
- Available CCT: 5000K
- Voltage rating 120-277V. 480V also offered in 80W models
- Pendant mount (pendant by others), chain mount and yoke mount standard. Ceiling mount kits sold separately
- Designed to perform in the areas with hazardous vapor and gases
- Wire guards available for both the sizes
- IP66 rated
- UL Listed for wet location
- 5-Year, no-compromise warranty
- Certified for use in Class I, Division 2, Groups A, B, C, D

HAZL34 Linear High Bay, Hazardous Locations



0-10V



50,000 HOURS



EASY INSTALL



IP RATING



WET RATED

TECHNICAL SPECIFICATIONS

COMPLIANCE

UL Listed

Suitable for wet locations. Certified to UL standard 1598 and 844

DLC Listed

This product is on the Design Lights Consortium (DLC) Qualified Products List and is eligible for rebates from DLC Member Utilities. Designed to meet DLC 5.1 requirements.

CATALOG#	DLC ID
HAZL34-40	S-93RPUZ
HAZL34-80	S-C3MKH7
HAZL34-80/480	S-QCRBV0
HAZL34-120	S-0N3JSV

IP Listing

IP66 rated

LED CHARACTERISTICS

LEDs

Long-life, high-efficacy, discrete, surface-mount LEDs

Color Consistency

7-step MacAdam Ellipse binning to achieve consistent fixture-to-fixture color

Color Uniformity

RAB's range of Correlated Color Temperature follows the guidelines of the American National Standard for Specifications for the Chromaticity of Solid State Lighting (SSL) Products, ANSI C78.377-2017.

CONSTRUCTION

Cold Weather Starting

The minimum starting temperature is -40°C (-40°F)

Maximum Ambient Temperature

Suitable for use in up to 65°C (149°F)

Mounting

All models come standard with three mounting options—pendant mount (pendant by others), chain mount, and a yoke bracket for surface mount. A separate kit is available for ceiling mount.

Housing

Aluminum

Reflector

Polycarbonate

Gasket

Silicone

Tilt Increment

45° (yoke bracket)

Green Technology

Mercury and UV free. RoHS-compliant components.

Finish

Formulated for high durability and long lasting color

EFFECTIVE PROJECTED AREA (EPA)

EPA:

1,0008 ft²

1,992 ft²

1,992 ft²

HAZL34 Linear High Bay, Hazardous Locations

TECHNICAL SPECIFICATIONS

ELECTRICAL

Drivers:

Constant Current, Class 2, Class P, 120-277V, 50/60 Hz

40W: 120V: 0.34A, 208V: 0.20A, 240V: 0.17A, 277V: 0.16A

80W: 120V: 0.67A, 208V: 0.39A, 240V: 0.34A, 277V: 0.30A

120W: 120V: 1.00A, 208V: 0.58A, 240V: 0.50A, 277V: 0.46A

Constant Current, Class 2, Class P, 480V, 50/60 Hz

80W: 480V: 0.18A

Dimming Driver:

Driver includes dimming control wiring for 0-10V dimming systems.

Requires separate 0-10V DC dimming circuit. Dims down to 10%.

THD:

40W: 4.45% at 120V, 14.55% at 277V

80W: 4.89% at 120V, 6.76% at 277V

80W: 7.09% at 480V

120W: 4.58% at 120V, 7.06% at 277V

Power Factor:

40W: 99.5% at 120V, 90.7% at 277V

80W: 99.9% at 120V, 94.2% at 277V

80W: 92.3% at 480V

120W: 99.7% at 120V, 91.8% at 277V

Surge Protection

L/N-PE: 10kV, L-N: 6kV

Note: All values are typical (tolerance +/- 10%)

Temperature Ratings:

MODEL	SCOPE	AMBIENT TEMPERATURE RANGE	T-CODE
HAZL34-40	Class I, Division 2, Group A,B,C,D	-40°C to 65°C	T4A
HAZL34-80			T4A
HAZL34-80/480			T5
HAZL34-120			T4A

OTHER

Buy American Act Compliance:

RAB values USA manufacturing! Upon request, RAB may be able to manufacture this product to be compliant with the BUY American Act (BAA). Please contact customer service to request a quote for the product to be made BAA compliant.

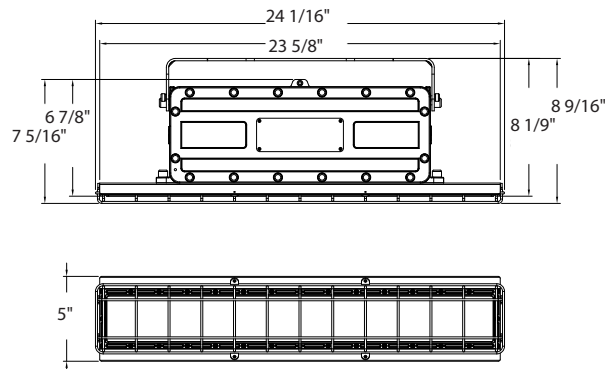
Warranty

The RAB 5-year, no-compromise warranty covers light output, color stability, driver performance, paint finish and labor. RAB's warranty is subject to all terms and conditions found at rablighting.com/warranty.

DIMENSIONS

HAZL34-40W

Weight: 15.0 lbs

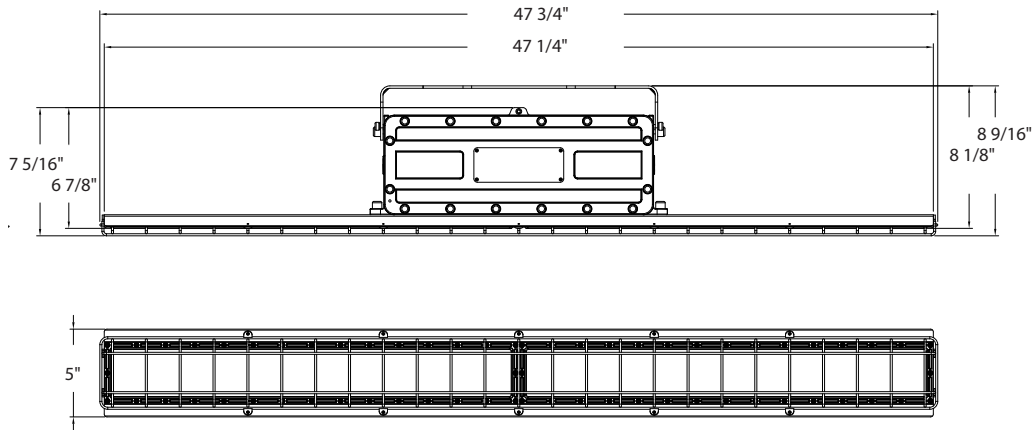


HAZL34 Linear High Bay, Hazardous Locations

DIMENSIONS

HAZL34-80W & 120W

Weight: 21.2 lbs



PERFORMANCE

HAZL34	5000K	5000K	5000K	5000K
WATTAGE	40W	80W	120W	80W
INPUT WATTS	40.7W	80.6W	120W	80.5W
LUMENS	6,297	12,901	18,837	13,164
EFFICACY (LM/W)	154.7	160.1	157	163.5
CRI	82	82	82	82
VOLTAGE RATINGS	120-277V			480V

ORDERING MATRIX

HAZL34

Family		Wattage (SIZE)	Color Temp	Finish	Voltage
HAZL34	-	<div style="border: 1px solid black; width: 100px; height: 20px; margin-bottom: 5px;"></div> 40 2 feet, 40W 80 4 feet, 80W 120 4 feet, 120W	<div style="border: 1px solid black; width: 100px; height: 20px; margin-bottom: 5px;"></div> BLANK 5000K	<div style="border: 1px solid black; width: 100px; height: 20px; margin-bottom: 5px;"></div> BLANK Gray	<div style="border: 1px solid black; width: 100px; height: 20px; margin-bottom: 5px;"></div> BLANK 120-277V, 0-10V Dimming /480 480V, 0-10V Dimming*

* For 80W model only