



4" 12W



6" 18W

Field adjustable LED downlight module



PROJECT: _____

DATE: _____

TYPE: _____

PREPARED BY: _____



KEY FEATURES

- Available in multiple sizes: **4" and 6"**
- Made with **anti-UV plastic** to prevent discoloration from prolonged sun exposure
- **Field-adjustable** "set and forget" color temperature
- Dimmable on TRIAC and **0-10V down to 10%**
- Ideal for both indoor and outdoor application in **dry, damp, or wet** environments
- **50,000-Hour** lifespan

PERFORMANCE

Catalog Number	Size	Input Wattage	Equivalency	Input Voltage	Color Temperature	CRI	L70 Lifespan
HA4	4"	12W	14W CFL	120V or 120-277V*	5CCT adjustable 2700/3000/3500/4000/5000K	90+	50,000
HA6	6"	18W	26W CFL				

*For 120-277V applications, order with HAD4/D10, HAD6/D10. Sold separately.

HA4 + White round/square smooth/baffle trim

CCT	Lumens	Efficacy
2700K	1000 lm	83 Lm/W
3000K	1030 lm	86 Lm/W
3500K	1060 lm	88 Lm/W
4000K	1060 lm	88 Lm/W
5000K	1060 lm	88 Lm/W

HA4 + Brushed nickel round/square smooth trim

CCT	Lumens	Efficacy
2700K	980 lm	82 Lm/W
3000K	1000 lm	83 Lm/W
3500K	1020 lm	85 Lm/W
4000K	1020 lm	85 Lm/W
5000K	1020 lm	85 Lm/W

PERFORMANCE (CONT.)

HA4 + Bronze round/square smooth trim

CCT	Lumens	Efficacy
2700K	950 lm	79 Lm/W
3000K	980 lm	82 Lm/W
3500K	1000 lm	83 Lm/W
4000K	1000 lm	83 Lm/W
5000K	1000 lm	83 Lm/W

HA4 + Black round/square smooth trim

CCT	Lumens	Efficacy
2700K	950 lm	79 Lm/W
3000K	980 lm	82 Lm/W
3500K	1000 lm	83 Lm/W
4000K	1000 lm	83 Lm/W
5000K	1000 lm	83 Lm/W

HA6 + White round/square smooth/baffle trim

CCT	Lumens	Efficacy
2700K	1700 lm	94 Lm/W
3000K	1750 lm	97 Lm/W
3500K	1800 lm	100 Lm/W
4000K	1800 lm	100 Lm/W
5000K	1800 lm	100 Lm/W

HA6 + Brushed nickel round/square smooth trim

CCT	Lumens	Efficacy
2700K	1650 lm	92 Lm/W
3000K	1700 lm	94 Lm/W
3500K	1750 lm	97 Lm/W
4000K	1750 lm	97 Lm/W
5000K	1750 lm	97 Lm/W

HA6 + Bronze round/square smooth trim

CCT	Lumens	Efficacy
2700K	1600 lm	89 Lm/W
3000K	1650 lm	92 Lm/W
3500K	1700 lm	94 Lm/W
4000K	1700 lm	94 Lm/W
5000K	1700 lm	94 Lm/W

HA6 + Black round/square smooth trim

CCT	Lumens	Efficacy
2700K	1600 lm	89 Lm/W
3000K	1650 lm	92 Lm/W
3500K	1700 lm	94 Lm/W
4000K	1700 lm	94 Lm/W
5000K	1700 lm	94 Lm/W

TECHNICAL SPECIFICATIONS

CONSTRUCTION

Housing Material

Metal

Fixture Shape

Round

Fixture Finish

Black and White

LEDs

Long-life with a 90+ CRI value, high lumen output, CCT selectable COB LED

Beam Angle

45° narrow beam angle

Gaskets

Gasket creates airtight and watertight seal with no need for additional caulking.

Lens

Precision-engineered polystyrene diffuser provides high uniformity and reduced glare. No visible diodes, hot spots or shadows.

Controls

Dip switch mounted on j-box for CCT selection

TECHNICAL SPECIFICATIONS (CONT.)

INSTALLATION

Mounting

Adjustable, spring-loaded tabs are compatible with ceilings up to 1 1/2" thick.

ELECTRICAL

THD

≤20%

Power Factor

0.9

Input Voltage

120V or 120-277V*

Operating Frequency

60Hz

Operating Temperature

-4°F to 104°F (-20°C to 40°C)

Dimming

Yes, see Dimmer Compatibility List

Note

All values are typical (tolerance +/- 10%)

*For 120-277V applications, order with HAD4/D10, HAD6/D10. Sold separately.

COMPLIANCE

Safety Listing

UL Listed

Environment Rating

Wet location

FCC

Complies with Part 15 of the FCC Rules.

RoHS

Mercury and UV free. RoHS-compliant components.

OTHER

Warranty

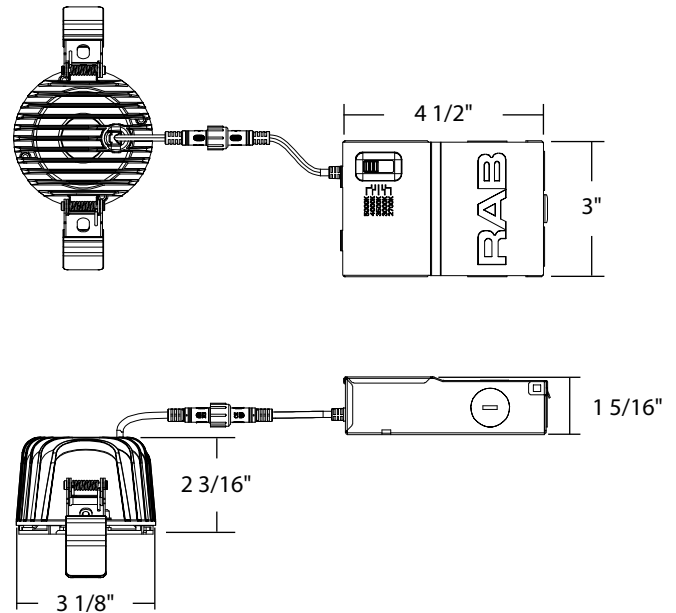
RAB warrants that our LED products will be free from defects in materials and workmanship for a period of five (5) years from the date of delivery to the end user, including coverage of light output, color stability, driver performance and fixture finish.

RAB's warranty is subject to all terms and conditions found at rablighting.com/warranty.

DIMENSIONS

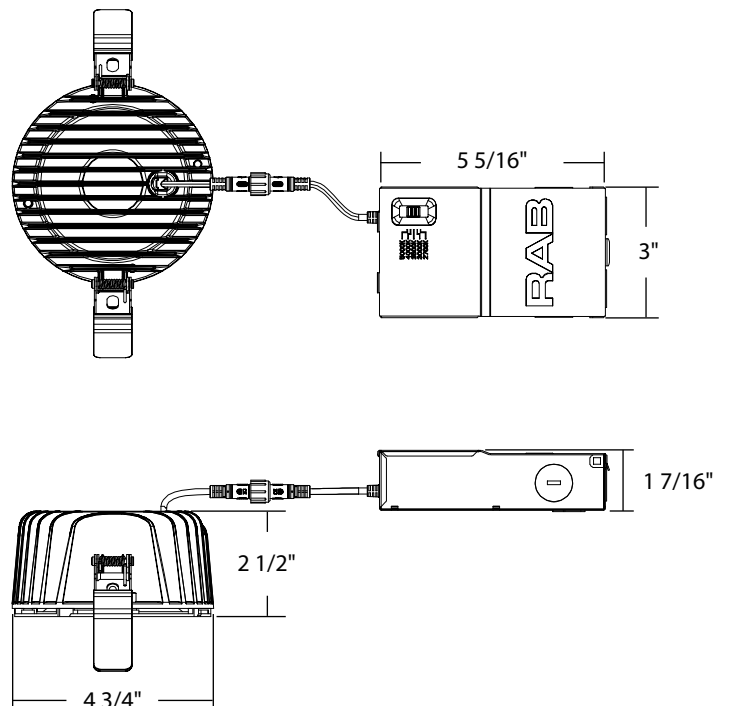
4" Round - 12W

Weight: 0.45lb



6" Round - 18W

Weight: 1.18lb

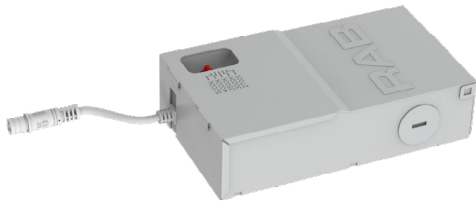


Downlight Module



ACCESSORIES

Driver (sold separately)



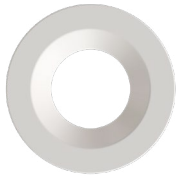
HAD4/D10



HAD6/D10

Catalog Number	UPC	Description	Packaging
HAD4/D10	192552025379	Driver for 4" Round module, 120-277V, 0-10V + Triac	1
HAD6/D10	192552024761	Driver for 6" Round module, 120-277V, 0-10V + Triac	1

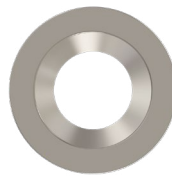
4" Trims (sold separately)



HAT4RW
smooth white



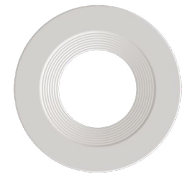
HAT4RB
smooth black



HAT4RBN
smooth brushed nickel



HAT4RA
smooth bronze



HAT4RBW
baffle white

Catalog Number	UPC	Description	Packaging
HAT4RW	192552024778	Round smooth white trim for 4" module	1
HAT4RB	192552024785	Round smooth black trim for 4" module	1
HAT4RBN	192552024792	Round smooth brushed nickel trim for 4" module	1
HAT4RA	192552024808	Round smooth bronze trim for 4" module	1
HAT4RBW	192552024815	Round baffle white trim for 4" module	1



HAT4SW
smooth white



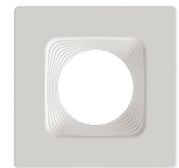
HAT4SB
smooth black



HAT4SBN
smooth brushed nickel



HAT4SA
smooth bronze

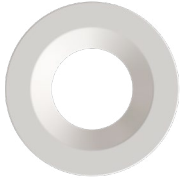


HAT4SBW
baffle white

Catalog Number	UPC	Description	Packaging
HAT4SW	192552024822	Square smooth white trim for 4" module	1
HAT4SB	192552024839	Square smooth black trim for 4" module	1
HAT4SBN	192552024846	Square smooth brushed nickel trim for 4" module	1
HAT4SA	192552024853	Square smooth bronze trim for 4" module	1
HAT4SBW	192552024860	Square baffle white trim for 4" module	1

ACCESSORIES (CONT.)

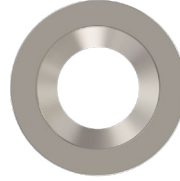
6" Trims (sold separately)



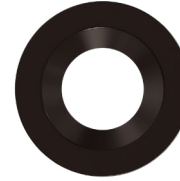
HAT6RW
smooth white



HAT6RB
smooth black



HAT6RBN
smooth brushed nickel



HAT6RA
smooth bronze



HAT6RBW
baffle white

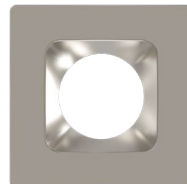
Catalog Number	UPC	Description	Packaging
HAT6RW	192552024877	Round smooth white trim for 6" module	1
HAT6RB	192552024884	Round smooth black trim for 6" module	1
HAT6RBN	192552024891	Round smooth brushed nickel trim for 6" module	1
HAT6RA	192552024907	Round smooth bronze trim for 6" module	1
HAT6RBW	192552024914	Round baffle white trim for 6" module	1



HAT6SW
smooth white



HAT6SB
smooth black



HAT6SBN
smooth brushed nickel



HAT6SA
smooth bronze



HAT6SBW
baffle white

Catalog Number	UPC	Description	Packaging
HAT6SW	192552024921	Square smooth white trim for 6" module	1
HAT6SB	192552024938	Square smooth black trim for 6" module	1
HAT6SBN	192552024945	Square smooth brushed nickel trim for 6" module	1
HAT6SA	192552024952	Square smooth bronze trim for 6" module	1
HAT6SBW	192552024969	Square baffle white trim for 6" module	1

ORDERING INFO

Catalog Number	Model Number (Energy Star)	UPC	Case Pack
HA4	DLM001(HA4)	192552024730	4
HA6	DLM002(HA6)	192552024747	4

ORDERING MATRIX

DOWNLIGHT MODULE

Family	Size	Shape	CRI/Color Temperature	Voltage/Dimming
HA				
	6 6", 18W 4 4", 12W	Blank Round	Blank 90 CRI; Field Adjustable	Blank 120V, TRIAC

* Module and trim must be order together for proper installation.

TRIMS

Family	Size	Shape	Trim	Finish
HAT				
	6 6" 4 4"	R Round S Square	Blank Smooth B Baffle	W White B Black A Bronze BN Brushed Nickel