



DLC listed with over
10,000 lumens of LED!

BAYLED® 104W

RAB®
LIGHTING
RABWEB.COM • 888 722-1000

BAYLED104

- **131°F (55°C) maximum ambient temperature**
- **Bi-level and dimming available**
(Available when mounted w/pendant by others)
- **100,000-Hour LED lifespan**
- **5-Year No-Compromise Warranty**

Specifications

UL Listing: Suitable for damp locations with cord and hook. Suitable for wet locations with 3/4" pendant stem.

LEDs: Multi-chip, high-output, long-life LEDs

Lifespan: 100,000-hour LED lifespan based on IES LM-80 results and TM-21 calculations

Drivers: Constant Current, 720mA, Class 2 with 6 kV surge protection, 100 - 277VAC, 50/60 Hz

Bi-level Operation (optional): Allows 50% and 100% output modes

Dimming (optional): 0-10V dimming available

Equivalency 320W metal halide

Replacement Range 250 - 320W metal halide

Correlated Color Temp. (CCT)	5100K	4000K	3000K
Input Watts @ 120V	123	124	121
Output Lumens	10,375	10,374	9498
Lumens per Watt	84	84	78
Color Accuracy (CRI)	82	81	81

Ambient Temperature: Suitable for use in 55°C (131°F)

Thermal Management: Superior heat sinking with external Air-Flow fins

Housing: Precision die-cast aluminum housing and door frame with 3-foot 600V power cord

Mounting: Heavy-duty 3/4" NPS hook and 3-foot safety chain; is also 3/4" pendant mount-capable (pendant by others)

Lens: Tempered glass

Reflector: Specular vacuum metallized polycarbonate

Gaskets: High-temperature silicone

Finish: Our environmentally friendly polyester powder coatings are formulated for high-durability and long-lasting color, and contain no VOC or toxic heavy metals.

Color Consistency: 3-Step MacAdam Ellipse binning to achieve consistent fixture-to-fixture color

Color Stability: LED color temperature warrantied not to shift more than 200K in CCT in 5 years

Color Uniformity: RAB's range of CCT (Correlated Color Temperature) follows the guidelines of the American National Standard for Specifications for the Chromaticity of Solid State Lighting (SSL) Products, ANSI C78.377-2011.

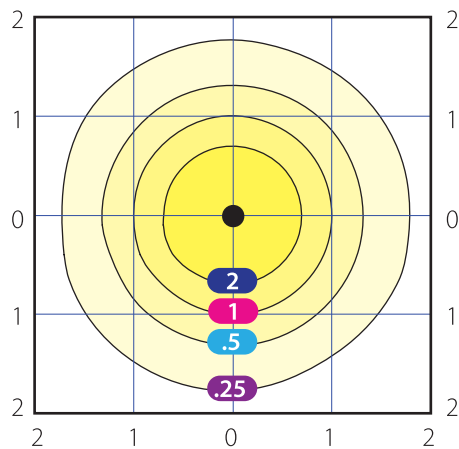
California Title 24: BAYLED104/BL - BAYLED104/BL complies with 2013 California Title 24 building and electrical codes as a commercial indoor fixture for corridors, stairwells, warehouses and covered parking garages when used with an occupancy sensor. Select an occupancy sensor using catalog number LOSBAY800. **BAYLED104/D10** - BAYLED104/D10 complies with 2013 California Title 24 building and electrical codes as a commercial indoor fixture for corridors, stairwells, warehouses and covered parking garages when used with the RAB Stealth Dimmer. Use catalog code STLDIM10 to order a Stealth Dimmer module.

Green Technology: Mercury and UV free, and RoHS compliant. Polyester powder coat finish formulated without the use of VOC or toxic heavy metals.

IESNA LM-79 & LM-80 Testing: RAB LED luminaires have been tested by an independent laboratory in accordance with IESNA LM-79 and LM-80, and have received the Department of Energy "Lighting Facts" label.

Photometrics

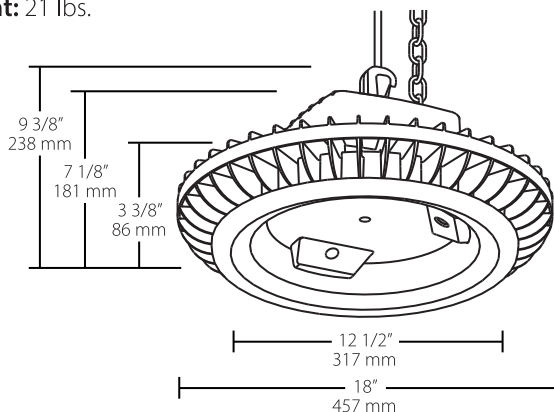
BAYLED104W @ 30' Mounting Height



Grid scale: multiples of mounting height • Values shown in footcandles
Photometric Report #ITL82098

Dimensions & Weight

Weight: 21 lbs.



Ordering Information

Product Family	Wattage	Color Temp	Finish	Options
BAYLED	78 78W 104 104W	Blank 5100K N 4000K Y 3000K	W White	/BL Bi-level* /D10 0-10V* dimming

*Available when mounted with a pendant by others.