

A-Line 3-Way Lamps



4.5W / 9W / 14.5W A19
40W / 60W / 100W
E26 Base

80CRI 3WAY A-Line Bulbs
40W/60W/100W Equivalent, 120V

PROJECT: _____

DATE: _____

TYPE: _____

PREPARED BY: _____



KEY FEATURES

- Energy-efficient replacement for incandescent and halogen 3-way lamps
- Constructed from durable plastic which lowers risk of breakage
- Rated for use in open fixtures in damp locations
- Frosted lens produces smooth, diffused light
- Longer lifespan compared to legacy equivalents minimizes replacement and maintenance costs
- ENERGY STAR® Compliant
- Non-dimmable
- 3-Year, No-Compromise Warranty



PERFORMANCE

Catalog Number	Equivalency	Input Wattage	Lumens	Base Type	Efficacy lm/W	Color Temperature	CRI	L70 Lifespan	Energy Star ID
A19-4.5/9/14.5--E26-827-3WAY	40/60/100W Incandescent	4.5W / 9W / 14.5W	500/900/1550	E26	107	2700K	80	15,000	2367402
A19-4.5/9/14.5--E26-830-3WAY			500/900/1550		107	3000K	80		2367403
A19-4.5/9/14.5--E26-850-3WAY			520/950/1600		110	5000K	80		2367404

TECHNICAL SPECIFICATIONS

CONSTRUCTION

Product Type A-Line 3Way	Lens Finish Frosted
Bulb Shape A19	Base Type E26
Enclosure Material Plastic	Beam Angle 200°
Enclosure Finish White	

ELECTRICAL

Power Factor >0.9
Input Voltage 120V
Operating Frequency 60Hz
Operating Temperature -20°C to 40°C
Note All values are typical (tolerance +/- 10%)

A-Line 3-Way Lamps



COMPLIANCE

Safety Listing

UL Listed,

ENERGY STAR® Compliance

Yes, ENERGY STAR® Compliant

Environment/Fixture Rating

Damp / Open

FCC

Complies with Part 15 of the FCC Rules.

RoHS

Mercury and UV free. RoHS-compliant components.

Lawful for sale in California

Yes

Title 20 Compliant

Yes, Title 20 Tier 2

OTHER

Warranty

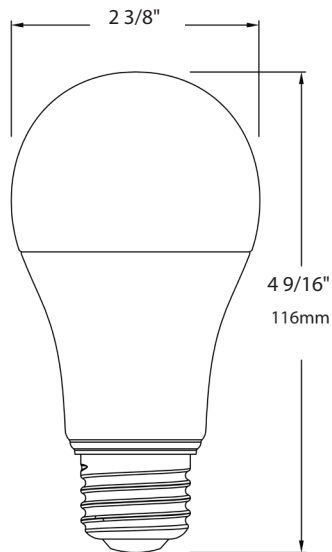
RAB warrants that our LED products will be free from defects in materials and workmanship for a period of three (3) years from the date of delivery to the end user, including coverage of light output, color stability, driver performance and fixture finish.

RAB's warranty is subject to all terms and conditions found at rablighting.com/warranty.

DIMENSIONS

A-LINE 4.5W /9W /14.5W (3-WAY)

Weight: 0.35 lb



ORDERING INFO

Catalog Number	Model Number (DLC/Energy Star)	UPC	Case Pack
A19-4.5/9/14.5--E26-827-3WAY	A10052(A19-4.5/9/14.5-E26-827-3WAY)	019813700625	12
A19-4.5/9/14.5--E26-830-3WAY	A10053(A19-4.5/9/14.5-E26-830-3WAY)	019813700632	12
A19-4.5/9/14.5--E26-850-3WAY	A10054(A19-4.5/9/14.5-E26-850-3WAY)	019813700649	12

ORDERING MATRIX

Family	Wattage	Base Type	CRI/Color Temp	Configuration				
A19	-	4.5/9/14.5	-	E26	-	3WAY		
	4.5	4.5W	E26	E26 Base	827	80 CRI, 2700K	3WAY	3-Way
	9	9W			830	80 CRI, 3000K		Configuration
	14.5	14.5W			850	80 CRI, 5000K		