

# X34 Field-Adjustable Floodlight



X34XS



X34S



X34M



X34L



X34XL & X34XXL



## X34 Floodlight with selectable power & CCT



FIELD ADJ.  
(XS,S & M Models)



3-WAY  
SELECTABLE  
(L, XL & XXL Models)



100,000 HRS



WET RATED



IP RATING

PROJECT: \_\_\_\_\_

DATE: \_\_\_\_\_

TYPE: \_\_\_\_\_

PREPARED BY: \_\_\_\_\_



\*XS,S & M Models



\*\*L, XL & XXL Models



### KEY FEATURES

- Ultra-economy floodlights with selectable power and CCT
- Available models & wattages:  
X34XS : 16/13/10W  
X34S : 35/25/20W  
X34M : 65/55/45W  
X34L : 90/80/70W  
X34XL : 130/110/95W  
X34XXL : 160/140/120W
- Selectable CCT: 3000/4000/5000K
- **Knuckle mount** on X34XS, X34XS & X34M models and **Slipfitter** or **Trunnion** option for X34L, X34XL & X34XXL models
- Suitable for wet locations
- 120 or 277V, non-dimming driver for X34XS, X34S & X34M models. The driver includes wiring for 0-10V dimming for X34L, X34XL & X34XXL models.
- 5-year limited warranty

## TECHNICAL SPECIFICATIONS

### COMPLIANCE

#### UL Listed

Suitable for wet locations

#### IP Rating

Ingress protection rating of IP65 for dust and water

#### DLC Listed (X34XS, X34S & X34M)

This product is on the Design Lights Consortium (DLC) Qualified Products List and is eligible for rebates from DLC Member Utilities. Designed to meet DLC 5.1 requirements.

#### DLC Listed (X34L, X34XL & X34XXL)

This product is listed by Design Lights Consortium (DLC) as an ultra-efficient premium product that qualifies for the highest tier of rebates from DLC Member Utilities. Designed to meet DLC 5.1 requirements.

DLC STANDARD		DLC PREMIUM	
Modle#	DLC Product ID	Modle#	DLC Product ID
X34XS	S-P1Q64R	X34L	S-EZPO0W
X34S	S-T9KEIS	X34XL	S-2HQ7D4
X34M	S-MZAHRW	X34XXL	S-AOKIJL

### LED CHARACTERISTIC

#### LEDS

Long-life, high-efficacy, surface-mount LEDs

#### Color Uniformity

RAB's range of Correlated Color Temperature follows the guidelines of the American National Standards for Specifications for the Chromaticity of Solid State Lighting (SLL) Products, ANSI C78.377-2017.

### CONSTRUCTION

#### Cold Weather Starting

Minimum starting temperature is -40°C (-40°F)

#### Maximum Ambient Temperature

Suitable for use in up to 40°C (104°F)

#### Housing

Precision die-cast aluminum

#### Mounting

X34XS, X34S & X34M: Knuckle Mount

X34L, X34XL & X34XXL: Slipfitter (Tilt increment: 10°), Trunnion (Tilt increment 30°)

#### Lens

Tempered glass

#### Reflector

Polycarbonate for Models X34XS, X34S & X34M. Polyethylene terephthalate for X34L, X34XL & X34XXL.

#### Green Technology

Mercury and UV free. RoHs-compliant components.

#### Finish

Formulated for high durability and long lasting color

#### NEMA

NEMA beam spread of 7H x 7V

#### EPA

X34L: 0.05

X34XL: 0.06

X34XXL: 0.06

# X34 Field-Adjustable Floodlight



## TECHNICAL SPECIFICATIONS (CONTINUED)

### ELECTRICAL

#### Drivers:

Constant Current, Class 1, 120 or 277V, 50/60 Hz

#### X34XS

16W: 120V: 0.14A, 277V: 0.06A

13W: 120V: 0.12A, 277V: 0.05A

10W: 120V: 0.08A, 277V: 0.04A

#### X34S:

35W: 120V: 0.30A, 277V: 0.13A

25W: 120V: 0.22A, 277V: 0.10A

20W: 120V: 0.18A, 277V: 0.08A

#### X34M:

65W: 120V: 0.60A, 277V: 0.24A

55W: 120V: 0.50A, 277V: 0.20A

45W: 120V: 0.37A, 277V: 0.17A

#### Drivers:

Constant Current, Class 1, 120-277V, 50/60 Hz

#### X34L:

90W: 120V: 0.78A 208V: 0.44A, 240V: 0.38A, 277V: 0.35A

80W: 120V: 0.69A 208V: 0.40A, 240V: 0.34A, 277V: 0.31A

70W: 120V: 0.59A 208V: 0.34A, 240V: 0.30A, 277V: 0.27A

#### X34XL:

130W: 120V: 1.13A 208V: 0.63A, 240V: 0.55A, 277V: 0.49A

110W: 120V: 0.98A 208V: 0.53A, 240V: 0.46A, 277V: 0.43A

95W: 120V: 0.85A 208V: 0.46A, 240V: 0.40A, 277V: 0.38A

#### X34XXL:

160W: 120V: 1.34A 208V: 0.77A, 240V: 0.67A, 277V: 0.60A

140W: 120V: 1.19A 208V: 0.68A, 240V: 0.60A, 277V: 0.52A

120W: 120V: 1.02A 208V: 0.58A, 240V: 0.50A, 277V: 0.46A

Driver includes wiring for 0-10V dimming systems. Dim as low as 10%.

#### Photocell:

Models X34L, X34XL & X34XXL: 120-277V selectable On/Off photocell that can be turned on and off.

### ELECTRICAL

#### THD/Power Factor:

MODEL#	WATTAGE	@120V		@277V	
		THD	PF	THD	PF
X34XS	16W	14.3%	98.2%	16.2%	92.9%
	13W	14.0%	98.6%	16.4%	90.5%
	10W	14.6%	98.3%	14.8%	87.8%
X34S	35W	4.3%	99.7%	8.2%	96.2%
	25W	5.0%	99.7%	16.8%	91.7%
	20W	6.1%	99.4%	20.5%	90.6%
X34M	65W	3.6%	99.8%	7.9%	96.4%
	55W	4.2%	99.8%	12.2%	94.8%
	45W	5.1%	99.6%	17.2%	92.8%
X34L	90W	3.9%	99.7%	6.6%	93.9%
	80W	4.0%	99.6%	7.9%	92.7%
	70W	4.3%	99.5%	10%	90.9%
X34XL	130W	4.1%	99.8%	7.2%	96%
	110W	4.1%	99.8%	7.9%	95.1%
	95W	4.0%	99.7%	8.8%	93.9%
X34XXL	160W	3.1%	99.8%	5.9%	95.2%
	140W	3.0%	99.7%	8.6%	93.3%
	120W	2.7%	99.6%	10.4%	90.7%

Note: All values are typical (tolerance +/- 10%)

### PERFORMANCE

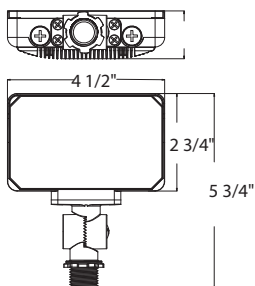
#### Lifespan

100,000-hour LED lifespan based on IES LM-80 results and TM-21 calculations

## DIMENSIONS

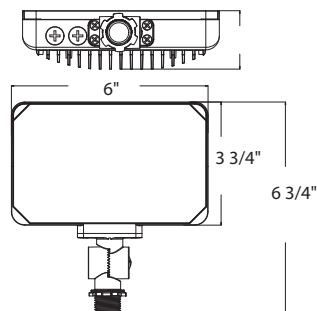
### X34XS

Weight: 0.36 lbs



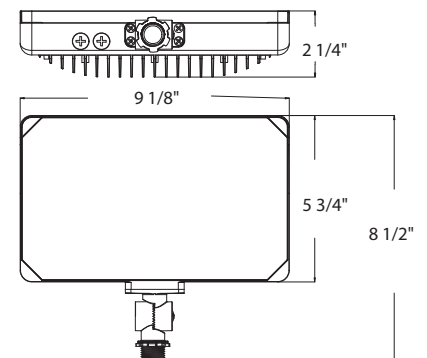
### X34S

Weight: 0.6 lbs



### X34M

Weight: 1.23 lbs



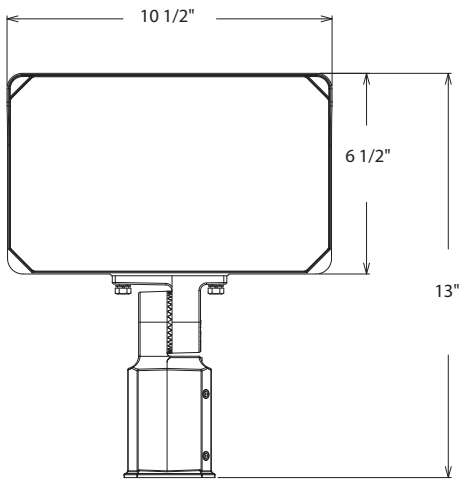
# X34 Field-Adjustable Floodlight



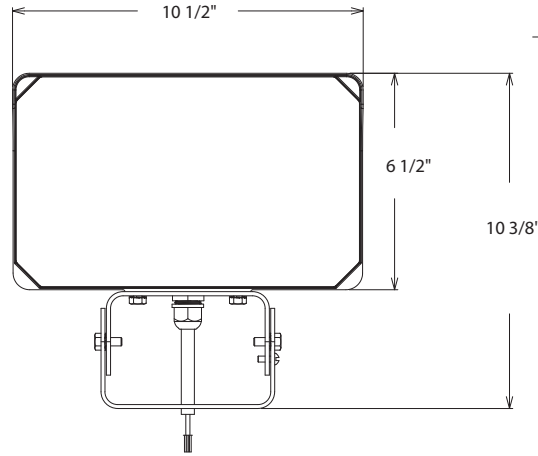
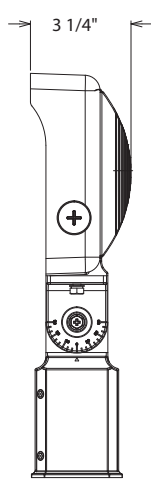
## DIMENSIONS

### X34L

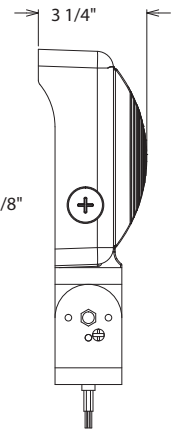
Weight: SF: 6.6 lbs, TRUN: 6.8 lbs



Slipfitter Mount



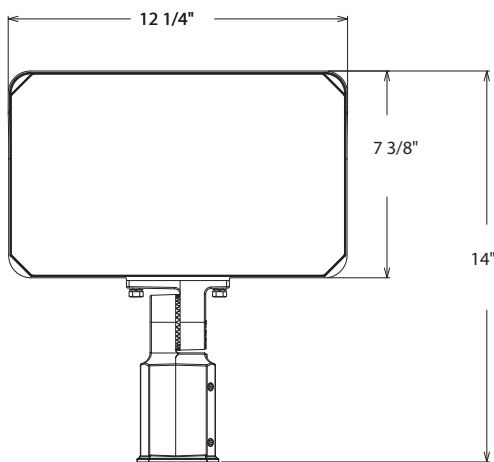
Trunnion Mount



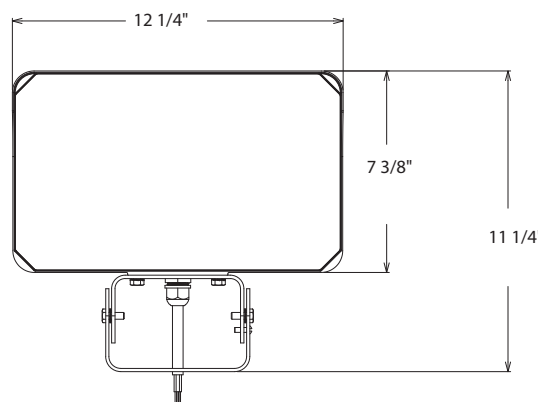
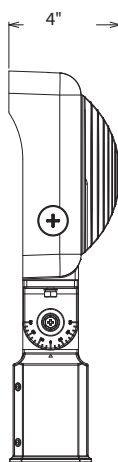
### X34XL / X34XXL

Weight (X34XL) : SF: 8.1 lbs, TRUN: 8.5 lbs

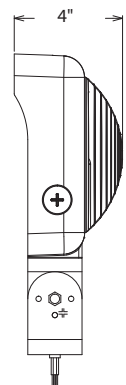
Weight (X34XXL) : SF: 8.5 lbs, TRUN: 9 lbs



Slipfitter Mount



Trunnion Mount



# X34 Field-Adjustable Floodlight



## PERFORMANCE

X34XS	3000K	4000K	5000K	3000K	4000K	5000K	3000K	4000K	5000K
WATTAGE	16W			13W			10W		
INPUT WATTS	16.4W	15.8W	16.2W	13W	12.8W	12.9W	10.5W	10.4W	10.5W
LUMENS	2,148	2,353	2,275	1,784	1,925	1,883	1,468	1,566	1,468
EFFICACY	131.0	148.0	140.4	137.2	150.4	146.0	139.8	150.6	147.6
CRI	81	84	83	82	84	83	82	84	83
VOLTAGE RATINGS	120 or 277V								

X34S	3000K	4000K	5000K	3000K	4000K	5000K	3000K	4000K	5000K
WATTAGE	35W			25W			20W		
INPUT WATTS	33.6W	32.3W	33.5W	24.7W	23.7W	24.5W	20W	19.6W	19.9W
LUMENS	4,081	4,677	4,336	3,240	3,576	3,419	2,685	2,956	2,845
EFFICACY	121.5	144.8	129.4	131.2	150.9	139.6	134.3	150.8	143.0
CRI	81	84	83	81	84	83	81	84	83
VOLTAGE RATINGS	120 or 277V								

X34M	3000K	4000K	5000K	3000K	4000K	5000K	3000K	4000K	5000K
WATTAGE	65W			55W			45W		
INPUT WATTS	66.8W	63.7W	67W	54.4W	52.1W	54.4W	43.7W	42.6W	43.8W
LUMENS	8,608	9,718	9,245	7,496	8,306	7,997	6,346	7,080	6,808
EFFICACY	128.9	152.6	138.0	137.8	159.4	147.0	145.2	166.2	155.4
CRI	80	83	82	83	83	83	83	83	83
VOLTAGE RATINGS	120 or 277V								

X34XL	3000K	4000K	5000K	3000K	4000K	5000K	3000K	4000K	5000K
WATTAGE	90W			80W			70W		
INPUT WATTS	93.6W	89.1W	93.1W	82.5W	79W	82.2W	70.9W	68.1W	70.7W
LUMENS	12,804	14,040	13,440	11,639	12,676	12,218	10,313	11,140	10,885
EFFICACY	136.8	157.6	144.4	141.1	160.5	148.6	145.5	163.6	154.0
CRI	83	86	85	83	86	85	83	86	85
VOLTAGE RATINGS	120-277V								

X34XL	3000K	4000K	5000K	3000K	4000K	5000K	3000K	4000K	5000K
WATTAGE	130W			110W			95W		
INPUT WATTS	135.1W	128.4W	134.3W	117W	112W	116.5W	101.2W	97.3W	100.9W
LUMENS	18,281	20,065	19,243	16,376	17,878	17,262	14,615	15,814	15,456
EFFICACY	135.3	156.3	143.2	140.0	159.6	148.2	144.4	162.5	153.2
CRI	783	86	85	83	86	85	83	86	85
VOLTAGE RATINGS	120-277V								

X34XXL	3000K	4000K	5000K	3000K	4000K	5000K	3000K	4000K	5000K
WATTAGE	160W			140W			120W		
INPUT WATTS	160.4W	153.4W	160.9W	141.8W	136.1W	142.2W	121W	116.4W	121.7W
LUMENS	21,483	24,168	23,567	21,510	21,934	19,703	17,458	19,243	19,121
EFFICACY	133.9	157.6	146.5	138.9	161.2	151.3	144.3	165.3	157.1
CRI	83	86	85	83	86	85	83	86	85
VOLTAGE RATINGS	120-277V								

# X34 Field-Adjustable Floodlight



## ORDERING MATRIX

### X34

Family	Wattage	Mounting		Color Temperature	Finish	Driver		
<b>X34</b>								
XS S M	16/13/10W 35/25/20W 65/55/45W	BLANK	Knuckle	BLANK	3000/4000/5000K CCT Selectable	BLANK W Bronze White	BLANK	120 /277V

Family	Wattage	Mounting		Color Temperature	Finish	Driver	Option			
<b>X34</b>										
L XL XXL	90/80/70W 130/110/95W 160/140/120W	BLANK T	Slipfitter Trunnion	BLANK	3000/4000/5000K CCT Selectable	BLANK W Bronze White	BLANK	120-277V 0-10V Dimming	BLANK	Selectable On/Off Photocell