

CCT-Adjustable Deep Regress Wafer



PROJECT: _____

DATE: _____

TYPE: _____

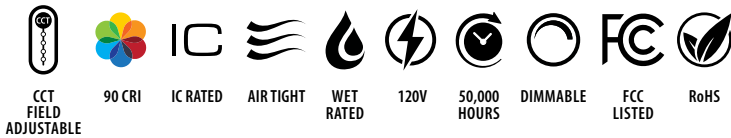
PREPARED BY: _____



KEY FEATURES

- 5 color temperatures in 1 SKU (2700/3000/3500/4000/5000K)
- No recessed housing or J-box required
- Dimmable on TRIAC/ELV (see Dimmer Compatibility List)
- Suitable for indoor and outdoor use in **dry, damp, and wet** environments
- 50,000-hour lifespan
- 5-Year, no-compromise warranty

CCT-Adjustable Deep Regress Wafer



PERFORMANCE

Catalog Number	Size	Trim Style	Wattage Equivalency	Input Wattage	Lumens	Efficacy	Color Temperature	Input Current @ 120V (mA)	Energy Star ID
WFD4B	4"	Baffle	100W Incandescent	13W	1,200 lm	92 lm/W	Field-adjustable dip switch 2700K/3000K/ 3500K/4000K/5000K	120 mA	2508117
WFD6B	6"	Smooth	120W Incandescent	15W	1,500 lm	100 lm/W		137 mA	2508118
WFD4	4"	Baffle	100W Incandescent	13W	1,200 lm	92 lm/W		120 mA	2508117
WFD6	6"	Smooth	120W Incandescent	15W	1,500 lm	100 lm/W		137 mA	2508118

Catalog Number	Wattage	CCT	Efficacy	Lumens	Wattage Equivalency
WFD4B WFD4	13W	2700K	102 lm/W	1,213 lm	100W Incandescent
		3000K	105 lm/W	1,241 lm	
		3500K	111 lm/W	1,289 lm	
		4000K	113 lm/W	1,318 lm	
		5000K	112 lm/W	1,331 lm	

Catalog Number	Wattage	CCT	Efficacy	Lumens	Wattage Equivalency
WFD6B WFD6	15W	2700K	108 lm/W	1,525 lm	120W Incandescent
		3000K	112 lm/W	1,562 lm	
		3500K	118 lm/W	1,627 lm	
		4000K	119 lm/W	1,662 lm	
		5000K	118 lm/W	1,685 lm	

TECHNICAL SPECIFICATIONS

CONSTRUCTION

Product Type

Deep Regress Wafer

Size

4", 6"

Shape

Round

Enclosure Material

Metal

Finish

White

Trim Style

Smooth, baffle

Lens

Polycarbonate

Cut Out Template Size

4 5/16" for 4" wafer

6 5/16" for 6" wafer

INSTALLATION

Mounting

Recessed, no housing required

ELECTRICAL

Dimmable

Yes, dims down to 10% on compatible TRIAC/ELV systems. See Dimmer Compatibility List on rablighting.com.

THD

≤20%

Power Factor

≥0.9

Flicker

5%

Input Voltage

120V

Operating Frequency

60Hz

Operating Temperature

-4°F to 104°F (-20°C to 40°C)

Beam Angle

90°

COMPLIANCE

Listings

UL Listed

Environment

Suitable for use in dry, damp, and wet environments.

IC Rated

Suitable for direct contact with insulation.

Type IC inherently protected, suitable for direct contact to air permeable insulation and cULus listed for damp locations. Not for use in direct contact with spray foam insulation, consult NEMA LSD57-2013.

Air Tight

Housing certified Air Tight as per ASTM E283

ENERGY STAR® Approved

This product is ENERGY STAR® Version 2.2 Certified.

DLC Listed

No. There is no product category on the Design Lights Consortium (DLC) Qualified Products List for this product to qualify under.

T20 Compliant

No, this product does not meet California Title 20 requirements.

California Title 24 JA8 Compliant

Can be used to conform with the requirements of California Title 24 Part 6.

California Energy Commission (CEC) Status

Lawful for Sales in California

NEC Compliant

Suitable for use in closets. Compliant with NEC Sec. 410.16 (A)(1) and 410.16 (C3).

IESNA LM-79 & LM80 Testing

RAB LED luminaires and LED components have been tested by an independent laboratory in accordance with IESNA LM-79 and LM-80.

FCC

Complies with Part 15 of the FCC Rules.

RoHS

Mercury and UV free. RoHS-compliant components.

LED CHARACTERISTICS

Color Temperature

Field-adjustable dip switch 2700K/3000K/3500K/4000K/5000K

Color Accuracy (CRI)

>90

R9 Value

High color performance with R9 greater than or equal to 50

Color Consistency

4-step MacAdam Ellipse binning to achieve consistent fixture-to-fixture color

Color Stability

LED color temperature is warrantied to shift no more than 200K in color temperature over a 5-year period

Color Uniformity

RAB's range of Correlated Color Temperature follows the guidelines of the American National Standard for Specifications for the Chromaticity of Solid State Lighting (SSL) Products, ANSI C78.377-2017.

CCT-Adjustable Deep Regress Wafer



TECHNICAL SPECIFICATIONS (CONT'D)

OTHER

Warranty

RAB warrants that our LED products will be free from defects in materials and workmanship for a period of five (5) years from the date of delivery to the end user, including coverage of light output, color stability, driver performance and fixture finish.

RAB's warranty is subject to all terms and conditions found at rablighting.com/warranty.

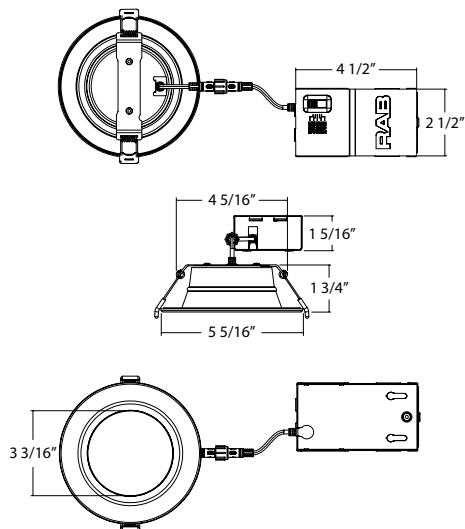
Note

All values are typical (tolerance +/- 10%)

DIMENSIONS

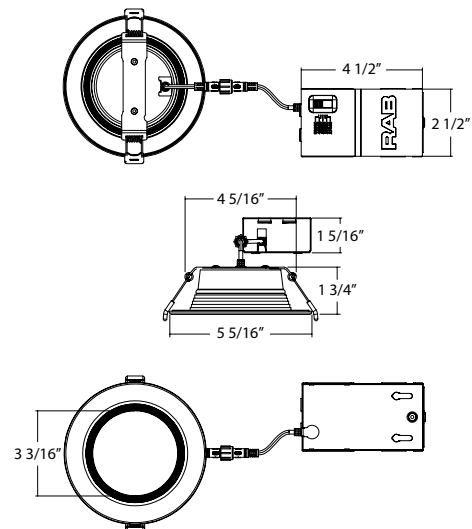
WFD4

Weight: 0.68 lb



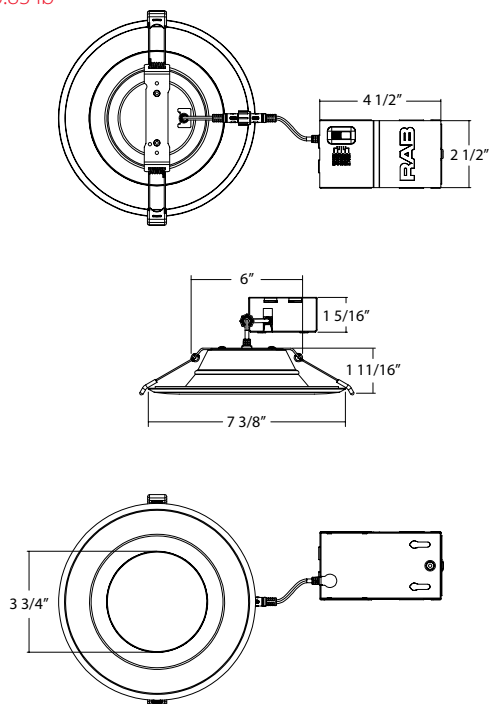
WFD4B

Weight: 0.68 lb



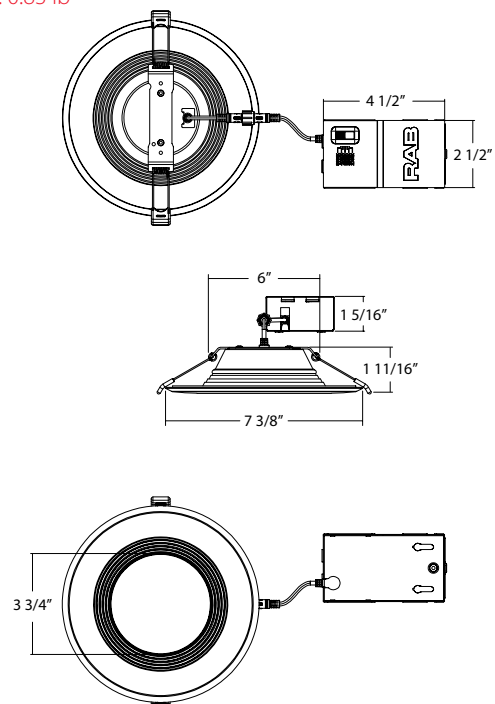
WFD6

Weight: 0.83 lb



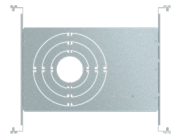
WFD6B

Weight: 0.83 lb



ACCESSORIES

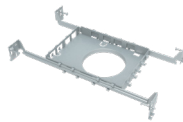
Mounting Plates



DLPLATE/WFR3468/NB



DLPLATE/WFR3456



DLPLATE/WFR4/NB/CL



DLPLATE/WFR6/NB/CL



DLPLATE/WFR4



DLPLATE/WFR6

Catalog Number	UPC	Description
DLPLATE/WFR3468/NB	0192552000673	MOUNTING PLATE WITH NAILER BAR FOR WAFER 3/4/6/8IN
DLPLATE/WFR3456	0192552025584	DL ECO MOUNTING PLATE GREY FOR WAFER 3"/4"5"6"
DLPLATE/WFR4/NB/CL	0192552036993	MOUNTING PLATE FOR WAFER 4" W/ DRYWALL COLLAR & EXTENSION BAR
DLPLATE/WFR6/NB/CL	0192552037006	MOUNTING PLATE FOR WAFER 6" W/ DRYWALL COLLAR & EXTENSION BAR
DLPLATE/WFR4	0192552039819	4" WAFER MOUNTING PLATE W/O NAILER BAR
DLPLATE/WFR6	0192552039826	6" WAFER MOUNTING PLATE W/O NAILER BAR

ORDERING INFO

Catalog Number	Certification Model Number	UPC	Case Pack
WFD4B	DLW0102(WFD4B)	192552029216	4
WFD6B	DLW0103(WFD6B)	192552029223	4
WFD4	DLW0100(WFD4)	192552029230	4
WFD6	DLW0101(WFD6)	192552029247	4

ORDERING MATRIX

Family	Size/Wattage	Shape	CRI/Color Temp	Voltage	Finish	Trim
WFD						
Deep Regress Wafer	4 6	4", 13W 6", 15W	Blank	Round	Blank	90 CRI, Field-adjustable CCT 2700/3000/3500/4000/5000K
				Blank	120V	Blank
					White	Blank
						B
						Smooth Baffle