

**Project:**

**Type:**

**Prepared By:**

**Date:**



UPC: 019813908472



### Features and Benefits

- Replacement for traditional Metal Halide or High Pressure Sodium HID Lamps
- Integral Driver enables lamp to be wired directly to line voltage without need for an external driver or ballast
- Rated for use in enclosed and open fixtures in dry or damp locations
- 4kV surge protection built in
- 50,000 hour Lifespan
- Environmentally friendly, no mercury used
- UL Listed, UL Classified, DLC Listed
- Lamp includes on board low-voltage AUX port for lamp level sensor accessories
- 5 Year Limited Warranty
- Compatible with RAB specified 0-10V dimming system

### Technical Specifications

#### Performance

**Product Type:**

HID Replacement

**Input Wattage:**

80W

**Lumens (Nominal):**

10,800lm

**Efficacy:**

135lm/W

**L70 Lifespan:**

50,000-Hour LED lifespan based on IES LM-80 results and TM-21 calculations

**Wattage Equivalency:**

250W

**Dimming:**

Compatible with RAB specified 0-10V dimming system. Dimming capabilities were tested and verified on Legrand RH4FBL3PTC 0-10V dimming system.

#### LED Characteristics

**Color Accuracy (CRI):**

80

**Color Temperature:**

5000K

#### Construction

**Bulb Shape:**

High Bay

**Enclosure Material:**

Polycarbonate & Metal heat sink

**Housing Finish:**

White

**Base Type:**

EX39

#### Electrical

**THD:**

<20%

**Power Factor:**

>0.9

**Input Voltage:**

100-277V

**Operating Frequency:**

60 Hz

**Operating Temperature:**

-30°C to 60°C

**Surge Protection:**

4kV

#### Installation

**Installation Method:**

UL Type B, Ballast Bypass

**Burning Position:**

Base Up

#### Other

**Technology EQ:**

Metal Halide or High Pressure Sodium

## Technical Specifications (continued)

### Warranty:

The RAB 5-year, limited warranty covers light output, driver performance and paint finish. RAB's warranty is subject to all terms and conditions found at [rablighting.com/warranty](http://rablighting.com/warranty).

### Compliance

#### Listings:

UL Listed, UL Classified

#### Environment/Fixture Rating:

Damp / Enclosed

#### IP Rating:

IP64

#### RoHS:

Mercury and UV free. RoHS-compliant components.

#### FCC:

Complies with Part 15B of the FCC Rules

#### Model Number for Certification:

H10036(HID-80-V-EX39-850-BYP-HB-ECO)

#### DLC Listed:

This product is on the Design Lights Consortium (DLC) Qualified Products List and is eligible for rebates from DLC Member Utilities. Designed to meet DLC 5.1 requirements.

DLC Product Code: PLMX58WXO6X9

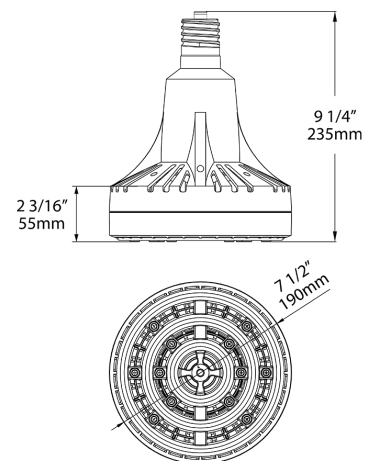
## Minimum Compartment Size

Length x Width x Height [in]	Lamp Quantity
10	1

## Case and Pallet Dimensions

	QTY	LENGTH (in)	WIDTH (in)	HEIGHT (in)
CASE	4	0	0	0
PALLET	64	0	0	0

## Dimension



## Light Distribution

