

Lightcloud Blue-Ready Garage Lighter



PROJECT:

DATE:

TYPE:

PREPARED BY:



Lightcloud Blue-ready garage lighter



KEY FEATURES

- Adjustable wings to direct light where you want it
- Control to Lightcloud Blue using the 5-Pin Plug-In Controller
- Rated for use in enclosed fixtures in **dry** or **damp** locations
- **AUX port** for integrating individual, lamp-level controls
- Dimmable with Lightcloud Blue
- 3-Year, No-Compromise Warranty

PERFORMANCE

Catalog Number	Equivalency	Input Wattage	Lumens (Nominal)	Efficacy	Input Voltage	Color Temperature	CRI	L70 Lifespan
HID-65-V-E26-850-BYP-GL/LCBR	200W Metal Halide	65W	8,000 Lm	123Lm/W	120-277V	5000K	80+	25,000 hours

TECHNICAL SPECIFICATIONS

LIGHTCLOUD BLUE FEATURES*

Direct Connect

Use the Lightcloud Blue mobile app to connect to your lamps in minutes via Bluetooth Mesh; no Gateway or Hub required.

Mobile App Control

Use the Lightcloud Blue mobile app to configure features for On/Off Control, Dim Level, Color Temperature, Schedules, Scenes, SmartShift and more.

Scalable

Devices within 60 feet of each other can communicate within the Bluetooth Mesh network to manage a maximum of up to 3,000 devices per account.

Motion Sensing

Add the 5-Pin Controller with an integrated passive infrared (PIR) or microwave (MVS) sensor for dual technology motion detection and open loop daylight sensing. Program the sensor settings using the Lightcloud Blue mobile app.

*Requires a 5-pin plug-in Lightcloud Blue Controller for use with the control system.

TECHNICAL SPECIFICATIONS (CONT.)

LIGHTCLOUD BLUE 5-PIN CONTROLLER

Gateway Required

No

Communication Protocol

Bluetooth Mesh

Range

Up to 60 feet between standard building materials

Up to 200 feet clear line of sight

Spacing Criteria

Lightcloud Blue devices should be placed within the specified range to communicate within the Bluetooth Mesh network.

Factory Reset

Method 1: Delete from App

Open the app and access the device settings for the paired device. Be sure that the device is online and select 'Delete'.

Method 2: Rapid Reset Tool

The Rapid Reset process must be done by a professional electrician qualified by RAB. Reach out to your RAB sales manager to request a Rapid Reset Tool. The tool simply needs to be placed directly on the small Lightcloud Blue logo on the device for 2s or until the lamp flashes 3x, then resets to 100% brightness at the default CCT.

Sensor Max Mounting Height

Lightcloud Blue devices should be placed within the specified range to communicate within the Bluetooth Mesh network.

Sensor Detection Range

32 ft. diameter mounted at 39 ft.

CONSTRUCTION

Product Type

HID Replacement

Bulb Shape

Garager Lighter w/ 5-pin sensor port

Enclosure Material

Polycarbonate

Finish

White

Lens Finish

Clear

Base Type

E26

Beam Angle

120°-270° adjustable

INSTALLATION

Installation Method

UL Type B, Ballast Bypass

Installation Orientation

Vertical

COMPLIANCE

Safety Listing

UL Listed

Environment

Suitable for use in dry and damp environments

Fixture Rating

Suitable for use in enclosed fixtures

IP Rating

IP64

Energy Star

No. There is no product category on Energy Star for this lamp to qualify under.

DLC Listed

No. There is no product category on the Design Lights Consortium (DLC) Qualified Products List for this product to qualify under.

California Energy Commission (CEC) Status

Lawful for Sale in California

FCC

Complies with Part 15 of the FCC Rules.

RoHS

Mercury and UV free. RoHS-compliant components.

ELECTRICAL

Dimmable

Yes via the Lightcloud Blue mobile app and devices

This lamp will not operate properly when connected to a standard (incandescent) dimmer or dimming control.

Power Factor

≥0.9

THD

≤20

Input Voltage

120-277V

Operating Frequency

50-60Hz

Surge Protection

4kV

Operating Temperature

-31°F to 104°F (-35°C to 40°C)

Lightcloud Blue-Ready Garage Lighter



TECHNICAL SPECIFICATIONS (CONT.)

LED CHARACTERISTICS

Color Temperature

5000K

Color Accuracy (CRI)

≥80 CRI

R9 Value

High color performance with R9 no less than 0

Color Consistency

<5-step MacAdam Ellipse binning to achieve consistent fixture-to-fixture color

OTHER

Compatible Products

Add the Lightcloud Blue 5-Pin Plug-In Controller with optional sensor to connect to the Lightcloud Blue Bluetooth Mesh Wireless Network Lighting Control System. [Learn more about Lightcloud Blue.](#)

Warranty

RAB warrants that our LED products will be free from defects in materials and workmanship for a period of five (3) years from the date of delivery to the end user, including coverage of light output, color stability, driver performance and fixture finish.

RAB's warranty is subject to all terms and conditions found at rablighting.com/warranty.

Buy American Act Compliance

RAB values USA manufacturing! Upon request, RAB may be able to manufacture this product to be compliant with the Buy American Act (BAA). Please contact customer service to request a quote for the product to be made BAA compliant.

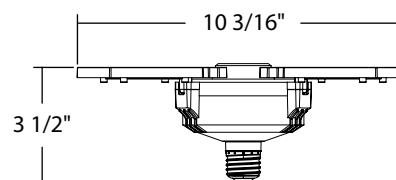
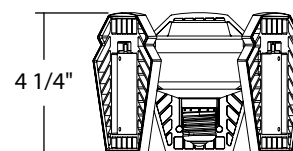
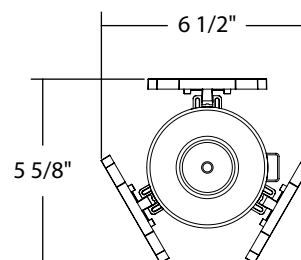
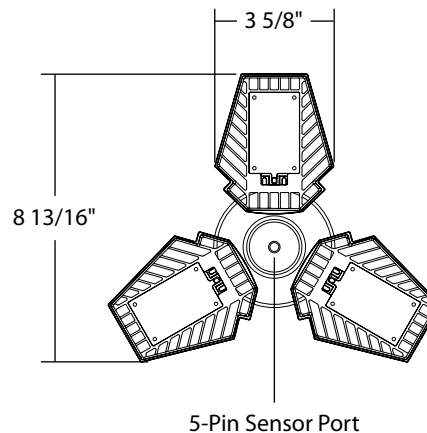
Note

All values are typical (tolerance +/- 10%)

DIMENSIONS

Garage lighter 65W

Weight: 1.42 lbs



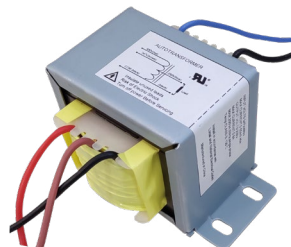
Lightcloud Blue-Ready Garage Lighter



ACCESSORIES (SOLD SEPARATELY)



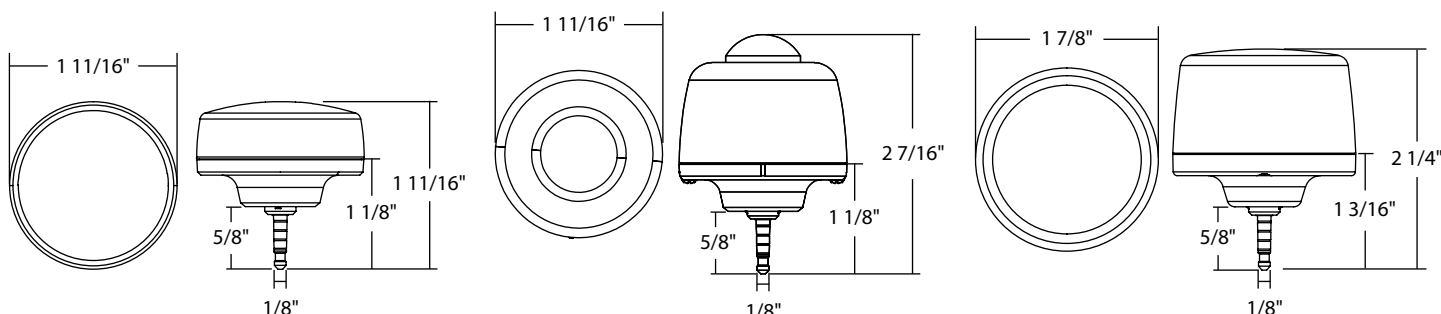
Surge protector



Step down transformer

Catalog Number	UPC	Description
SP10KV	019813749273	HID Replacements 10KV surge protector
XFMR200-480-277	019813833071	HID Replacements XFMR200 transformer 200W 480V

Lightcloud Blue 5-pin controllers/sensors



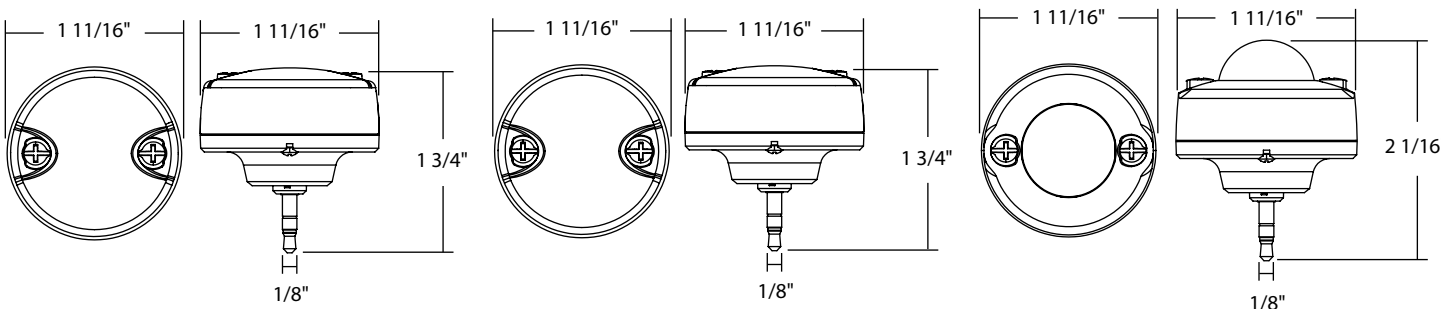
CONTROL/W/AUX/5SP/LCB

CONTROL/W/AUX/5SP/LCBS

CONTROL/W/AUX/5SP/LCBS/MVS

Catalog Number	UPC	Description
CONTROL/W/AUX/5SP/LCB	192552025591	Lightcloud Blue 5-Pin plug-in controller
CONTROL/W/AUX/5SP/LCBS	192552025607	Lightcloud Blue 5-Pin plug-in controller + passive infrared sensor + photocell sensor
CONTROL/W/AUX/5SP/LCBS/MVS	192552025614	Lightcloud Blue 5-Pin plug-in controller + microwave sensor + photocell sensor

3-Pin sensors



SMW-S / MW-S

DAYLIGHT-S

SPIR-S / PIR-S

Catalog Number	UPC	Description
SMW-S	019813834818	Microwave sensor without daylight photocell built in.
MW-S	019813833064	Microwave sensor with daylight photocell built in.
DAYLIGHT-S	019813834832	Daylight sensor
SPIR-S	019813834825	Passive infrared sensor without daylight photocell built in.
PIR-S	019813833057	Passive infrared sensor with daylight photocell built in.

Lightcloud Blue-Ready Garage Lighter



ORDERING INFO

Catalog Number	Model Number	UPC	Case Pack
HID-65-V-E26-850-BYP-GL/LCBR	HID-65-V-E26-850-BYP-GL/LCBR	192552025720	12

ORDERING MATRIX

Family	Wattage		Orientation		Base Type		CRI/Color Temp		Installation Type		Lamp Type		Sensor Port	
HID	-	65	-	V	-	E26	-	850	-	BYP	-	GL	/	LCBR
	65	65W	V	Vertical	E26	Edison Base	850	80CRI, 5000K	BYP	Ballast Bypass	GL	Garage light	LCBR	Lightcloud Blue Ready, 5-Pin Sensor Port