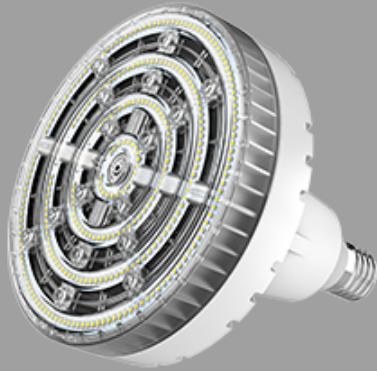


Project:

Type:

Prepared By:

Date:



UPC: 019813908489



Features and Benefits

- Replacement for traditional Metal Halide or High Pressure Sodium HID Lamps
- Integral Driver enables lamp to be wired directly to line voltage without need for an external driver or ballast
- Rated for use in enclosed and open fixtures in dry or damp locations
- 4kV surge protection built in
- 50,000 hour Lifespan
- Environmentally friendly, no mercury used
- UL Listed, UL Classified, DLC Listed
- Lamp includes on board low-voltage AUX port for lamp level sensor accessories
- 5 Year Limited Warranty
- Compatible with RAB specified 0-10V dimming system

Technical Specifications

Performance

Product Type:

HID Replacement

Input Wattage:

115W

Lumens (Nominal):

15,500lm

Efficacy:

135lm/W

L70 Lifespan:

50,000-Hour LED lifespan based on IES LM-80 results and TM-21 calculations

Wattage Equivalency:

400W

Dimming:

Compatible with RAB specified 0-10V dimming system. Dimming capabilities were tested and verified on Legrand RH4FBL3PTC 0-10V dimming system.

LED Characteristics

Color Accuracy (CRI):

80

Color Temperature:

4000K

Construction

Bulb Shape:

High Bay

Enclosure Material:

Polycarbonate & Metal heat sink

Housing Finish:

White

Base Type:

EX39

Electrical

THD:

<20%

Power Factor:

>0.9

Input Voltage:

100-277V

Operating Frequency:

60 Hz

Operating Temperature:

-30°C to 60°C

Surge Protection:

4kV

Installation

Installation Method:

UL Type B, Ballast Bypass

Burning Position:

Base Up

Other

Technology EQ:

Metal Halide or High Pressure Sodium

Technical Specifications (continued)

Warranty:

The RAB 5-year, limited warranty covers light output, driver performance and paint finish. RAB's warranty is subject to all terms and conditions found at rablighting.com/warranty.

Compliance

Listings:

UL Listed, UL Classified

Environment/Fixture Rating:

Damp / Enclosed

IP Rating:

IP64

RoHS:

Mercury and UV free. RoHS-compliant components.

FCC:

Complies with Part 15B of the FCC Rules

Model Number for Certification:

H10038(HID-115-V-EX39-840-BYP-HB-ECO)

DLC Listed:

This product is on the Design Lights Consortium (DLC) Qualified Products List and is eligible for rebates from DLC Member Utilities. Designed to meet DLC 5.1 requirements.
DLC Product Code: PLKVJAK3I0K9

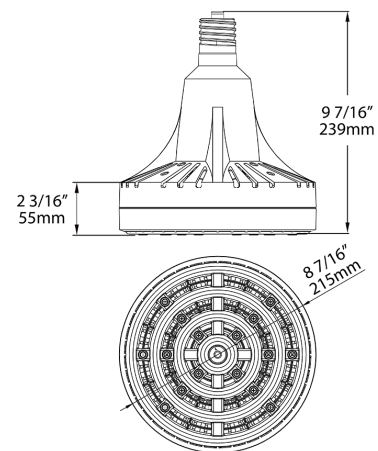
Minimum Compartment Size

Length x Width x Height [in]	Lamp Quantity
17	1

Case and Pallet Dimensions

	QTY	LENGTH (in)	WIDTH (in)	HEIGHT (in)
CASE	4	0	0	0
PALLET	48	0	0	0

Dimension



Light Distribution

