

# HAZFFLED Hazardous Locations Floodlights



## HAZFFLED 30-60W



Slipfitter Mount Yoke Mount

## HAZFFLED 100-150W



Slipfitter Mount Yoke Mount

## HAZFFLED 200W



Slipfitter Mount Yoke Mount

## HAZFFLED - Class 1, Div 2 Floodlights



0-10V



100,000 HOURS



WET RATED



IP RATING

PROJECT: \_\_\_\_\_

DATE: \_\_\_\_\_

TYPE: \_\_\_\_\_

PREPARED BY: \_\_\_\_\_



### KEY FEATURES

- Floodlights for hazardous locations, available in **three** sizes and **five** wattages: Small: 30W, 60W Medium: 100W, 150W Large: 200W
- **5000K CCT**
- Certified for **Class 1, Div 2, Groups A, B, C, D** and has a temperature rating of **T4A**
- Ideal for use in: petroleum refineries, fuel servicing areas, utility gas plants, and aircraft hangars
- **120-277V. 480V** available on 150W models
- Available accessories: Wire guards and hoods. Adjustable mounting arm available for small & medium models
- Yoke mount standard, slipfitter option available
- **IP66** Rated
- 5-year, no-compromise warranty

## TECHNICAL SPECIFICATIONS

### COMPLIANCE

#### UL Listed

Suitable for wet locations. Suitable for mounting within 1.2m (4ft) of the ground.

#### DLC Listed

This product is on the Design Lights Consortium (DLC) Qualified Products List and is eligible for rebates from DLC Member Utilities. Designed to meet DLC 5.1 requirements

MODEL#	VOLTAGE	DLC ID
HAZFFLED30	120-277V	S-CTE0WS
HAZFFLED60	120-277V	S-KNUFEM
HAZFFLED100	120-277V	S-Z3XTJA
HAZFFLED150	120-277V	S-6BJ9R0
HAZFFLED150/480	480V	S-S0LTO2
HAZFFLED200	120-277V	S-YBX63C

### COMPLIANCE

#### Hazardous Location Classifications

##### Class 1, Division 2 (Groups A, B, C, D):

Class 1 (Hazardous Material in Surrounding Atmosphere): Flammable vapors or gases may be present

Division 2 (Presence of Hazardous Materials):

Ignitable concentrations of hazards exist only under accidental system breakdowns or abnormal operating conditions

##### Groups A, B, C, D (Hazardous Material in Surrounding Atmosphere):

A = Acetylene

B = Hydrogen, butadiene, ethylene oxide, propylene oxide and acrolein

C = Ethylene, cyclopropane and ethyl ether

D = Acetone, ammonia, benzene, butane, ethanol, gasoline, hexane, methane, methanol, naphta, natural gas, propane & toluene

#### NEC/CE T-CODE

30W: T5

60W-100W : T4A

150W-200W: T4

#### IP Rating

Ingress protection rating of IP66 for dust and water

#### IESNA LM-79 & LM-80 Testing:

RAB LED luminaires and LED components have been tested by an independent laboratory in accordance with IESNA LM-79 and LM-80.

## TECHNICAL SPECIFICATIONS (CONTINUED)

### CONSTRUCTION

#### Cold Weather Starting

Minimum starting temperature is -40°C (-40°F)

#### Maximum Ambient Temperature

30W model: Suitable for use in up to 60°C (140°F)  
60W-200W Models: Suitable for use in up to 55°C (131°F)

#### Housing

Die-cast aluminum

#### Mounting

Yoke and slipfitter

#### Tilt increment

Slipfitter: 6°

#### Lens

Clear glass

#### Reflector

High-reflective polycarbonate

#### Effective Projected Area

MODEL#	EPA
HAZFFLED30W & 60W	0.67
HAZFFLED 100W & 150W	1.24
HAZFFLED 200W	1.74

#### Gaskets

High-temperature silicone

#### Green Technology

Mercury and UV free. RoHS-compliant components.

#### Finish

Formulated for high durability and long lasting color

### OPTICAL

#### NEMA Type:

NEMA Beam Spread of 7H x 6V

### LED CHARACTERISTICS

#### LEDs

Long-life, high-efficacy, surface-mount LEDs

#### Color Uniformity

RAB's range of Correlated Color Temperature follows the guidelines of the American National Standards for Specifications for the Chromaticity of Solid State Lighting (SLL) Products, ANSI C78.377-2017.

#### Color Consistency

7-step MacAdam Ellipse binning to achieve consistent fixture-to-fixture color.

### ELECTRICAL

#### Drivers:

Constant Current, Class 2, 120-277V, 50/60 Hz  
**30W:** 0.25A @120V, 0.16A @208V, 0.14A @ 240V, 0.12A @ 277V

Constant Current, Class 1, 120-277V, 50/60 Hz  
**60W:** 0.51A @120V, 0.32A @208V, 0.28A @ 240V, 0.24A @ 277V  
**100W:** 0.86A @120V, 0.53A @208V, 0.46A @ 240V, 0.38A @ 277V  
**150W:** 1.24A @120V, 0.88A @208V, 0.69A @ 240V, 0.55A @ 277V  
**200W:** 1.72A @120V, 1.07A @208V, 0.93A @ 240V, 0.76A @ 277V

Constant Current, Class 1, 480V, 50/60 Hz

**150W:** 0.32A at 480V

#### Surge Protection

L/N-G 10KV, L-N 6KV

#### Dimming Driver:

Driver includes dimming control wiring for 0-10V dimming systems. Requires separate 0-10V DC dimming circuit. Dims down to 10%.

#### THD:

**30W:** 6.0% at 120V, 13.7% at 277V  
**60W:** 2.8% at 120V, 7.9% at 277V  
**100W:** 2.1% at 120V, 6.4% at 277V  
**150W:** 3.9% at 120V, 6.4% at 277V  
**150W:** 4.1% at 480V  
**200W:** 7.4% at 120V, 4.9% at 277V

#### Power Factor:

**30W:** 99.5% at 120V, 91.6% at 277V  
**60W:** 99.7% at 120V, 91.2% at 277V  
**100W:** 99.9% at 120V, 96.7% at 277V  
**150W:** 99.8% at 120V, 94.3% at 277V  
**150W:** 97.1% at 480V  
**200W:** 99.6% at 120V, 95% at 277V

Note: All values are typical (tolerance +/- 10%)

### PERFORMANCE

#### Lifespan

100,000-hour LED lifespan based on IES LM-80 results and TM-21 calculations

### OTHER

#### Warranty

The RAB 5-year, limited warranty covers light output, driver performance and paint finish. RAB's warranty is subject to all terms and conditions found at [rablighting.com/warranty](http://rablighting.com/warranty)

#### Buy American Act Compliance:

RAB values USA manufacturing! Upon request, RAB may be able to manufacture this product to be compliant with the BUY American Act (BAA). Please contact customer service to request a quote for the product to be made BAA compliant.

# HAZFFLED Hazardous Locations Floodlights



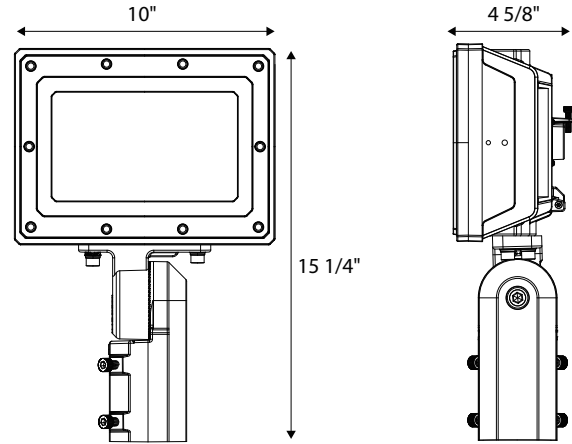
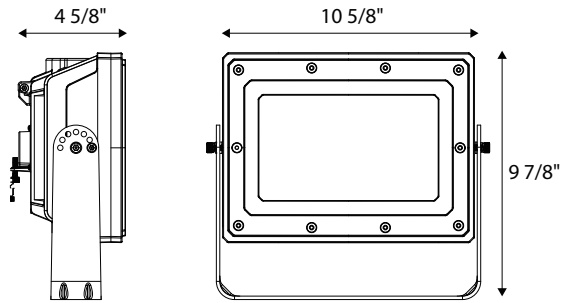
## DIMENSIONS (CONTINUED)

### HAZFFLED30-60W

**Weight:**

Models with yoke mount: 11.8 lbs (30W), 12.1 lbs (60W)

Models with slipfitter mount: 14.0 lbs (30W), 14.3 lbs (60W)

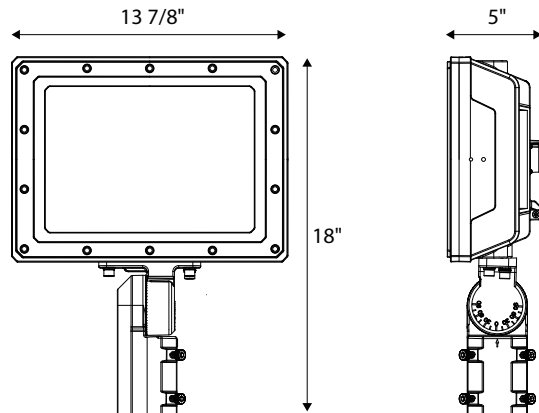
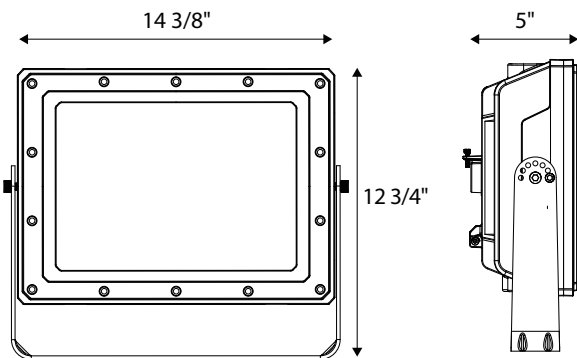


### HAZFFLED100-150W

**Weight:**

Models with yoke mount: 21.6 lbs (100W), 22 lbs (150W)

Models with slipfitter mount: 22.0 lbs (100W), 22.4 lbs (150W)

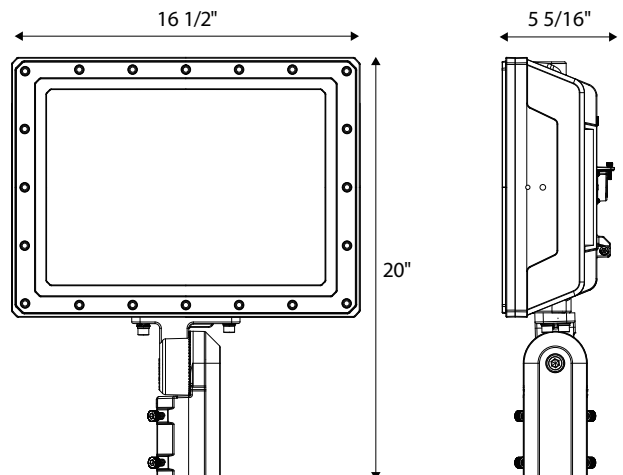
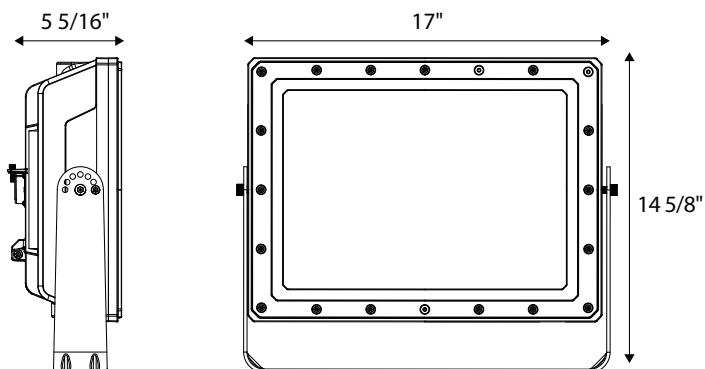


### HAZFFLED 200W

**Weight:**

Models with yoke mount : 31.7 lbs

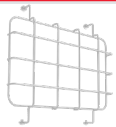
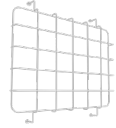





Models with slipfitter mount: 32.0 lbs



# HAZFFLED Hazardous Locations Floodlights



## ACCESSORIES

IMAGE	SKU#	UPC	DESCRIPTION
	GDHAZFFS	192552032414	WIRE GUARD HAZ FLOOD SMALL FOR 30W & 60W
	GDHAZFFM	192552032421	WIRE GUARD HAZ FLOOD MEDIUM FOR 100W & 150W
	GDHAZFFL	192552032438	WIRE GUARD HAZ FLOOD LARGE FOR 200W
	HHAZFFS	192552032445	HOUSING HOOD HAZ FLOOD SMALL FOR 30W & 60W
	HHAZFFM	192552032452	HOUSING HOOD HAZ FLOOD MEDIUM FOR 100W & 150W
	HHAZFFL	192552032469	HOUSING HOOD HAZ FLOOD LARGE FOR 200W
	HAZFF-ADJ-ARM	192552032476	HAZ FLOOD ADJUSTABLE ARM FOR HAZFFLED FIXTURES

## PERFORMANCE

### FIXTURE WITHOUT THE HOOD

HAZFFLED30	5000K
Wattage	30W
Input Watts	29.8W
Lumens	4,798
Efficacy	161
CRI	70
Voltage Ratings	120-277V

HAXFFLED60	5000K
Wattage	60W
Input Watts	61.4W
Lumens	9,540
Efficacy	155.4
CRI	70
Voltage Ratings	120-277V

HAZFFLED100	5000K
Wattage	100W
Input Watts	102.6W
Lumens	16,722
Efficacy	163
CRI	70
Voltage Ratings	120-277V

HAZFFLED150	5000K
Wattage	150W
Input Watts	147.9W
Lumens	23,833
Efficacy	161.1
CRI	71
Voltage Ratings	120-277V

HAXFFLED150/480	5000K
Wattage	150W
Input Watts	148.8W
Lumens	24,590
Efficacy	160.6
CRI	71
Voltage Ratings	480V

HAZFFLED200	5000K
Wattage	200W
Input Watts	205.3W
Lumens	32,979
Efficacy	160.6
CRI	71
Voltage Ratings	120-277V

# HAZFFLED Hazardous Locations Floodlights



## PERFORMANCE (CONTINUED)

### FIXTURE WITH THE HOOD

HAZFFLED30	5000K
Wattage	30W
Input Watts	29.8W
Lumens	4,158
Efficacy	139.5
CRI	70
Voltage Ratings	120-277V

HAXFFLED60	5000K
Wattage	60W
Input Watts	61.2W
Lumens	8,183
Efficacy	133.7
CRI	71
Voltage Ratings	120-277V

HAZFFLED100	5000K
Wattage	100W
Input Watts	102.5W
Lumens	14,882
Efficacy	145.2
CRI	70
Voltage Ratings	120-277V

HAZFFLED150	5000K
Wattage	150W
Input Watts	147.2W
Lumens	21,009
Efficacy	142.7
CRI	71
Voltage Ratings	120-277V

HAXFFLED150/480	5000K
Wattage	150W
Input Watts	148.5W
Lumens	21,771
Efficacy	146.6
CRI	71
Voltage Ratings	480V

HAZFFLED200	5000K
Wattage	200W
Input Watts	205.6W
Lumens	29,972
Efficacy	145.8
CRI	71
Voltage Ratings	120-277V

## ORDERING MATRIX

### HAZFFLED

Family	Wattage		Mounting		Color Temp		NEMA Type		Finish		Voltage	
HAZFFLED												
	30	30W	BLANK	Yoke	BLANK	5000K	BLANK	7H X 6V	BLANK	Gray	BLANK	120-277V, 0-10V dimming
	60	60W	SF	Slipfitter							/480 *	480V, 0-10V dimming
	100	100W										
	150	150W										
	200	200W										

\* 480V option only available on 150W model