

# Fire-Resistant Wafer



PROJECT: \_\_\_\_\_

DATE: \_\_\_\_\_

TYPE: \_\_\_\_\_

PREPARED BY: \_\_\_\_\_



- ### KEY FEATURES
- Super slim, edge-lit fixture for thin fixture depth
  - 5 color temperatures in 1 SKU (2700K, 3000K, 3500K, 4000K, 5000K)
  - No recessed housing or j-box required
  - All FWAFAER models have been tested to UL 263 and ASTM E119 standards for 2-hour fire resistance.
  - TRIAC/ELV dimming (see Dimmer Compatibility List)
  - Spring-loaded retention clips
  - New construction or retrofit applications
  - 50,000-Hour lifespan

## Field-Adjustable, Fire-Resistant Wafer, 90 CRI



### PERFORMANCE

Catalog Number	Size	Shape	Trim	Equivalency	Lumens	Wattage	Efficacy	CRI	Color Temperature	L70 Lifetime
FWAFER4	4"	Round	Smooth	60W Incandescent	957 Lm	11W	87 Lm/W	90+	Field-Adjustable 2700/3000/3500/4000/5000K	50,000 hrs
FWAFER4B			Baffle							
FWAFER6	6"	Round	Smooth	75W Halogen	1,330 Lm	15W	89 Lm/W			
FWAFER6B			Baffle							

### 4" Fire-Resistant Wafer

Catalog Number	Wattage	CCT	Efficacy	Lumens	Equivalency Wattage
FWAFER4 FWAFER4B	11W	2700K	84 Lm/W	919Lm	60W Incandescent
		3000K	87 Lm/W	957 Lm	
		3500K	90 Lm/W	991 Lm	
		4000K	90 Lm/W	988 Lm	
		5000K	84 Lm/W	929 Lm	

### 6" Fire-Resistant Wafer

Catalog Number	Wattage	CCT	Efficacy	Lumens	Equivalency Wattage
FWAFER6 FWAFER6B	15W	2700K	85 Lm/W	1,270 Lm	75W Halogen
		3000K	88 Lm/W	1,313 Lm	
		3500K	91 Lm/W	1,364 Lm	
		4000K	92 Lm/W	1,378 Lm	
		5000K	88 Lm/W	1,327 Lm	

## TECHNICAL SPECIFICATIONS

### CONSTRUCTION

**Product Type**

Edge-lit wafer

**Size**

4" and 6"

**Shape**

Round

**Enclosure Material**

Metal

**Finish**

White + Red

**Trim Style**

Smooth or Baffle

**Lens**

Polycarbonate light diffuser distributes light evenly and smoothly for general lighting applications

**Cut Out Template Size**

4" : 4-5/16"

6" : 6-5/16"

### COMPLIANCE

**Fire Resistant**

All FWAFAER models have been tested to UL 263 and ASTM E119 standards for 2-hour fire resistance.

**Environment/Fixture Rating**

Suitable for indoor and outdoor use in dry, damp, and wet environments.

**IC Rated**

Suitable for direct contact with insulation

**Energy Star Approved**

This product is ENERGY STAR® Version 2.2 Certified.

**Air Tight**

Housing certified Air Tight as per ASTM E283

**T20 Compliant**

Not applicable

**California Title 24 JA8 Compliant**

Can be used to conform with the requirements of California Title 24 Part 6

**California Energy Commission (CEC) Status**

Lawful for Sales in California

**IESNA LM-79 & LM80 Testing**

RAB LED luminaires and LED components have been tested by an independent laboratory in accordance with IESNA LM-79 and LM-80.

**FCC**

Complies with Part 15 of the FCC Rules.

**RoHS**

Mercury and UV free. RoHS-compliant components.

### INSTALLATION

**Mounting**

Recessed

**Installation**

- Tall spring towers allow to be installed in 3/8" up to 5/8" thick ceilings
- Round ceiling cutout template provided in box
- Heat treated springs hold fixture fitting securely in the ceiling eliminating light leaks
- Housing is less than 1/2" thick
- Can be removed from below the ceiling for service or replacement

**Remote Driver/Junction Box**

Die formed metal driver / junction box with captive hinged junction box cover. Recessed CCT Selectable dipswitch. Listed for (6) #12 AWG 90° C splice conductors, 2-in, 2-out plus (2) ground. (4) 1/2" conduit pry-outs. (3) quick snap-in connectors for quick and reliable line voltage connections. Integral mounting facilitates direct mounting to building structure or mounting frame.

### ELECTRICAL

**Dimming**

Yes, using compatible TRIAC/ELV dimming systems. Dimmable down to 10%.  
(See *Dimmer Compatibility List*)

**Driver**

4" : Constant Current, Class 2, 60 Hz, 120V, 120V: 0.11A

6" : Constant Current, Class 2, 60 Hz, 120V, 120V: 0.14A

**THD**

≤20%

**Power Factor**

≥0.9

**Input Voltage**

120V

**Operating Frequency**

60Hz

**Operating Temperature**

-4°F to 104°F (-20°C to 40°C)

**Flicker**

5%

### LED CHARACTERISTICS

**Color Temperature**

Field-Adjustable dip switch 5000/4000/3500/3000/2700K

**Color Accuracy (CRI)**

>90 CRI

**R9 Value**

High color performance with R9 greater than or equal to 50

**Color Consistency**

4-step MacAdam Ellipse binning to achieve consistent fixture-to-fixture color

## TECHNICAL SPECIFICATIONS (CONT.)

### LED CHARACTERISTICS

#### Color Stability

LED color temperature is warranted to shift no more than 200K in color temperature over a 5-year period

#### Color Uniformity

RAB's range of Correlated Color Temperature follows the guidelines of the American National Standard for Specifications for the Chromaticity of Solid State Lighting (SSL) Products, ANSI C78.377-2017.

#### Beam Angle

90-degree

### OTHER

#### Warranty

RAB warrants that our LED products will be free from defects in materials and workmanship for a period of five (5) years from the date of delivery to the end user, including coverage of light output, color stability, driver performance and fixture finish.

RAB's warranty is subject to all terms and conditions found at [rablighting.com/warranty](http://rablighting.com/warranty).

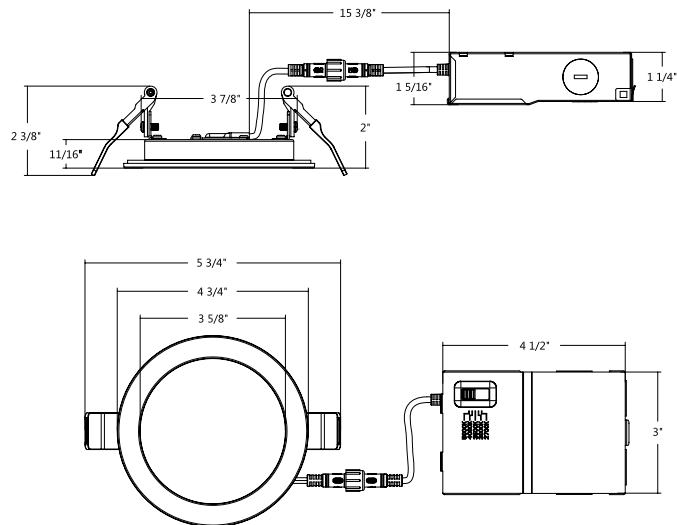
#### Note

All values are typical (tolerance +/- 10%)

## DIMENSIONS

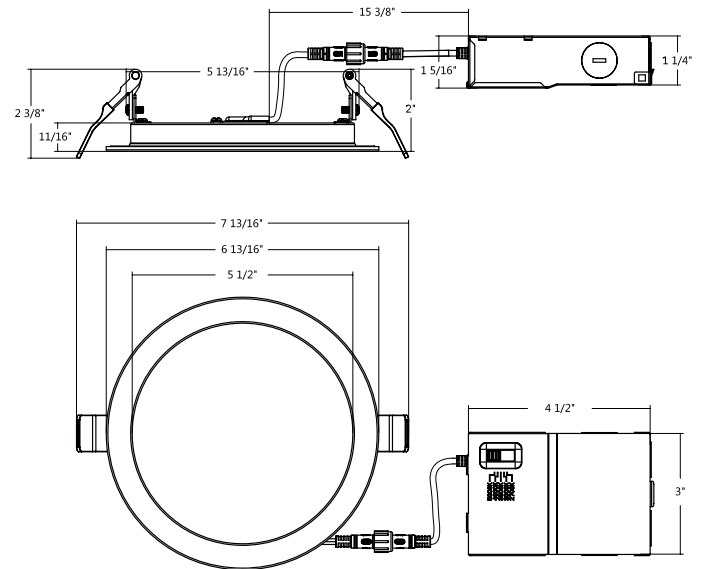
### 4" Smooth, Round

Weight: 1.02 lbs



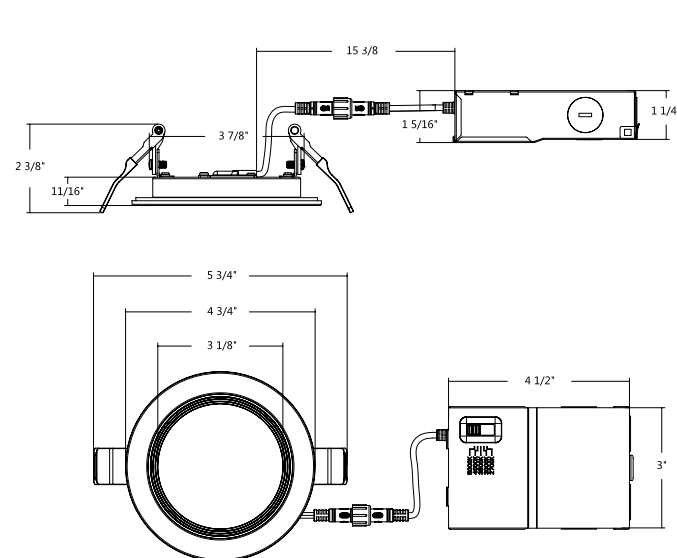
### 6" Smooth, Round

Weight: 1.36 lbs



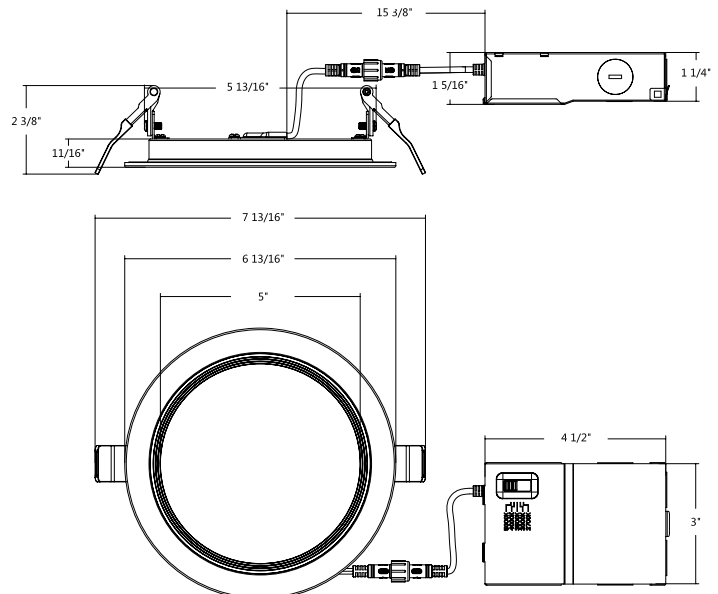
### 4" Baffle, Round

Weight: 1.02 lbs



### 6" Baffle, Round

Weight: 1.36 lbs



## ACCESSORIES

### Extension Cables



Catalog Number	UPC	Description
EXTCBL-FA-6	019813908502	6-foot extension cable
EXTCBL-FA-12	019813908519	12-foot extension cable
EXTCBL-FA-20	019813908526	20-foot extension cable

### Emergency Drivers



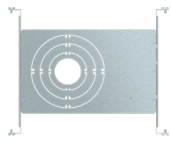
DRI-25-EMGR-DC



DRI-21-EMGR-DC-D10

Catalog Number	UPC	Description
DRI-25-EMGR-DC	019813519180	EM DRIVER 100-277V 8WINPUT OUTPUT 25W 170VDC
DRI-21-EMGR-DC-D10	0192552028264	EM DRIVER 100-277V 21W-300W 0-10V DIM

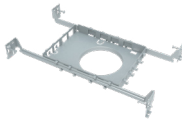
### Mounting Plates



DLPLATE/WFR3468/NB



DLPLATE/WFR3456



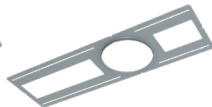
DLPLATE/WFR4/NB/CL



DLPLATE/WFR6/NB/CL



DLPLATE/WFR4



DLPLATE/WFR6

Catalog Number	UPC	Description
DLPLATE/WFR3468/NB	0192552000673	MOUNTING PLATE WITH NAILER BAR FOR WAFER 3/4/6/8IN
DLPLATE/WFR3456	0192552025584	DL ECO MOUNTING PLATE GREY FOR WAFER 3"/4"5"6"
DLPLATE/WFR4/NB/CL	0192552036993	MOUNTING PLATE FOR WAFER 4" W/ DRYWALL COLLAR & EXTENSION BAR
DLPLATE/WFR6/NB/CL	0192552037006	MOUNTING PLATE FOR WAFER 6" W/ DRYWALL COLLAR & EXTENSION BAR
DLPLATE/WFR4	0192552039819	4" Wafer mounting plate w/o Nailer Bar
DLPLATE/WFR6	0192552039826	6" Wafer mounting plate w/o Nailer Bar

## ORDERING INFO

Catalog Number	Model Number (Energy Star)	UPC	Case Pack
FWAFER4	DLW0096(FWAFER4)	192552030021	6
FWAFER4B	DLW0098(FWAFER4B)	192552028806	6
FWAFER6	DLW0097(FWAFER6)	192552030038	6
FWAFER6B	DLW0099(FWAFER6B)	192552028813	6

## ORDERING MATRIX

Family	Size	Shape	CRI/Color Temp	Voltage	Finish	Trim						
FWAFER	4 6	4" Blank 6" Round	Blank	90CRI; 2700K/3000K/3500K/4000K/5000K Field-Adjustable	Blank	120V	Blank	White + Red	Blank	B	Smooth	Baffle