



UPC: 192552005579



Color: Clear



Weight: 1.5 lbs

|              |       |
|--------------|-------|
| Project:     | Type: |
| Prepared By: | Date: |

**Technical Specifications**

**Performance**

**Product Type:**

Reflector

**Input Wattage:**

8.5W

**Lumens (Nominal):**

650lm

**Efficacy:**

76.5lm/W

**L70 Lifespan:**

15,000-Hour LED lifespan based on IES LM-70 results

**Wattage Equivalency:**

Equivalent to 65W Halogen

**Compliance**

**UL Listed:**

Suitable for damp locations

**Enclosed Fixtures:**

Suitable for use in enclosed fixtures

**LED Characteristics**

**Color Temperature:**

2700K

**Color Accuracy (CRI):**

80 CRI

**Electrical**

**Power Factor:**

0.7

**Dimmable:**

Yes

**Operating Temperature:**

-20°C to 45°C (-4°F to 113°F)

**Input Voltage:**

120V

**Operating Frequency:**

60 Hz

**Construction**

**Bulb Shape:**

BR30

**Base Type:**

E26 Edison

**Endcap Material:**

Aluminum

**Enclosure Material:**

Plastic

**Optical**

**Beam Angle:**

120°

**Other**

**Warranty:**

RAB warrants that our LED products will be free from defects in materials and workmanship for a period of three (3) years from the date of delivery to the end user, including coverage of light output, color stability, driver performance and fixture finish. RAB's warranty is subject to all terms and conditions found at [rablighting.com/warranty](http://rablighting.com/warranty).

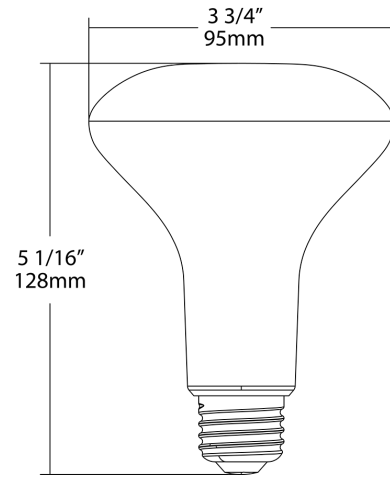
**Buy American Act Compliance:**

RAB values USA manufacturing! Upon request, RAB may be able to manufacture this product to be compliant with the Buy American Act (BAA). Please contact customer service to request a quote for the product to be made BAA compliant.

Case and Pallet Dimensions

|        | QTY | LENGTH (in) | WIDTH (in) | HEIGHT (in) |
|--------|-----|-------------|------------|-------------|
| CASE   | 24  | 19.9        | 14.6       | 20          |
| PALLET | 720 | 45.47       | 41.34      | 41.34       |

Dimension



Features

- Energy efficient replacement for incandescent and halogen reflector lamps
- Constructed from durable plastic which lowers risk of breakage
- Rated for use in enclosed and open fixtures in dry or damp locations
- Frosted lens produces smooth diffuse light
- Longer lifespan compared to legacy equivalents minimizes replacement and maintenance costs
- ENERGY STAR Compliant
- Dimmable with common dimmer types (see Dimmer Compatibility List)

Ordering Matrix

| Family | Wattage    | CRI/Color Temp   | Dimmable       | Economy       | Pack      |
|--------|------------|--|----------------|---------------|-----------|
| BR30   | 8.5        | 827  | DIM            | ECO           | 6PK       |
|        | 8.5 = 8.5W | 850 = 80 CRI, 5000K<br>840 = 80 CRI, 4000K<br>830 = 80 CRI, 3000K<br>827 = 80 CRI, 2700K | DIM = Dimmable | ECO = Economy | 6PK = 6PK |