



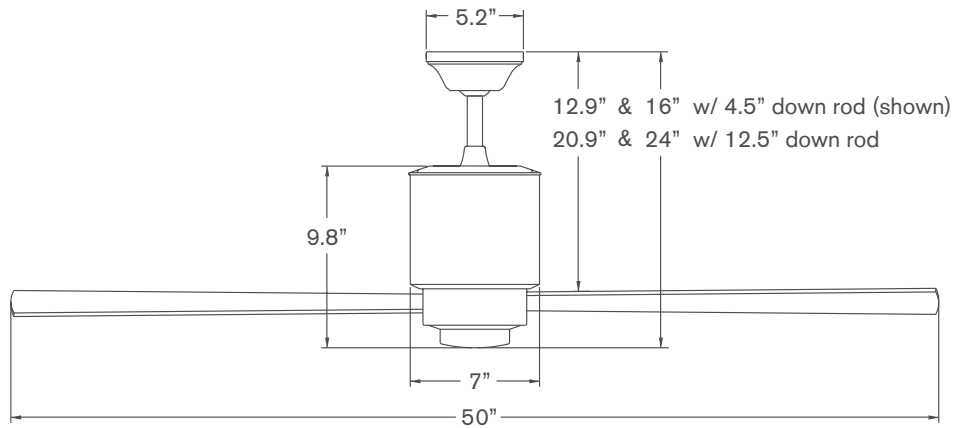
# Lapa



Lapa > Configure item number from attributes below.

#LAP	Finish	Blade Span	Blade Color	Light Option	Control Option
-	-	-	-	-	-
▲	▲	▲	▲	▲	▲
	<b>GW</b> Gloss White	<b>50</b> 50" Span	<b>WH</b> White	<b>NL</b> No Light	<b>001</b> Fan Speed Only
	<b>BN</b> Bright Nickel		<b>NK</b> Nickel	<b>552</b> 17W LED	<b>002</b> Fan & Light – 3 Wire
	<b>GV</b> Galvanized		<b>SV</b> Silver		<b>003</b> Handheld Remote
	<b>DB</b> Dark Bronze		<b>BK</b> Black		<b>004</b> Fan & Light – 2 Wire
			<b>MP</b> Maple		<b>005</b> Wall/Remote Combo
			<b>MG</b> Mahogany		

## Dimensions



## Specifications

- 153mm x 18mm AC motor with reverse switch on fan body
- Stamped and spun steel construction
- 50" span, plywood blades
- Includes 4.5" and 12.5" down rods (longer options also available)
- Optional LED Light: 17W, 90 CRI, 3000K, 1600 lumens (dimmable) behind an opal glass diffuser; adds 3.5" to length of fan; CA Title 24, JA8-2019 compliant
- Slope compatible up to 33°; adapter available for slopes up to 45°
- Designed by Ron Rezek
- ETL listed for dry and damp locations
- Weight: 16 lbs (7.3 kgs)

## Performance Data

### LOWEST SPEED

**RPM:** 70  
**CFM:** 1,615  
**Watts:** 10.88  
**CFM/W:** 148

### HIGHEST SPEED

**RPM:** 190  
**CFM:** 4,626  
**Watts:** 60.85  
**CFM/W:** 76

## Energy Guide Data

**Average Energy Use**  
38 Watts

**Average Airflow**  
3,215 CFM

**Yearly Energy Cost**  
\$11

**Average Efficiency**  
84 CFM/Watt

*Energy Guide Data represents weighted averages of low speed and high speed performance, assuming typical use (excluding light). For more information, visit [www.modernfan.com](http://www.modernfan.com).*

# Lapa

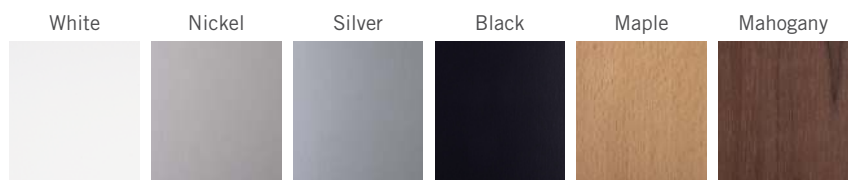


## FAN FINISHES



## PLYWOOD BLADES

Plywood blades are constructed of furniture grade veneers, painted or stained as shown here. Natural variations may exist in woodgrains and finishes.



## LAPA FAN CONTROLS

Selection of a control option is made at time of order and incorporated into the fan item number (except #FC-009A and #FC-009B which are sold as accessory items).



**#FC-001**  
**Fan Speed Only Control**  
*(no light)*  
For a single AC fan, providing four speeds. Not intended for a fan with light. *Note: Not compatible with remote control.*



**#FC-002**  
**Fan & Light Control-3 Wire**  
For a single AC fan with LED light, providing four speeds and dimming function. Requires three wires from switch location to fan. *Note: Not compatible with remote control.*



**#FC-003-LED**  
**Handheld Remote RF Control**  
Designed for independent operation a single AC fan or AC fan with LED light, providing three speeds and full range dimming (or "on/off" switching), using only one circuit (two wires). Includes RF handset, receiver, battery and comes with a wall mounting bracket for handset.



**#FC-004-LED Fan & Light RF Control-2 Wire**  
Designed for independent operation of a single AC fan or AC fan with LED light, providing three speeds and full range dimming (or "on/off" switching), using only one circuit (two wires). Includes RF wall control (with master power switch), switch plate and receiver.



**#FC-005-LED**  
**Wall/Remote Combo RF Control-2 Wire**  
Designed for independent operation of a single AC fan or AC fan with LED light, providing three speeds and full range dimming (or "on/off" switching), using only one circuit (two wires). Includes RF handset, RF wall control (with master power switch), switch plate and receiver.



**#FC-009A / #FC-009B**  
**Multi-fan Speed Controls for AC Fans**  
*(no lights)*  
Sold as an accessory item, providing three speeds for multiple AC fans on a single switch leg.  
FC-009A for 2-3 fans  
FC-009B for 3-6 fans  
*Note: Not compatible with remote control. Control of fan lights must be accounted for separately with owner provided control on separate switch leg.*

## DOWN RODS

The Lapa ships standard with 4.5" and 12.5" down rods. Use the following part numbers to order accessory down rods.

#DRD	Finish	Length
-	-	-
▲	-	▲
GW	Gloss White	12 12"
BN	Bright Nickel	24 24"
GV	Galvanized	36 36"
DB	Dark Bronze	48 48"
		60 60"
		72 72"

## SLOPE ADAPTER

The Lapa will accommodate ceiling slopes up to 33 degrees. The #045 slope adapter can accommodate slopes exceeding 33 degrees and up to 45 degrees.

#045	Finish
-	-
▲	-
GW	Gloss White
BN	Bright Nickel
GV	Galvanized
DB	Dark Bronze