



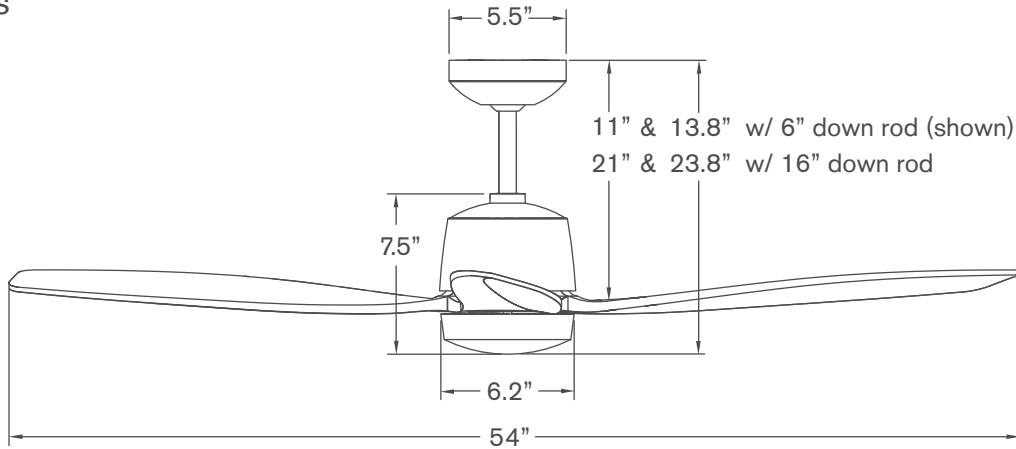
# Arbor DC



Arbor DC > Configure item number from attributes below.

#ARB	Finish	Blade Span	Blade Color	Light Option	Control Option
-	-	-	-	-	-
	▲ <b>GW</b> Gloss White <b>GT</b> Graphite <b>DB</b> Dark Bronze	▲ <b>54</b> 54" Span	▲ <b>EB</b> Ebony <b>GY</b> Graywash <b>MP</b> Maple <b>MG</b> Mahogany <b>WW</b> Whitewash	▲ <b>NL</b> No Light <b>870</b> 17W LED	▲ <b>WC</b> Wall Control <b>RC</b> Remote Control <b>CC</b> Wall/Remote Combo

## Dimensions



## Specifications

- 6-speed, reversible DC motor
- Die cast aluminum construction
- 54" span, solid wood blades
- Includes 6" and 16" down rods (longer options also available)
- Optional LED light: 17W, 90 CRI, 3000K, 1530 lumens (dimnable) behind opal glass diffuser; adds 0.75" to length of fan; CA Title 24, JA8-2019 compliant
- Slope compatible up to 33°; adapter available for slopes up to 45°
- Designed by Dave Ellis
- ETL listed for dry and damp locations
- Weight: 13.0 lbs (5.9 kgs)

## Performance Data

### LOWEST SPEED

**RPM:** 55  
**CFM:** 1,416  
**Watts:** 2.56  
**CFM/W:** 553

### HIGHEST SPEED

**RPM:** 205  
**CFM:** 5,312  
**Watts:** 30.68  
**CFM/W:** 173

## Energy Guide Data

**Average Energy Use**  
20 Watts

**Average Airflow**  
3,486 CFM

**Yearly Energy Cost**  
\$5

**Average Efficiency**  
179 CFM/Watt

*Energy Guide Data represents weighted averages of low speed and high speed performance, assuming typical use (excluding light). For more information, visit [www.modernfan.com](http://www.modernfan.com).*

# Arbor DC

Gloss White with Whitewash Blades (no light)



Graphite with Maple Blades (no light)



Dark Bronze with Ebony Blades and 870 LED Light



## FAN FINISHES

Gloss White    Graphite    Dark Bronze



## SOLID WOOD BLADES

Solid wood blades are CNC milled from a light-weight and stable, plantation grown Paulownia, then hand-finished as shown here.

Ebony    Graywash    Maple    Mahogany    Whitewash



## ARBOR DC CONTROLS

Arbor DC controls use RF transmission to a receiving unit included with each fan, providing six speeds, reversing and light function (on/off or dimming). Control selection is made at time of order and incorporated into fan item number. Controls utilize dedicated (unique) RF channels to avoid interference with other ceiling fans installed nearby. The wall control (if ordered) also includes a master power switch.

### Wall Control (WC)



### Remote Control (RC)



### Wall/Remote Combo (CC)



\* The Arbor DC must use one of the above control options. Third party fan controls are not compatible with this product. The Remote Control (RC) can be used in combination with a standard power switch (on-off) in wall box.

\*\* Wall control unit is designed for operation of a single fan/fan light only. For multiple units on a single switch leg, the remote control option can be used if the fans are within suitable range. Contact Modern Fan customer support with questions or for additional guidance.

\*\*\* To replace lost or damaged control components or to add secondary control to existing control sets (e.g. to add a handset to an existing wall control system), contact Modern Fan Co. customer support for ordering guidance.

## DOWN RODS

The Arbor DC ships standard with 6" and 16" down rods. Use the following part numbers to order accessory down rods.

#DRD	Finish	Length
-	-	-
▲		▲
<b>GW</b>	Gloss White	<b>12 12"</b>
<b>GT</b>	Graphite	<b>24 24"</b>
<b>DB</b>	Dark Bronze	<b>36 36"</b>
		<b>48 48"</b>
		<b>60 60"</b>
		<b>72 72"</b>

## SLOPE ADAPTER

The Arbor DC will accommodate ceiling slopes up to 33 degrees. The #045 slope adapter can accommodate slopes exceeding 33 degrees and up to 45 degrees.

#045	Finish
-	-
▲	
<b>GW</b>	Gloss White
<b>GT</b>	Graphite
<b>DB</b>	Dark Bronze