

## DESCRIPTION

Lanterra 1004-A1 (one head) is a 4.25" O.D., line voltage Accent Flood light with dimmable LED. It is available with adjustable rear center swivel with lock rotation providing 180 degree tilt and 340 degree rotation. The luminaire comes with various mounting, field replaceable optics. It also comes with various lens, louvers and colors or dichroic filters, which can combine up to two at once to create multiple lighting effects. The fixture may be used indoors or outdoors and carries IP66 rating.

## SPECIFICATION FEATURES

### Material

Housing, hood and mounting stem are precision-machined from corrosion resistant billet stock 6061-T6 aluminum.

### Finish

Fixtures constructed from 6061-T6 aluminum are double protected by an ROHS compliant chemical film undercoating and polyester powder coat paint finish, surpassing the rigorous demands of the outdoor environment. A variety of standard colors are available. Options to meet Buy American Act requirements

### Hood

Hood is removable and accepts up to two internal accessories at once (lenses, louvers and filters) to achieve multiple lighting effects. Weep holes prevents water and mineral stains from collecting on the lens, even in the straight up position. The flush lens design reduces fixture length, minimizes debris collection and prevents water and mineral stains from collecting on the lens.

### Gasket

Housing and hood are sealed with a high temperature silicone O-ring gasket to prevent water intrusion.

### Lens

Tempered glass lens, factory sealed with high temperature silicone O-ring to prevent water intrusion and breakage due to thermal shock.

### Hardware

Stainless steel hardware is standard to provide maximum corrosion resistance.

### Electrical

Long life LED system coupled with electronic driver (120-277V/50-60Hz) is compatible with TRIAC (Leading Edge Dimming), ELV (Trailing Edge Dimming) and 0-10V dimming to deliver optical performance. It will operate in -30°C to 50°C unless noted otherwise. The driver incorporates surge protection. Light can be dimmed from 100-1% while maintaining constant CCT. LED's are available in 2700K, 3000K, 3500K at 90CRI and 97CRI, 4000K at 80CRI and

<b>Catalog #</b>		<b>Type</b>	
<b>Project</b>		<b>Date</b>	
<b>Comments</b>			
<b>Prepared by</b>			

97CRI, 5000K at 80CRI and are industry leading high output with 87% lumen maintenance at 60,000hrs.

### Compliance

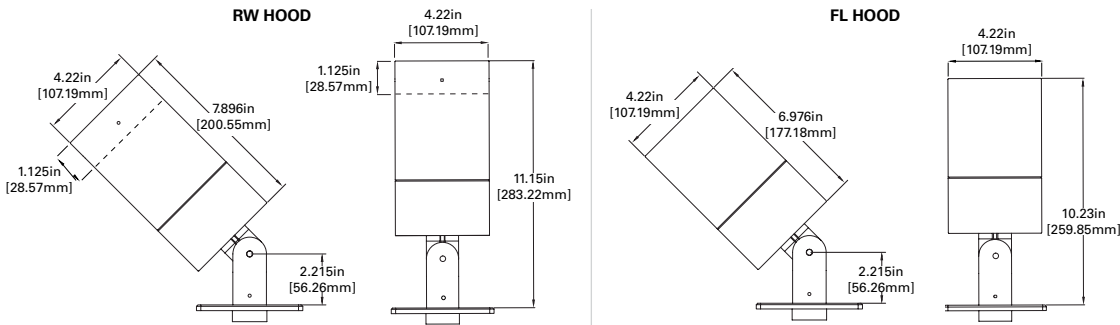
Components are UL recognized and luminaires are cULus listed for 50°C ambient environments unless noted otherwise, wet location listed, and ROHS compliant. IP66 Rated. DesignLights Consortium® Qualified and classified for both DLC Standard and DLC Premium, refer to [www.designlights.org](http://www.designlights.org) for details.

### Warranty

Lumiere warrants the Lanterra series of fixtures against defects in material and workmanship for five (5) years. Auxiliary equipment such as LED drivers carries the original manufacturer's warranty.



## DIMENSIONS



## ORDERING INFORMATION

DOMESTIC PREFERENCES <sup>5</sup>	SERIES	NUMBER OF HEADS	KNUCKLE STYLE	HOOD	LED CCT & CRI	FIELD REPLACEABLE OPTIC	FINISH	LIGHT LEVEL	VOLTAGE	MOUNTING	OPTIONS
[Blank]=Standard BAA=Buy American Act	1004	A1 1 Head	RCS Rear Center Swivel with Lock Rota- tion	RW Standard- Recessed Lens with weep holes - Outdoor RI Recessed Lens with no weep holes - Indoor FL Flush lens hood	<b>Standard CRI</b> LED2790 - 2700K, 90 CRI LED 3090 - 3000K, 90 CRI LED 3590 - 3500K, 90 CRI LED 4080 - 4000K, 80 CRI LED 5080 - 5000K, 80 CRI <b>Premium CRI</b> LED 2797 - 2700K, 97 CRI LED 3097 - 3000K, 97 CRI LED 3597 - 3500K, 97 CRI LED 4097 - 4000K, 97 CRI	S Spot M Medium F Flood W Wide	<b>Standard Paint Finish</b> BK Black BZ Bronze CS City Silver WT White	L1 Light Level 1 (10W) L2 Light Level 2 (20W) L3 Light Level 3 (30W)	UNV 120- 277V	Surface Mount - Wall, Ceiling, Ground RSM - Round Surface Mount - mounts directly to junction box Thermal Limitations (unless otherwise noted 50C) 1004-A1-xxx-L3-xxx-RSM (45C) <b>Recessed - Ground Mount</b> MB - Ground Mount Recessed Box - Rectangular Housing 10x6x6 (MB Box) Thermal Limitations (unless otherwise noted 50C) <b>Remote Driver Housing</b> WRR <sup>1,4</sup> - Remote Driver Housing - Round Wall WRS <sup>1,4</sup> - Remote Driver Housing - Square Wall Plate TSR <sup>2,1,4</sup> - Tree Strap Mount (1-4) Thermal Limitations (unless otherwise noted 50C) 1004-A1-xxx-L3-xxx-WRx (45C) <b>Integral Driver Mount</b> WIS <sup>1,3</sup> - Wall Integral Driver Plate Thermal Limitations (unless otherwise noted 45C)	SVPD2 <sup>3</sup> Standalone integral sensor

Notes: 1. Only available for single head option (A1)  
2. L3 option not available  
3. Only available for single head option (A1) with RSM only  
4. Remote Driver up to 60', For L3 (30W) remote distance up to 15'

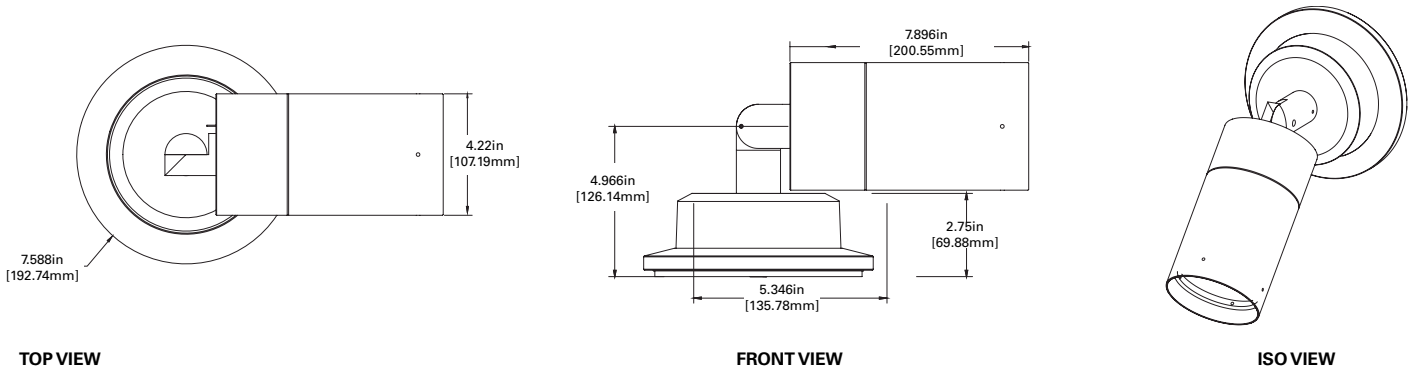
5. Only product configurations with this designated prefix are built to be compliant with the Buy American Act of 1933 (BAA). Please refer to [DOMESTIC PREFERENCES](http://www.designlights.org) website for more information. Components shipped separately may be separately analyzed under domestic preference requirements.  
6. Accessories sold separately will be separately analyzed under domestic preference requirements. Consult factory for further information.

**ACCESSORIES - ORDER SEPARATELY**

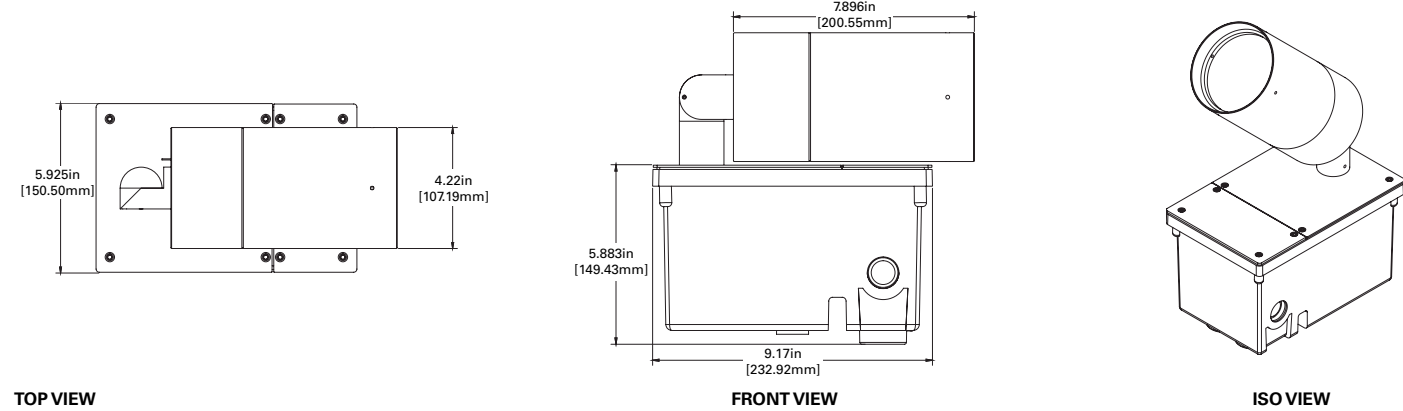
		ACCESSORIES <sup>®</sup>			OPTICS	
ISHH01LUM	Programming Remote for sensor	<b>Filters</b> F71-4 Peach Dichroic F72-4 Amber Dichroic F73-4 Green Dichroic F74-4 Medium Blue F75-4 Yellow Dichroic F76-4 Red Dichroic F77-4 Dark Blue Dichroic F78-4 Light Blue Dichroic F79-4 Neutral Density Dichroic F80-4 Magenta Dichroic F22-4 Red Color F33-4 Blue Color F44-4 Green Color F55-4 Yellow Color F66-4 Mercury Color	<b>Lens</b> LSL-4 Linear Spread Lens DIF-4 Diffused Lens OSL-4 Overall Spread Lens	<b>Louwer</b> LVR-4 45° Hex Cell Louwer	LLR-S-3-4	15° Spot
ISHH02LUM	Personal Control Remote for sensor				LLR-M-3-4	25° Medium
					LLR-F-3-4	36° Flood
					LLR-W-3-4	60° Wide Flood
			LLR-K-3-4	Spot, Medium, Flood, Wide Flood Optic Kit		

**MOUNTINGS**

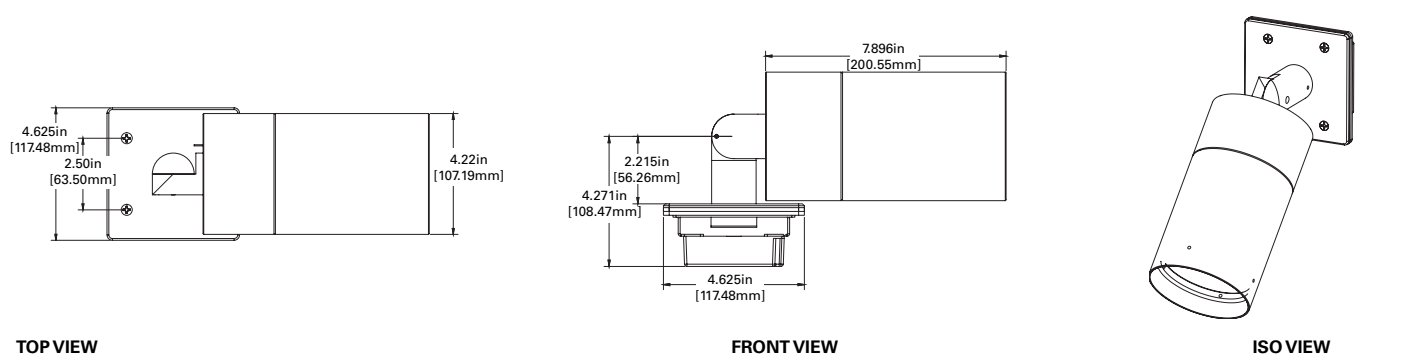
**ROUND SURFACE MOUNT (RSM)**



**GROUND MOUNT RECESSED BOX (MB)**

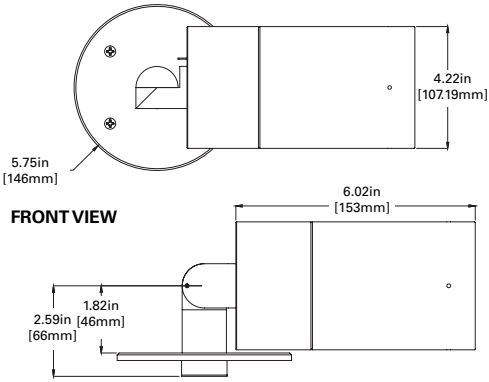


**WALL INTEGRAL DRIVER PLATE (WIS)**



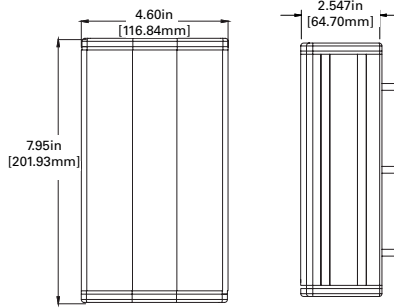
**REMOTE DRIVER HOUSING ROUND WALL (WRR)**

Also available as WRS (wall remote square)



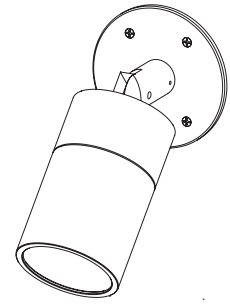
**FRONT VIEW**

**TOP VIEW**



Remote Driver distance up to 60',  
For L3 (30W) Light level remote distance up to 15'

**REMOTE BOX**

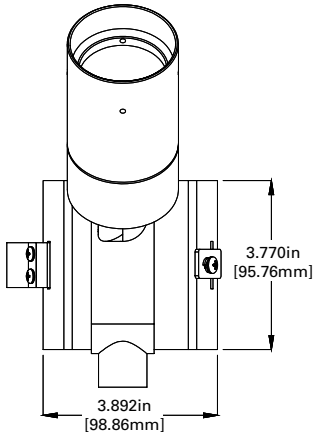


**ISO VIEW**

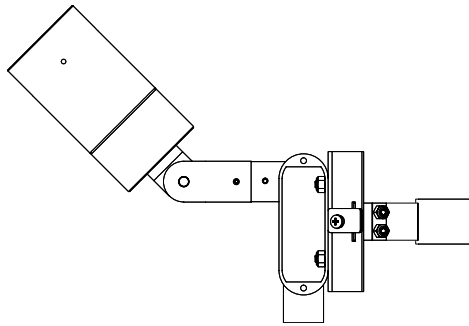
**TREE STRAP MOUNT (TSR2-X)**

2 head shown (available up to 4 heads)

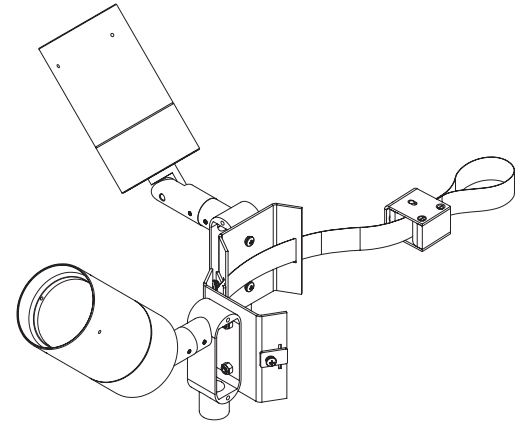
**TREE STRAP WITH FIXTURE MOUNTED**



**FRONT VIEW**

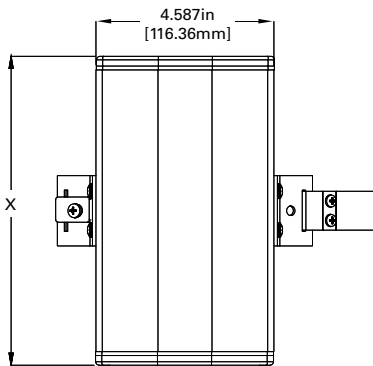


**SIDE VIEW**

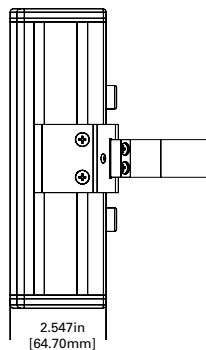


**ISO VIEW (TSR2-2 shown)**

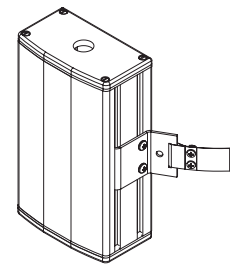
**REMOTE DRIVER HOUSING STRAP**



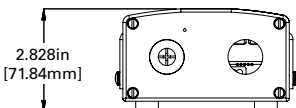
**FRONT VIEW**



**SIDE VIEW**



**ISO VIEW**



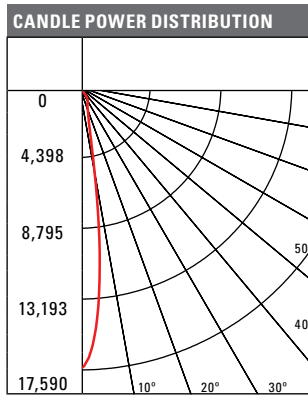
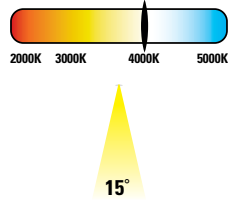
X = 7.95in [201.93mm], for up to 2 head configurations

X = 12.050in [306.07], for 3-4 head configurations

PHOTOMETRICS

Test Number	P29496
Lumcat	1004-[A1, W1]-X-FL-LED4080-S-BK-L3-UNV
Lumens	2801 Lm
Watts	28.6 W
LPW	97.9 Lm/W
CCT	4000K
SC (0/90/45)	0.27 / 0.27 / 0.27
Beam Angle	15.9°

COLOR METRIC SUMMARY	
TM-30-15	Rf = 82.5 Rg = 94.3
CRI/CIE	Ra = 83.1 R9 = 11.4

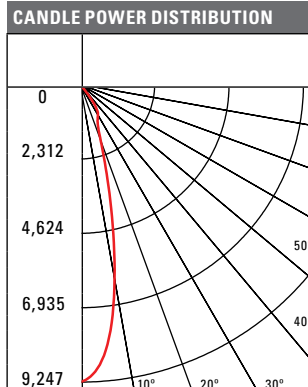
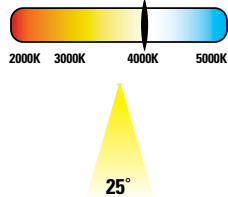


CONE OF LIGHT			
Horizontal Illuminance on Floor			
MH	FC	L	W
2'	4397.5	0.4	0.4
4'	1099.4	1	1
6'	488.6	1.6	1.6
8'	274.8	2	2
10'	175.9	2.6	2.6
15'	78.2	4	4
20'	44	5.4	5.4
30'	19.5	8.2	8.2
40'	11	10.8	10.8

CANDELA TABLE	
Angle	0-deg
0	17590
5	13640
10	5616
15	2329
20	1555
30	1057
40	161
50	11
60	4
70	1
80	0
90	0

Test Number	29497
Lumcat	1004-[A1, W1]-X-FL-LED4080-M-BK-L3-UNV
Lumens	2826 Lm
Watts	28.6 W
LPW	98.8 Lm/W
CCT	4000K
SC (0/90/45)	0.43 / 0.43 / 0.44
Beam Angle	25.5°

COLOR METRIC SUMMARY	
TM-30-15	Rf = 82.5 Rg = 94.3
CRI/CIE	Ra = 83.1 R9 = 11.4

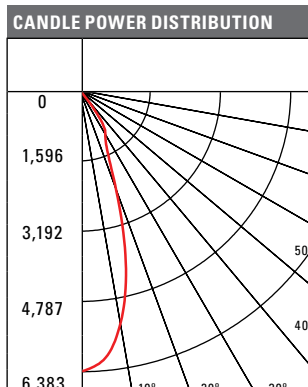
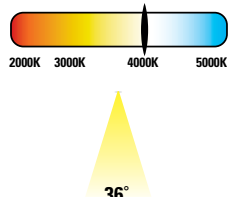


CONE OF LIGHT			
Horizontal Illuminance on Floor			
MH	FC	L	W
2'	2311.8	0.8	0.8
4'	577.9	1.6	1.6
6'	256.9	2.4	2.4
8'	144.5	3.4	3.4
10'	92.5	4.2	4.2
15'	41.1	6.4	6.4
20'	23.1	8.6	8.6
30'	10.3	12.8	12.8
40'	5.8	17.2	17.2

CANDELA TABLE	
Angle	0-deg
0	9247
5	8453
10	6140
15	3506
20	1860
30	1098
40	170
50	13
60	4
70	1
80	0
90	0

Test Number	P29498
Lumcat	1004-[A1, W1]-X-FL-LED4080-F-BK-L3-UNV
Lumens	2871 Lm
Watts	28.5 W
LPW	100.7 Lm/W
CCT	4000K
SC (0/90/45)	0.58 / 0.58 / 0.56
Beam Angle	35.1°

COLOR METRIC SUMMARY	
TM-30-15	Rf = 82.5 Rg = 94.3
CRI/CIE	Ra = 83.1 R9 = 11.4

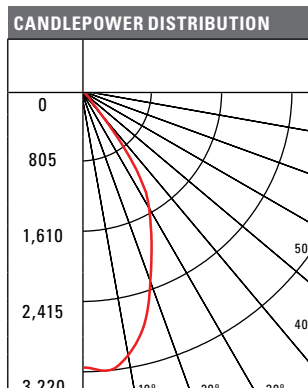
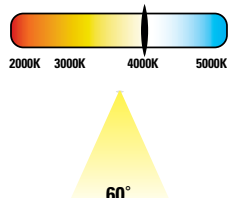


CONE OF LIGHT			
Horizontal Illuminance on Floor			
MH	FC	L	W
2'	1595.8	1	1
4'	398.9	2.2	2.2
6'	177.3	3.4	3.4
8'	99.7	4.6	4.6
10'	63.8	5.8	5.8
15'	28.4	8.6	8.6
20'	16	11.6	11.6
30'	7.1	17.4	17.4
40'	4	23.2	23.2

CANDELA TABLE	
Angle	0-deg
0	6383
5	6141
10	5345
15	4027
20	2423
30	1153
40	178
50	6
60	4
70	1
80	0
90	0

Test Number	P29499
Lumcat	1004-[A1, W1]-X-FL-LED4080-W-BK-L3-UNV
Lumens	2790 Lm
Watts	28.5 W
LPW	97.9 Lm/W
CCT	4000K
SC (0/90/45)	0.86 / 0.86 / 0.91
Beam Angle	58.5°

COLOR METRIC SUMMARY	
TM-30-15	Rf = 82.5 Rg = 94.3
CRI/CIE	Ra = 83.1 R9 = 11.4



CONE OF LIGHT			
Horizontal Illuminance on Floor			
MH	FC	L	W
2'	796.9	1.6	1.6
4'	199.2	3.4	3.4
6'	88.5	5	5
8'	49.8	6.8	6.8
10'	31.9	8.4	8.4
15'	14.2	12.8	12.8
20'	8	17	17
30'	3.5	25.6	25.6
40'	2	34.2	34.2

CANDELA TABLE	
Angle	0-deg
0	3173
5	3220
10	3082
15	2784
20	2321
30	1560
40	366
50	95
60	25
70	3
80	0
90	0

CCT/CRI	LED2790	LED3090	LED3590	LED4080	LED5080	LED2797	LED3097	LED3597	LED4097
FC Multiplier	0.754	0.798	0.808	1.000	1.039	0.699	0.706	0.801	0.793

Light Level	L1	L2	L3
FC Multiplier	0.418	0.772	1.000

LUMEN TABLE

		1004-[A1, W1] Regressed Hood - Black								
		L1 - 10 W			L2 - 20 W			L3 - 30W		
		CBCP	Lumens	LPW	CBCP	Lumens	LPW	CBCP	Lumens	LPW
Spot 15°	LED2790	5584	783	79.5	10310	1445	71.9	13357	1872	65.7
	LED3090	5907	828	84.1	10906	1529	76.1	14130	1981	69.5
	LED3590	5983	839	85.1	11047	1549	77.0	14311	2006	70.4
	LED4080	7401	1038	105.3	13666	1916	95.3	17705	2482	87.1
	LED5080	7689	1078	109.4	14197	1990	99.0	18393	2578	90.5
	LED2797	5175	726	73.7	9556	1340	66.6	12380	1736	60.9
	LED3097	5224	732	74.4	9646	1352	67.3	12497	1752	61.5
	LED3597	5926	831	84.3	10941	1534	76.3	14175	1987	69.7
	LED4097	5869	823	83.5	10836	1519	75.6	14038	1968	69.1
Medium Flood 25°	LED2790	2907	781	79.2	5368	1441	71.7	6954	1867	65.5
	LED3090	3075	826	83.8	5678	1525	75.8	7357	1975	69.3
	LED3590	3115	836	84.9	5751	1544	76.8	7451	2001	70.2
	LED4080	3853	1035	105.0	7115	1910	95.0	9218	2475	86.8
	LED5080	4003	1075	109.1	7391	1984	98.7	9576	2571	90.2
	LED2797	2695	723	73.4	4975	1336	66.5	6446	1731	60.7
	LED3097	2720	730	74.1	5022	1348	67.1	6505	1747	61.3
	LED3597	3085	828	84.1	5696	1529	76.1	7380	1981	69.5
	LED4097	3055	820	83.3	5642	1515	75.4	7309	1962	68.9
Flood 36°	LED2790	2006	792	80.4	3704	1463	72.8	4799	1895	66.3
	LED3090	2122	838	85.1	3918	1547	77.0	5076	2004	70.1
	LED3590	2149	849	86.2	3969	1567	78.0	5142	2030	71.0
	LED4080	2659	1050	106.6	4910	1939	96.4	6361	2512	87.8
	LED5080	2762	1091	110.7	5101	2014	100.2	6608	2609	91.2
	LED2797	1859	734	74.5	3233	1356	67.4	4448	1756	61.4
	LED3097	1877	741	75.2	3466	1368	68.1	4490	1773	62.0
	LED3597	2129	841	85.3	3931	1552	77.2	5093	2011	70.3
	LED4097	2108	832	84.5	3893	1537	76.5	5044	1991	69.6
Wide Flood 60°	LED2790	1012	753	76.4	1869	1390	69.2	2422	1801	63.0
	LED3090	1071	796	80.8	1977	1470	73.2	2562	1905	66.6
	LED3590	1085	807	81.9	2003	1489	74.1	2595	1929	67.5
	LED4080	1342	998	101.3	2478	1842	91.7	3210	2387	83.5
	LED5080	1394	1037	105.2	2574	1914	95.2	3335	2480	86.7
	LED2797	938	698	70.8	1733	1288	64.1	2245	1669	58.4
	LED3097	947	704	71.5	1749	1300	64.7	2266	1685	58.9
	LED3597	1074	799	81.1	1984	1475	73.4	2570	1911	66.8
	LED4097	1064	791	80.3	1965	1461	72.7	2545	1893	66.2

TM30 DATA

1004	CCT/CRI	Rf	Rg	Ra	R9
	2790	90.9	98.9	91.7	58.3
	3090	90.8	99.1	92.5	62.6
	3590	90.6	100.4	92.7	67.5
	4080	82.5	94.3	83.1	11.4
	5080	81.6	94.1	82	6
	2797	94.9	100	98.1	86.9
	3097	94	100.3	97.8	88.9
	3597	92.9	99.3	97.2	89.1
	4097	91.5	98.7	95.4	84

POWER TABLE

Number of Heads	Light Level	Input Current (A) at 120 VAC	Input Current (A) at 277 VAC	Input Power (W)
A1	L1	0.08	0.03	10
	L2	0.177	0.088	20.93
	L3	0.252	0.118	30.02
	LC1	0.1	0.085	11.4
	LC2	0.183	0.088	21.44

LUMEN MAINTENANCE

Ambient Temperature	TM-21 Lumen Maintenance (60,000 Hours)	Theoretical L70 (Hours)
25°C, 40°C, 50°C	> 87%	> 102,000

**INTEGRATED SENSOR - SVPD2**

The Lanterra Accent 1004 with Integrated Sensor technology provides automatic energy savings without sacrificing performance. Traditionally, these types of energy savings required coordination between the luminaire and a lighting control system. The Lanterra Accent 1004 delivers superior lighting with integrated PIR occupancy sensing and daylighting controls.

Capture the benefits of traditional lighting controls, without complicated circuit planning or special wiring. The Lanterra Accent 1004 delivers automatic ON to an energy saving light level, while ensuring lighting is turned OFF when the space is unoccupied.

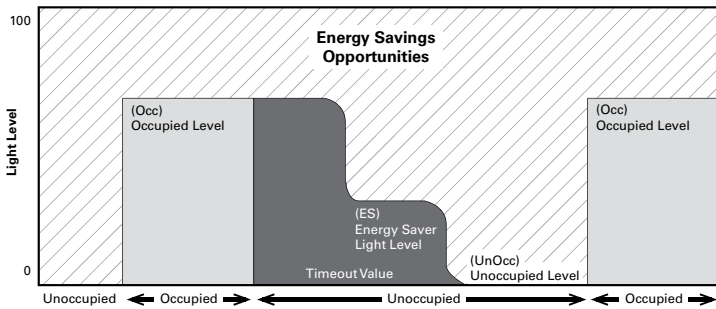
The SVPD2 sensor is configured for outdoor use, so the integral daylight sensor will enable the luminaire to automatically adjust to daylight conditions by turning off when sufficient sunlight is present. Consult factory for indoor configuration.

Occupied light levels and unoccupied light levels can be adjusted using the integrated sensor programming remote (Catalog Number: ISHH01LUM). While the default unoccupied level is OFF, a lower light level can be saved instead using the programming remote. The integrated sensor personal remote (Catalog Number: ISHH02LUM) provides code compliant manual raise, lower, ON, OFF control.

The Lanterra Accent 1004 with Integrated Sensor is easy to install with no special wiring and ensures energy savings out-of-the-box with default control settings.

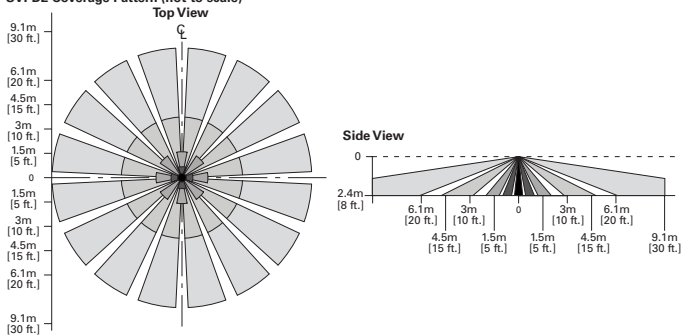
**HOW IT WORKS**

- As the user enters the space controlled by the integral sensor, the lighting turns ON to the occupied light level.
- Lighting will remain at the occupied level until the space is unoccupied. This will start the occupancy timeout period (default 20 minutes).
- If the space remains unoccupied for half of the timeout period, the lighting will automatically reduce to the Energy Saver light level (default matches occupied level). This adjustable light level is often set to half of the occupied daylight level using the programming remote.
- At the end of the timeout period the lighting will go to the unoccupied light level. This adjustable light level uses the OFF default setting.
- If sufficient sunlight is present, the luminaire will remain OFF, regardless of occupancy.

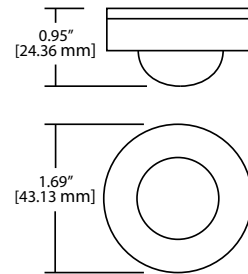


**Coverage**

SVPD2 Coverage Pattern (not to scale)



**Sensor Dimensions**



**Optional Remote Controls**



**ISHH01LUM Programming Remote**



**ISHH02LUM Personal Control Remote**