

Project		Catalog #		Type	
Prepared by		Notes		Date	



# Lumière

## BOCA 696

LED / Halogen  
Ground-mount  
Recessed

### Typical Applications

- Hospitality • Commercial Landscape • Outdoor Area/Site • Residential
- Architectural

### Interactive Menu

- Order Information [page 2](#)
- BOCA 696 LED Photometric Data [page 3](#)
- BOCA 696 MR16 Halogen Photometric Data [page 4](#)
- Product Warranty

### Product Certification



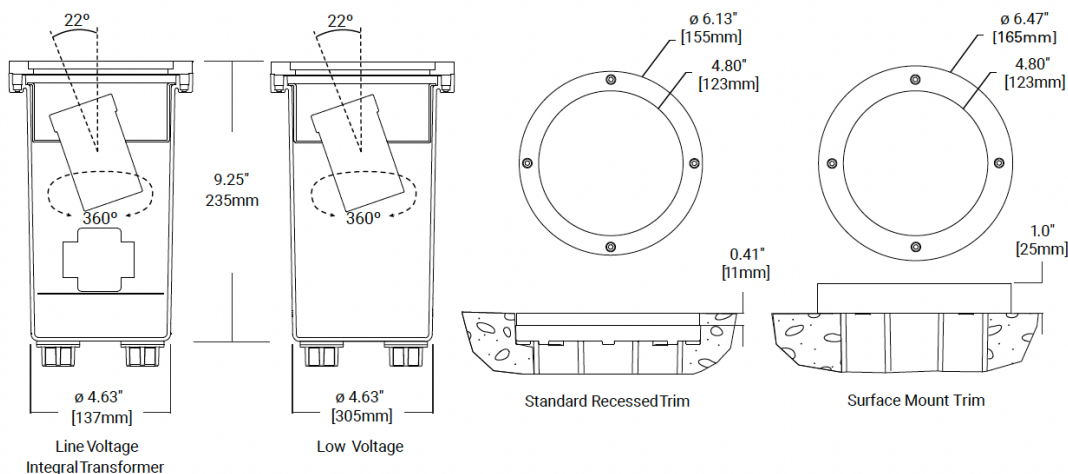
### Product Features



### Top Product Features

- Adjustable beam: 22° tilt, 360° rotation
- 12°, 21° and 41° beam spread options
- 2700K, 3000K, 4000K, 5700K and Amber, dimmable
- IP67 thermoplastic compression molded recessed housing
- Suitable for indoor or outdoor use
- Options to meet Buy American Act requirements

### Dimensions



**TECHNICAL DATA**  
External Supply Wiring 90°C Minimum 8W LED

## Order Information

SAMPLE ORDER NUMBER: 696-8LED2710-120/12-BK

Domestic Preferences	Series	Trim	Source (select from each column and combine)			Voltage	Finish	Options
Domestic Preferences <sup>(3)</sup>	Series	Trim	Source (select from each column and combine)			Voltage	Finish <sup>(1,5)</sup>	Options <sup>(2)</sup>
<b>[Blank]</b> =Standard <b>BAA</b> =Buy American Act	<b>696</b> =6 1/4" dia. Boca Inground LED Uplight, 22° Tilt, 360° Rotation	<b>[Blank]</b> =Standard Round Trim <b>SM</b> =Round Surface Mount Trim	<b>8LED</b> =8W LED	<b>27</b> =2700K <b>30</b> =3000K <b>40</b> =4000K*	<b>10</b> =10° Spot <b>25</b> =25° Narrow <b>36</b> =36° Wide	<b>12</b> =12 Volt Remote Transformer Required (not included) <b>120/12</b> =120V Integral Transformer <b>277/12</b> =277V Integral Transformer	<b>Painted</b> <b>BK</b> =Black <b>BZ</b> =Bronze <b>CS</b> =City Silver <b>VE</b> =Verde <b>WT</b> =White	<b>LBB</b> =Less Back Box
<b>Notes</b> (3) Only product configurations with this designated prefix are built to be compliant with the Buy American Act of 1933 (BAA). Please refer to <a href="#">DOMESTIC PREFERENCES</a> website for more information. Components shipped separately may be separately analyzed under domestic preference requirements.	<b>Notes</b>	<b>Notes</b>	<b>Notes</b> * Not Title 20 compliant.			<b>Notes</b>	<b>Notes</b> (1) Custom and RAL color matching available upon request. Consult factory for further information. * For natural bronze ROHS material consult factory. (5) Consult factory for premium/natural metals material finish.	<b>Notes</b> (2) When specifying LBB option the back box needs to be ordered separately 600-BB.

## Optical Accessories - Order Separately

Filters (2.00" Diameter)	Optical Lenses (2.00" Diameter)	Optical Louvers (2.00" Diameter)
Filters (2.00" Diameter) <sup>(4)</sup>	Optical Lenses (2.00" Diameter) <sup>(4)</sup>	Optical Louvers (2.00" Diameter) <sup>(4)</sup>
<b>F71</b> =Peach Dichroic <b>F72</b> =Amber Dichroic <b>F73</b> =Green Dichroic <b>F74</b> =Medium Blue <b>F75</b> =Yellow Dichroic <b>F76</b> =Red Dichroic <b>F77</b> =Dark Blue Dichroic <b>F78</b> =Light Blue Dichroic <b>F79</b> =Neutral Density Dichroic <b>F80</b> =Magenta Dichroic <b>F22</b> =Red Color <b>F33</b> =Blue Color <b>F44</b> =Green Color <b>F55</b> =Yellow Color <b>F66</b> =Mercury Vapor	<b>LSL</b> =Linear Spread Lens (elongates standard beam spread) <b>DIF</b> =Diffused lens (provides even illumination) <b>OSL</b> =Overall Spread Lens (increases standard beam spread)	<b>LVR</b> =45° Hex Cell Louver (reduces glare)
<b>Notes</b> (4) Accessories sold separately will be separately analyzed under domestic preference requirements. Consult factory for further information.	<b>Notes</b>	<b>Notes</b>

## Product Specifications

### Construction

- Recessed housing is constructed from corrosion-resistant, glass reinforced polyester BMC molding compound
- Includes two 1/2-14 NPSM conduit fittings for through wiring
- Recessed housing and trim ring are sealed with a high temperature silicone molded gasket to prevent water intrusion
- The painted trim ring is precision machined from corrosion resistant 6061-T6 aluminum
- The trim ring is also available in machined C360 brass, C932 bronze\*, C10 copper or 303/304 stainless steel, brass, bronze\* or machined copper.
  - \*For natural bronze ROHS material consult factory.

### Finish

- The painted trim is double protected by a ROHS\* compliant chemical film undercoating and polyester powder coat finish
- A variety of standard colors are available or RAL and custom color matches are available upon request
- Trims constructed from brass, bronze\*, copper and stainless steel are left unpainted to reveal the natural beauty of the material
- Brass, bronze\* and copper will patina naturally over time.

- \*For natural bronze ROHS material consult factory.

### Lens

- Minimum 1/4" thick tempered glass lens, factory sealed with high temperature adhesive to prevent water intrusion
- Suitable for drive-over\*\* applications up to 5000 pounds
  - \*\*Drive over fixtures not qualified for roadway or heavy traffic applications.

### Hardware

- Stainless steel hardware is standard to provide maximum corrosion-resistance

### Electrical

- When ordered as a line voltage fixture, an integral 12V magnetic transformer is included for connection to 120V or 277V line voltage
- When ordered as a low voltage fixture, a remote 12V transformer is required (not included)
- Initial power draw on LED equipped fixtures is 12 watts
- When sizing transformer use 12 watts per LED fixture
- Nominal power draw after startup is 8 watts
- The LED module is designed to operate within the range 12V +/- 1.2V. Any less or more voltage can

- cause premature failures
- Dimming only available for 120V option
- See technical notes for compatible dimmer switches

### LED Modules

- LED modules are included and are available in three color temperatures (2700,3000,4000)
- Or and three distributions (spot, narrow, and flood)
- Both color temperature and distribution must be specified when ordering
- Module has a L70 / 60,000 hour rating

### Recessed Housing

- Recessed housing is available to ship in advance of complete fixture for rough-in purposes.
- Equipped with 1/2" conduit hub
- Specify option -LBB and order separately the accompanying recessed housing from below
- Recessed Housing 600-BB

### Warranty

- Lumière warrants its fixtures against defects in materials & workmanship for three (3) years.
- Auxiliary equipment such as transformers carry the original manufacturer's warranty

\*\*Drive over fixtures not qualified for roadway or heavy traffic applications.

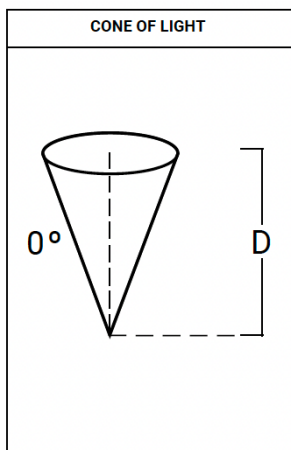
## BOCA 696 LED Photometric Data

LED Lumen and CBCP Table - 3000K

[View IES files](#)

		Flush Hood			Regressed Hood (Black)			Regressed Hood (Silver)		
		CBCP	LUMENS	LPW	CBCP	LUMENS	LPW	CBCP	LUMENS	LPW
10	BASE	7758	456	57	7188	387	48.4	6554	385	51.4
	+DIFF	1278	372	46.5	1256	286	35.7	1206	303	40.3
	+LSL	1700	402	50.3	1685	328	41	1557	328	43.7
	+LVR	6837	315	39.9	6276	305	38.2	6010	292	38.9
	+OSL	1700	402	50.3	1685	328	41	1557	328	43.7
25	BASE	3454	536	68.7	3285	480	60.8	3026	465	63.6
	+DIFF	977	435	55.7	936	344	43.5	924	361	46.3
	+LSL	1021	482	61.8	999	406	51.4	923	401	54.1
	+LVR	1864	492	63.1	1815	443	56.1	1705	438	57.6
	+OSL	1864	492	63.1	1815	443	56.1	1705	438	57.6
36	BASE	1469	525	68.2	683	339	43.5	1444	474	60.8
	+DIFF	696	432	56.1	616	392	50.3	645	345	44.8
	+LSL	624	476	61.9	1279	324	41.5	622	408	53.6
	+LVR	1322	344	44.7	1197	434	56.3	1242	323	42.5
	+OSL	624	476	61.9	1279	324	41.5	622	408	53.6

### Horizontal Illuminance on Surface - Boca 696 Flush Lens Hood - 3000K



Filename: 696-FL-8LED3010-12-BK.ies			
Test No.: P349420			
Distance	FC	Beam Diameter	
2'	1939.5	0.4	
4'	484.9	0.8	
6'	215.5	1.2	
8'	121.2	1.6	
10'	77.6	2	
15'	34.5	3	
20'	19.4	4.2	
30'	8.6	6.2	
40'	4.8	8.4	

Filename: 696-FL-8LED3025-12-BK.ies			
Test No.: P349500			
Distance	FC	Beam Diameter	
2'	863.4	0.6	
4'	215.9	1.2	
6'	95.9	1.8	
8'	54	2.4	
10'	34.5	3	
15'	15.3	4.6	
20'	8.6	6.2	
30'	3.8	9.2	
40'	2.2	12.4	

Filename: 696-FL-8LED3036-12-BK.ies			
Test No.: P349485			
Distance	FC	Beam Diameter	
2'	367.2	1	
4'	91.8	2.2	
6'	40.8	3.4	
8'	22.9	4.6	
10'	14.7	5.8	
15'	6.5	8.6	
20'	3.7	11.6	
30'	1.6	17.4	
40'	0.9	23.2	

### CCT MULTIPLIER TABLE

CCT (K) / COLOR	MULTIPLIER
2700K	1.04
3000K	1.00
4000K	0.78

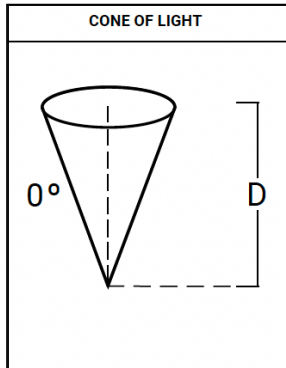
Note: Multiplier can be used to calculate center beam candle power (CBCP), Lumens and footcandle (FC) values.

### TECHNICAL INFORMATION

1. Dimming is dependant on remote transformer compatibility with LED module. Please see compatibility matrix for dimmer switch and transformer selection.
2. When using a magnetic dimmer switch there are two recommended LED compatible 120V magnetic dimming switches: Lutron Ariadni AVLV-600P and Lutron Diva DVLV-600P
3. IMPORTANT: When sizing transformer use 12 watts per LED fixture. Nominal power draw after start up is 8 watts. Any less or more voltage can cause premature failures.

## BOCA 696 MR16 Halogen Photometric Data

[View IES files](#)



### Horizontal Illuminance on Surface - Boca 696 Standard Recessed Hood - 50W MR16

Filename	696-50MR16-12-BK-NSP.ies	
Lamp	50W MR16 NSP	
CBCP	11,000	
D	FC	Beam Diameter
2'	2550	1'6"
4'	638	1'0"
6'	283	1'6"
8'	159	2'0"
10'	102	3'0"
15'	45	4'0"

Filename	696-50MR16-12-BK-NFL.ies	
Lamp	50W MR16 NFL	
CBCP	3,200	
D	FC	Beam Diameter
2'	725	1'0"
4'	181	2'6"
6'	81	4'0"
8'	45	5'0"
10'	29	6'6"
15'	13	10'0"

### CCT MULTIPLIER TABLE

LAMP WATTAGE	MULTIPLIER
20W	0.32
35W	0.57

Filename	696-50MR16-12-BK-FL.ies	
Lamp	50W MR16 FL	
CBCP	2,000	
D	FC	Beam Diameter
2'	431	1'6"
4'	106	3'0"
6'	48	5'0"
8'	27	6'6"
10'	17	8'0"
15'	7	12'0"

Filename	696-50MR16-12-BK-WFL.ies	
Lamp	50W MR16 WFL	
CBCP	1,200	
D	FC	Beam Diameter
2'	269	2'0"
4'	67	4'6"
6'	30	7'6"
8'	17	9'0"
10'	11	11'6"
15'	5	17'0"

### NOTES AND FORMULAS

- Beam diameter is to 50% of maximum footcandles, rounded to the nearest half-foot.
- Footcandle values are initial. Apply appropriate light loss factors where necessary.
- Bare lamp data shown. Consult lamp manufacturers to obtain detailed specifications for their lamps.