

DESCRIPTION

The Lumark WPSQLED wall mount luminaire provides traditional square style with high performance and energy efficient illumination resulting in up to 84 percent energy and maintenance savings over traditional metal halide luminaires. The rugged, die-cast aluminum construction is IP66 rated and UL/cUL wet location listed for exceptional durability and long term reliability. With lumen maintenance greater than 91 percent at 60,000 hours, the WPSQLED luminaire is virtually maintenance free. Replacing up to 450W metal halide equivalent luminaires, the WPSQLED luminaire is ideal for pathway illumination, building entrances, vehicle ramps, schools, tunnels, stairways and loading docks.

SPECIFICATION FEATURES

Housing

Rugged die-cast aluminum housing and hinged, removable die-cast aluminum door. One-piece silicone gasket seals the optical chamber. UL 1598 wet location listed and IP66 ingress protection rated. Three 1/2" threaded conduit entry points allow for thru-branch wiring.

Optical

Highly reflective anodized aluminum reflectors provide high efficiency illumination. Optical assemblies include impact resistant borosilicate refractive glass. Solid state LED luminaires are thermally optimized with a lumen package. Available in cool 5000K or neutral 4000K LED color temperature (CCT).

Electrical

LED driver and related electrical components are hard mounted to the die-cast housing for optimal heat sinking and operating efficiency. Wiring is extended through a silicone gasket at the back of the housing. LED thermal management system incorporates both conduction and natural convection to transfer heat rapidly away from LED source. Integral LED electronic driver incorporates internal fusing designed to withstand a 10kV surge test and is Class 2 rated for 120-277V 50/60Hz and 347V 60Hz with an operating temperature range of -40°C to 40°C.

Finish

Finished in UV stabilized polyester powder coat paint for superior protection against fade and wear. Standard color is bronze.

Warranty

Five-year warranty.

Catalog #		Type
Project		
Comments		Date
Prepared by		



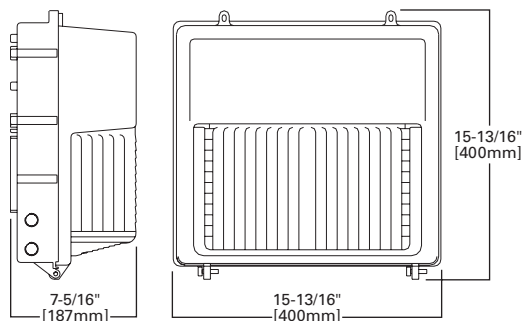
WPSQLED

64-101W

LED

WALL MOUNT LUMINAIRE

DIMENSIONS



CERTIFICATION DATA

UL/cUL Wet Location Listed
IP66 Rated
DesignLights Consortium® Qualified*

TECHNICAL DATA

40°C Maximum Ambient Temperature

SHIPPING DATA

Approximate Net Weight:
21.6 lbs. (9.79 kgs.)

POWER AND LUMENS

	WPSQLED-65	WPSQLED-75	WPSQLED-100	WPSQLED-65	WPSQLED-75	WPSQLED-100
CCT (Kelvin)	4000K			5000K		
Delivered Lumens	7,108	7,706	11,043	7,446	7,918	11,322
CRI (Color Rendering Index)	70	70	70	70	70	70
Power Consumption (Watts)	64	75	101	64	75	101

CURRENT DRAW

Voltage (V)	WPSQLED-65	WPSQLED-75	WPSQLED-100
	Current (A)		
120V	0.54	0.62	0.83
208V	0.31	0.36	0.48
240V	0.32	0.31	0.41
277V	0.23	0.27	0.36
347V	0.20	0.23	0.30

LUMEN MAINTENANCE

Ambient Temperature	TM-21 Lumen Maintenance (60,000 Hours)	Theoretical L70 (Hours)
25°C	> 91.49%	> 240,000
40°C	> 91.89%	> 252,000

LUMEN MULTIPLIER

Ambient Temperature	Lumen Multiplier
10°C	1.03
15°C	1.02
25°C	1.00
40°C	0.98

ORDERING INFORMATION

Sample Number: WPSQLED-75-UNV

Product Family ^{1,2}	Wattage	Voltage	Options (Add as Suffix)
WPSQLED	65=64W 75=75W 100=101W	UNV=120-277V 347=347V	[Blank]=70 CRI / 4000K 7050=70 CRI / 5000K PC=120-277V Button Photocontrol

NOTE:

1. DesignLights Consortium® Qualified. Refer to www.designlights.org Qualified Products List under Family Models for details.

2. Available in bronze only.