

Traditional EL190

120 VOLT DIE-CAST ALUMINUM, LED

Type:
Job:
Fixture Catalog number:

Fixture Module and Finish Hood and Finish

Mounting Options:

Ordered Separately from Fixture
 See page 2

Approvals:

Specifications

Hood: Spun aluminum with low copper alloy aluminum die-cast reflector and hinge assembly. The hood is painted to order and the reflector is always painted white. The hood reflector assembly is removable with a no-tool stainless steel lever latch. Hood is available in three styles: Pagoda, Cone, and Mushroom.

Husk: Die-cast low copper alloy aluminum with stainless steel hinge / latch assembly.

Globe: Fluted glass.

Stem: 13" schedule 40 aluminum pipe with K" NPT at bottom plus solid brass locknut for secure mounting.

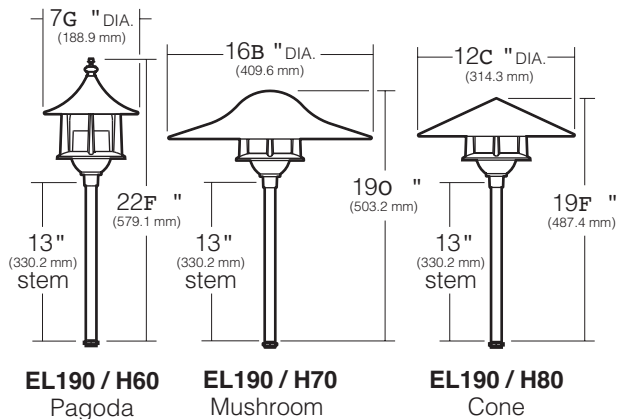
Wiring: No. 18AWM rated 105°C.

Optical System: A total of 3 LED emitters configured in a rectangular array comprised together as a module. Available in 3000K, 4200K and 5100K.

Driver: Universal Voltage from 120 to 277V with a ±10% tolerance. -40°F. starting temperature. All drivers are Underwriters Laboratories recognized.

Finish: Each luminaire receives a fade and abrasion resistant, electrostatically applied, thermally cured, triglycidal isocyanurate (TGIC) polyester powdercoat finish. Standard colors include **(BL)** Black, **(DB)** Dark Bronze, **(WH)** White, **(PS)** Platinum Silver, **(SG)** Stealth Gray, **(LG)** Light Gray, and **(CC)** Custom Color (Include RAL#).

Certification: UL Listed to U.S. and Canadian safety standards for wet locations.

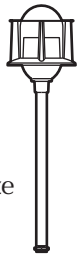


NOTE: Fixture modules and hoods may be ordered separately.



ORDERING INFORMATION

Fixture	Source	Finish
EL190/3L3KUV'/BL	5.2W, 3 LED's, 3000K	Alum/ Black
EL190/3L4KUV'/BL	5.2W, 3 LED's, 4200K	
EL190/3L5KUV'/BL	5.2W, 3 LED's, 5100K	
EL190/3L3KUV'/DB	5.2W, 3 LED's, 3000K	Alum/ Dark Bronze
EL190/3L4KUV'/DB	5.2W, 3 LED's, 4200K	
EL190/3L5KUV'/DB	5.2W, 3 LED's, 5100K	
EL190/3L3KUV'/GR	5.2W, 3 LED's, 3000K	Alum/ Verde Green
EL190/3L4KUV'/GR	5.2W, 3 LED's, 4200K	
EL190/3L5KUV'/GR	5.2W, 3 LED's, 5100K	



¹Universal Voltage from 120 to 277V with a ±10% tolerance. For 5.2W, Max Amps. are .040 for 120V, .030 for 208V, .020 for 240V, .020 for 277V

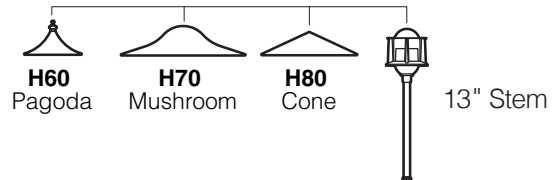
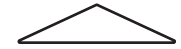
Pagoda Hood	Material / Finish
H60BL	Alum. / Black
H60DB	Alum. / Dark Bronze
H60GR	Alum. / Verde Green



Mushroom Hood	Material / Finish
H70BL	Alum. / Black
H70DB	Alum. / Dark Bronze
H70GR	Alum. / Verde Green



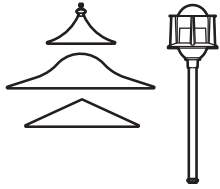
Cone Hood	Material / Finish
H80BL	Alum. / Black
H80DB	Alum. / Dark Bronze
H80GR	Alum. / Verde Green



KIM LIGHTING RESERVES THE RIGHT TO CHANGE SPECIFICATIONS WITHOUT NOTICE.

Traditional EL190

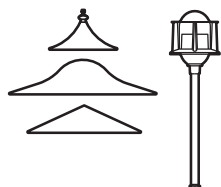
120 VOLT DIE-CAST ALUMINUM, LED



<p>Landscape Light Post by Engineered Products Co. Cat. No. EP17 No Option</p>	<p>PVC fixture molded in black with K" NPT mount is corrosion free and UV resistant. Replaces EMT, conduit connectors and weatherproof boxes. 17K" post length.</p>
<p>Architectural Junction Box Cat. No. Finish JB1/BL Black JB1/DB Dark Bronze JB1/GR Verde Green No Option</p>	<p>Die-cast aluminum with K" NPSM fixture mount. Internal set screw provided for locking position. Two K" NPSM in bottom, 17 cu in. internal volume. TGIC powder coat.</p>
<p>Portable Spear Mount Cat. No. J-25N No Option</p>	<p>Cast iron with K" NPSM fixture mount. Hot dip galvanized finish. 5.5 cu in. splice compartment. (SJTW-A) 3 wire cord and plug. 9' cord length.</p>
<p>Composite In-grade Architectural Junction Box Cat. No. JBR-4 JBR-5 No Option</p>	<p>Composite box with K" NPSM fixture mount and composite cover. Internal set screw provided for locking position. 19 cu in. internal volume. JBR-4 (2) L" NPT knock-outs in bottom (4) L" NPT knock-outs on sides @ 90° JBR-5 Same as above but with brass cover NOTE: May also be used to hard mount low voltage fixtures.</p>
<p>Brass In-grade Architectural Junction Box Cat. No. JBR-2 JBR-3 JBR-21 JBR-24 No Option</p>	<p>Die-cast brass with K" NPSM fixture mount and die-cast cover. Internal set screw provided for locking position. 18 cu in. internal volume. JBR-2 (2) K" NPT in bottom JBR-3 (2) L" NPT in bottom JBR-21 (2) K" NPT in sides, (2) K" NPT in bottom JBR-24 (4) K" NPT in sides, (2) K" NPT in bottom All side taps provided with plugs.</p>
<p>Brass In-grade Junction Box Cat. No. JBR30 JBR32 No Option</p>	<p>JBR30 BRASS IN-GRADE STAKED JUNCTION BOX Die-cast brass with K" NPSM fixture mount and die-cast cover. Internal set screw provided for locking position. 18 cu in. internal volume. (2) K" NPT in bottom with (2) 19" long brass stakes</p> <hr/> <p>JBR32 BRASS IN-GRADE STAKED JUNCTION BOX WITH CORD Die-cast brass with K" NPSM fixture mount and die-cast cover. Internal set screw provided for locking position. 18 cu in. internal volume. (SJTW-A) 3 wire cord and plug. (2) 19" long brass stakes with 9' cord</p>

Traditional EL190

120 VOLT DIE-CAST ALUMINUM, LED



Spectroradiometric			
	3000K	4200K	5100K
Correlated Color Temp. CCT (K)	2800 to 3175K	3800 to 4600K	4600 to 5600K
Color Rendering Index (CRI)	≥75	≥70	≥65

ELECTRICAL - Drive Current @350mA (3 LEDs)		
Volts -AC	Amps - AC	System Watts
120	0.04	5.2
208	0.03	5.2
240	0.02	5.2
277	0.02	5.2

Absolute Lumens (3 LEDs)	
Temperature	EL190/3L*K
3000K	57
4200K	66.7
5100K	71.1

Lumens Per Watt (3 LEDs)	
Temperature	EL190/3L*K
3000K	11.0
4200K	12.8
5100K	13.7