

**Bell™ EL167**

120 / 277 VOLT DIE-CAST ALUMINUM LED

<b>Type:</b> <b>Job:</b> <b>Fixture Catalog number:</b>  <hr/> Fixture      Mode      /      Finish	<b>Fixture Options:</b> <hr/> Ordered Separately from Fixture See page 2	<b>Approvals:</b>
	<b>Mounting Options:</b> <hr/> Ordered Separately from Fixture See pages 3-4	

**Specifications**

**Housing and Lens Frame:** Die-cast, low copper alloy (<0.6% Cu) aluminum. Frame with silicone gasket, attaches to housing with four captive J-20 stainless steel, slotted cap screws.

**Arm:** Cast aluminum. Head is independently rotatable 300° vertically from top dead center. Head may be positioned straight up. Horizontal rotation of entire fixture controlled by installation on mounting device. Set screw provided for locking position.

**Stem:** K" schedule 40 aluminum pipe with K" NPT at bottom plus solid brass locknut for mounting.

**Lens:** Tempered clear soda lime glass with silicone gasket. Flush with lens frame to promote water runoff when positioned upward.

**Wiring:** No. 18AWM rated 105°C.

**Finish:** Super TGIC thermoset polyester powder coat paint, 2.5 mil nominal thickness, applied over a titanated zirconium conversion coating; 2500 hour salt spray test endurance rating. Standard colors are Black (**BL**), Dark Bronze (**DB**), and Verde Green (**GR**).

**Optical System:** A total of 3 or 9 LED emitters configured in a rectangular array comprised together as a module. Available in 3000K, 4200K, and 5100K.

**Driver:** Universal Voltage from 120 to 277V with a ±10% tolerance. -40°F. starting temperature. All drivers are Underwriters Laboratories recognized.]

**ORDERING INFORMATION**

Fixture	Source
EL167 / 3L3KUV <sup>1</sup>	5.3W, 3 LED's, 3000K
EL167 / 3L4KUV <sup>1</sup>	5.3W, 3 LED's, 4200K
EL167 / 3L5KUV <sup>1</sup>	5.3W, 3 LED's, 5100K

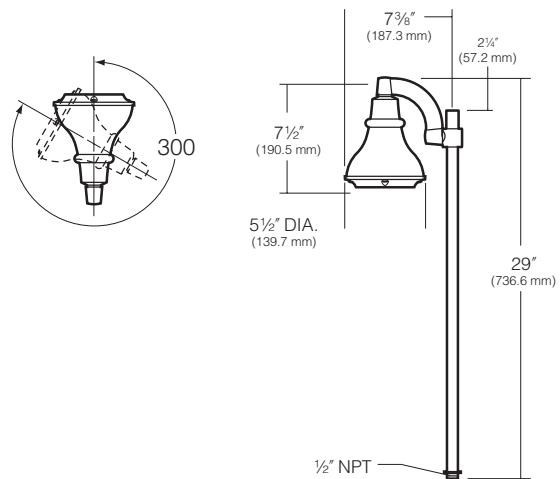
  

Fixture	Source
EL167 / 9L3KUV <sup>1</sup>	11.9W, 9 LED's, 3000K
EL167 / 9L4KUV <sup>1</sup>	11.9W, 9 LED's, 4200K
EL167 / 9L5KUV <sup>1</sup>	11.9W, 9 LED's, 5100K

<sup>1</sup> Universal Voltage from 120 to 277V with a ±10% tolerance. For 5.3W, Max Amps. are .040 for 120V, .030 for 208V, .020 for 240V, .020 for 277V. For 11.9W, Max Amps. are .28.

**Finish**

- | **BL**- Black
- | **DB** - Dark Bronze
- | **GR** - Verde Green



Listings and Ratings		
UL cUL 1598 <sup>1</sup>	IP66 Rated	25C Ambient <sup>ë</sup>

<sup>1</sup>Suitable for wet locations  
 KIM LIGHTING RESERVES THE RIGHT TO CHANGE SPECIFICATIONS WITHOUT NOTICE.





**Lens Accessories**  
 Cat. No. (See right)  
 | No Option

**HL72 - Hex Cell Louver:** Constructed of hex cell aluminum louvers providing 45° cutoff, mounted in a circular frame, finished in baked high-heat flat black. Can be used in combination with colored lenses. Inserts behind lens into lens gasket. Cannot be used in combination with **SL** Spread or **PL** Prismatic Lenses.



Cat. No.  
 | **HL72** Hex Cell Louver

**PL72 - Prismatic Lens:** Softens lamp distribution and flattens beam spread. Best with flood lamps. Inserts behind lens into lens gasket. Cannot be used in combination with **HL** series Louvers.



Cat. No.  
 | **PL72** Prismatic Lens

**SL72 - Spread Lens:** Creates an oval beam pattern, more narrow in one beam axis. Best with spot lamps. Inserts behind lens into lens gasket. Cannot be used in combination with **HL** series Louvers.



Cat. No.  
 | **SL72** Spread Lens

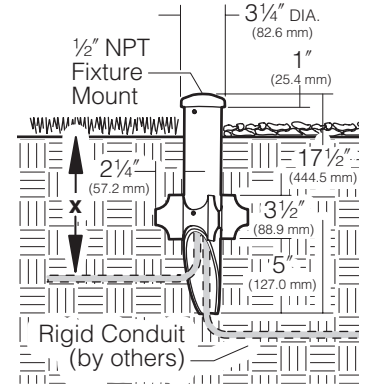


## Mounting Options

Ordered Separately from Fixture

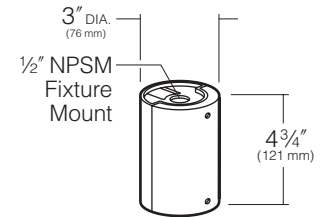
**Landscape Light Post by Engineered Products Co.**  
 Cat. No.  
 | EP17  
 | No Option

PVC fixture molded in black with K" NPT mount is corrosion free and UV resistant. Replaces EMT, conduit connectors and weatherproof boxes. 100% shatter resistant against denting and cracking. Angled bottom to eliminate cable congestion.  
 17K" post length  
**NOTE: EP17** should be used with a UL listed fixture and grounding means (i.e., third wire) suitable for use in wet locations.  
 "x" = required depth of conduit per local codes.



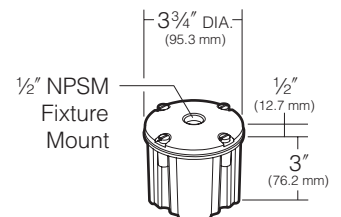
**Architectural Junction Box**  
 Cat. No.      Finish  
 | JB1/BL      Black  
 | JB1/DB      Dark Bronze  
 | JB1/GR      Verde Green  
 | No Option

Die-cast aluminum with K" NPSM fixture mount. Internal set screw provided for locking position. Two K" NPSM in bottom, 17 cu in. internal volume. Super TGIC powder coat paint over clear anodizing and titanated zirconium conversion coating conversion.  
**NOTE:** May also be used to hard mount low voltage fixtures.  
**Application Notes**  
 • Elevates Accent Lights above ground cover to prevent foliage from blocking the light.  
 • Elevates Path Lights above ground cover to achieve a greater light throw.  
**CAUTION:** Junction box must be installed high enough to avoid contact with soil or standing water.



**Brass In-grade Architectural Junction Box**  
 Cat. No.  
 | JBR-2  
 | JBR-3  
 | JBR-21  
 | JBR-24  
 | No Option

Die-cast brass with K" NPSM fixture mount and die-cast cover. Internal set screw provided for locking position. 18 cu in. internal volume.  
**JBR-2** (2) K" NPT in bottom  
**JBR-3** (2) L" NPT in bottom  
**JBR-21** (2) K" NPT in sides, (2) K" NPT in bottom  
**JBR-24** (4) K" NPT in sides, (2) K" NPT in bottom  
 All side taps provided with plugs.  
**NOTE:** May also be used to hard mount low voltage fixtures.  
**25 Year Limited Warranty:**  
 Solid brass junction boxes are warranted for 25 years, from date of sale, against manufacturing defects and failure due to corrosion.  
**Application Notes**  
 • Creates a flush-mounted appearance.  
 • May be cast in concrete for increased stability.  
**CAUTION:** Fixture stem and swivel must not contact soil or standing water. Provide drainage away from junction box.





## Mounting Options

Ordered Separately from Fixture

### Brass In-grade Staked Junction Box

Cat. No.

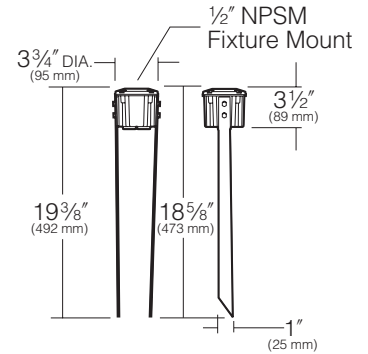
| **JBR30**

| **No Option**

Die-cast brass with K" NPSM fixture mount and die-cast cover. Internal set screw provided for locking position. 18 cu in. internal volume.

(2) K" NPT in bottom with (2) 19" long brass stakes

**NOTE:** May also be used to hard mount low voltage fixtures.



### Stanchion Mount

Cat. No.

Finish

| **SM18/BL**

Black

| **SM18/DB**

Dark Bronze

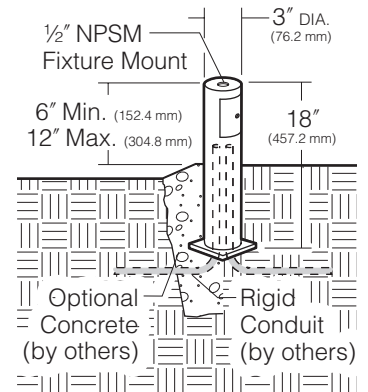
| **SM18/GR**

Verde Green

| **No Option**

3" O.D. by .188" wall cast aluminum with K" NPSM fixture mount and hand hole with flush cover. Internal set screw fixture lock accessible through hand hole. Internal ground lug supplied with installed lead. Super TGIC powder coat paint over clear anodizing and titanated titanium conversion coating.

**NOTE:** May also be used to hard mount low voltage fixtures.



## Lumen Data

<b>Spectroradiometric</b>			
	3000K	4200K	5100K
Correlated Color Temp. CCT (K)	2800 to 3175K	3800 to 4600K	4600 to 5600K
Color Rendering Index (CRI)	≥75	≥70	≥65

<b>ELECTRICAL - Drive Current @350mA (3 LEDs)</b>		
Volts -AC	Amps - AC	System Watts
120	0.04	5.3
208	0.03	5.3
240	0.02	5.3
277	0.02	5.3

<b>ELECTRICAL - Drive Current @350mA (9 LEDs)</b>		
Volts -AC	Amps - AC	System Watts
120	0.28	11.9
208	0.28	11.9
240	0.28	11.9
277	0.28	11.9

<b>Absolute Lumens (3 LEDs)</b>	
Temperature	EL167/3L*K
3000K	199.7
4200K	205.1
5100K	206

<b>Absolute Lumens (9 LEDs)</b>	
Temperature	EL167/9L*K
3000K	618.7
4200K	703.6
5100K	823.9

<b>Lumens Per Watt (3 LEDs)</b>	
Temperature	EL167/3L*K
3000K	37.7
4200K	38.7
5100K	38.9

<b>Lumens Per Watt (9 LEDs)</b>	
Temperature	EL167/9L*K
3000K	52.0
4200K	59.1
5100K	69.2