

Spun Copper Bullet C24

120 TO 277 VOLT SPUN COPPER LED

Type:
Job:

Mounting Options:

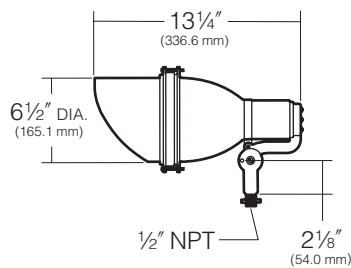
Approvals:

Fixture Catalog number:

Fixture

Ordered Separately from Fixture
See pages 3-5

Specifications



Housing and Shield: Spun copper with cast bronze clamping rings and swivel base.

Swivel: Cast bronze with set screw lock and 1/2" NPT plus solid brass locknut for mounting.

Optical System: High Performance acrylic lens optic securely attached to internal heat sink for maximum thermal dissipation.

Gasketing: Silicone gaskets throughout.

Fasteners: Brass and stainless steel.

Wiring: No. 18AWM rated 105°C.

Driver: Universal Voltage from 120 to 277V with a ±10% tolerance, -40°F. starting temperature. All drivers are Underwriters Laboratories recognized.

Finish: Natural copper and bronze. Will rapidly age to a deep rich bronze color, and may develop areas of patina.

Listed to: UL 1598 Standard for Luminaires - UL 8750 Standard for Safety for Light Emitting Diode (LED) Equipment for use in Lighting Products and CAN/CSA C22.2 No. 250.0 -80 Luminaires, LEDs and drivers are RoHS compliant.

CAUTION: Fixtures must be grounded in accordance with national, state and/or local electrical codes, Failure to do so may result in serious personal injury.

Ordering Information

Fixture	Source
C24S3/9L3KUV ¹	350mA, 11W, 9 LEDs, 3000K
C24S3/9L4KUV ¹	350mA, 11W, 9 LEDs, 4200K
C24S3/9L5KUV ¹	350mA, 11W, 9LEDs, 5100K
C24F3/9L3KUV ¹	350mA, 11W, 9 LEDs, 3000K
C24F3/9L4KUV ¹	350mA, 11W, 9 LEDs, 4200K
C24F3/9L5KUV ¹	350mA, 11W, 9LEDs, 5100K

¹S = Spot, F = Narrow Flood, UV = Universal Voltage from 120 to 277V with a ±10% tolerance.



KIM LIGHTING RESERVES THE RIGHT TO CHANGE SPECIFICATIONS WITHOUT NOTICE.

Spun Copper Bullet C24

120 TO 277 VOLT SPUN COPPER LED

Type:

Job:



Lumen Data

Spectroradiometric			
	3000K	4200K	5100K
Correlated Color Temp. CCT (K)	2800 to 3175K	3800 to 4600K	4600 to 5600K
Color Rendering Index (CRI)	≥80	≥75	≥65
Power Factor	>.90	>.90	>.90

Electrical Drive Current			
Current	C24		
	Volts -AC	Amps - AC	System Watts
350mA	120	0.09	11
	208	0.06	11
	240	0.05	11
	277	0.04	11

Absolute Lumens			
Current	C24		
	Temp.	Spot	Narrow Flood
350mA	3000K	991	625
	4200K	1287	812
	5100K	1442	909

Main Beam Candela and Beam Angle					
Current	C24				
	Temp.	Spot	Beam°	Narrow Flood	Beam°
350mA	3000K	7486	15°	2170	30°
	4200K	9722	15°	2819	30°
	5100K	10893	15°	3159	30°

Projected Lumen Maintenance		
mA	50,000 hrs	100,000 hrs
350	96.15%	93.48%

LED performance and lumen output continues to improve at a rapid pace. For custom optics and color temperature configurations, contact factory.

Spun Copper Bullet C24

120 TO 277 VOLT SPUN COPPER LED

Type:

Job:



Mounting Options

Ordered Separately from Fixture

<p>Landscape Light Post by Engineered Products Co. Cat. No. EP17 No Option</p>	<p>PVC fixture molded in black with K" NPT mount is corrosion free and UV resistant. Replaces EMT, conduit connectors and weatherproof boxes. 100% shatter resistant against denting and cracking. Angled bottom to eliminate cable congestion. 17K" post length NOTE: EP17 should be used with a UL listed fixture and grounding means (i.e., third wire) suitable for use in wet locations. "x" = required depth of conduit per local codes.</p>	
<p>Architectural Junction Box Cat. No. Finish JB1/BL Black JB1/DB Dark Bronze JB1/GR Verde Green No Option</p>	<p>Die-cast aluminum with K" NPSM fixture mount. Internal set screw provided for locking position. Two K" NPSM in bottom, 17 cu in. internal volume. Super TGIC powder coat paint over clear anodizing and titanated zirconium conversion coating. NOTE: May also be used to hard mount low voltage fixtures. Application Notes <ul style="list-style-type: none"> • Elevates Accent Lights above ground cover to prevent foliage from blocking the light. • Elevates Path Lights above ground cover to achieve a greater light throw. CAUTION: Junction box must be installed high enough to avoid contact with soil or standing water.</p>	
<p>Portable Spear Mount Cat. No. J-25N No Option</p>	<p>Cast iron with K" NPSM fixture mount. Hot dip galvanized finish. 5.5 cu in. splice compartment. (SJTW-A) 3 wire cord and plug. 9' cord length</p>	

Spun Copper Bullet C24

120 TO 277 VOLT SPUN COPPER LED

Type:

Job:



Mounting Options

Ordered Separately from Fixture

Brass In-grade Architectural Junction Box

Cat. No.

- | JBR-2
- | JBR-3
- | JBR-24
- | JBR-21
- | No Option

Die-cast brass with K" NPSM fixture mount and die-cast cover. Internal set screw provided for locking position. 18 cu in. internal volume.

- JBR-2** (2) K" NPT in bottom
- JBR-3** (2) L" NPT in bottom
- JBR-21** (2) K" NPT in sides, (2) K" NPT in bottom
- JBR-24** (4) K" NPT in sides, (2) K" NPT in bottom

All side taps provided with plugs.

NOTE: May also be used to hard mount low voltage fixtures.

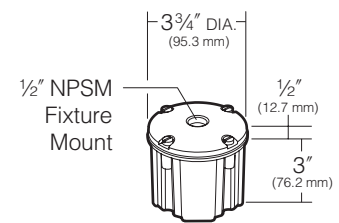
25 Year Limited Warranty:

Solid brass junction boxes are warranted for 25 years, from date of sale, against manufacturing defects and failure due to corrosion.

Application Notes

- Creates a flush-mounted appearance.
- May be cast in concrete for increased stability.

CAUTION: Fixture stem and swivel must not contact soil or standing water. Provide drainage away from junction box.



Brass In-grade Staked Junction Box

Cat. No.

- | JBR30
- | No Option

JBR30 BRASS IN-GRADE STAKED JUNCTION BOX

Die-cast brass with K" NPSM fixture mount and die-cast cover. Internal set screw provided for locking position. 18 cu in. internal volume.

(2) K" NPT in bottom with (2) 19" long brass stakes

NOTE: May also be used to hard mount low voltage fixtures.

Brass In-grade Staked Junction Box with Cord

Cat. No.

- | JBR32
- | No Option

JBR32 BRASS IN-GRADE STAKED JUNCTION BOX WITH CORD

Die-cast brass with K" NPSM fixture mount and die-cast cover. Internal set screw provided for locking position. 18 cu in. internal volume. (SJTW-A) 3 wire cord and plug.

(2) 19" long brass stakes with 9' cord

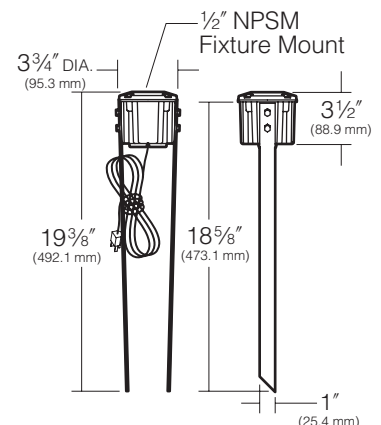
25 Year Limited Warranty:

Solid brass junction boxes are warranted for 25 years, from date of sale, against manufacturing defects and failure due to corrosion.

Application Notes

- Creates a flush-mounted appearance.
- May be cast in concrete for increased stability.

CAUTION: Fixture stem and swivel must not contact soil or standing water. Provide drainage away from junction box.



Spun Copper Bullet C24

120 TO 277 VOLT SPUN COPPER LED

Type:

Job:



Mounting Options

Ordered Separately from Fixture

<p>Stanchion Mount</p> <p>Cat. No. Finish</p> <p> SM18/BL Black</p> <p> SM18/DB Dark Bronze</p> <p> SM18/GR Verde</p> <p>Green</p> <p> No Option</p>	<p>3" O.D. by .188" wall cast aluminum with K" NPSM fixture mount and hand hole with flush cover. Internal set screw fixture lock accessible through hand hole. Internal ground lug supplied with installed lead. Super TGIC powder coat paint over clear anodizing and titanated zirconium conversion coating.</p> <p>NOTE: May also be used to hard mount low voltage fixtures.</p>	
<p>Surface Mount</p> <p>Cat. No. Finish</p> <p> J-27N/BL Black</p> <p> J-27N/DB Dark Bronze</p> <p> J-27N/GR Verde</p> <p>Green</p> <p> No Option</p>	<p>Cast aluminum with K" NPSM fixture mount. Internal set screw provided for locking position. 5 cu in. internal volume. Super TGIC powder coat paint over clear anodizing and titanated zirconium conversion coating.</p> <p>NOTE: May also be used to hard mount low voltage fixtures.</p>	
<p>Brass Architectural Wall Mount</p> <p>Cat. No. Finish</p> <p> JWBR/NB Natural Brass</p> <p> JWBR/VG Verde</p> <p>Green</p> <p>Patina</p> <p> No Option</p>	<p>Die-cast brass with K" NPSM fixture mount. Internal set screw provided for locking position. Canopy attaches to stainless steel wall plate for mounting to any standard electrical outlet box.</p> <p>NOTE: May also be used to hard mount low voltage fixtures.</p>	