

# Traditional BN189

120 VOLT COPPER / BRASS LED

|                                |                          |   |
|--------------------------------|--------------------------|---|
| <b>Type:</b>                   | <b>Mounting Options:</b> | <b>Approvals:</b>                             |
| <b>Job:</b>                    |                          |   |
| <b>Fixture Catalog number:</b> |                          |   |
| /                              |                          |   |
| Fixture Module and Finish      | Hood and Finish          | Ordered Separately from Fixture<br>See page 2 |

## Specifications

**Hood:** Spun copper with low copper alloy aluminum die-cast reflector and hinge assembly. The hood is either raw copper or verde green patina and the reflector is always painted white. The hood reflector assembly is removable with a no-tool stainless steel lever latch. Hood is available in three styles: Pagoda, Cone, and Mushroom.

**Husk:** Die-cast brass with stainless steel hinge / latch assembly.

**Globe:** Fluted glass.

**Stem:** 8" schedule 40 red brass pipe with K" NPT at bottom plus solid brass locknut for secure mounting.

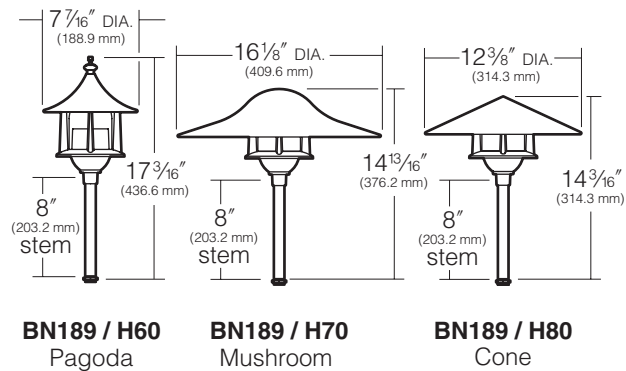
**Wiring:** No. 18AWM rated 105°C.

**Optical System:** A total of 3 LED emitters configured in a rectangular array comprised together as a module. Available in 3000K, 4200K and 5100K.

**Driver:** Universal Voltage from 120 to 277V with a ±10% tolerance. -40°F. starting temperature. All drivers are Underwriters Laboratories recognized.

**Finish:** Natural Brass (**NB**) and Verde Green Patina (**VG**).

**Certification:** UL Listed to U.S. and Canadian safety standards for wet locations.



**BN189 / H60**  
Pagoda

**BN189 / H70**  
Mushroom

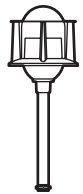
**BN189 / H80**  
Cone

**NOTE:** Fixture modules and hoods may be ordered separately.



## ORDERING INFORMATION

| Fixture                | Source               | Finish            |
|------------------------|----------------------|-------------------|
| <b>BN189/3L3KUV'NB</b> | 5.2W, 3 LED's, 3000K | Brass/<br>Natural |
| <b>BN189/3L4KUV'NB</b> | 5.2W, 3 LED's, 4200K |                   |
| <b>BN189/3L5KUV'NB</b> | 5.2W, 3 LED's, 5100K |                   |
| <b>BN189/3L3KUV'VG</b> | 5.2W, 3 LED's, 3000K | Brass/<br>Verde   |
| <b>BN189/3L4KUV'VG</b> | 5.2W, 3 LED's, 4200K |                   |
| <b>BN189/3L5KUV'VG</b> | 5.2W, 3 LED's, 5100K |                   |



<sup>1</sup>Universal Voltage from 120 to 277V with a ±10% tolerance. For 5.2W, Max Amps. are .040 for 120V, .030 for 208V, .020 for 240V, .020 for 277V

### Pagoda Hood

- | **H60NB**
- | **H60VG**

### Material/Finish

Copper/Natural  
Copper/Verde Green  
Patina



### Mushroom Hood

- | **H70NB**
- | **H70VG**

### Material/Finish

Copper/Natural  
Copper/Verde Green  
Patina

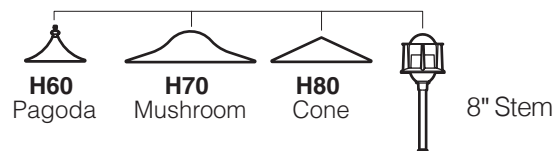


### Cone Hood

- | **H80NB**
- | **H80VG**

### Material/Finish

Copper/Natural  
Copper/Verde Green  
Patina



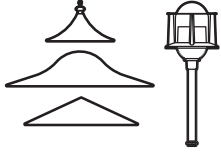
KIM LIGHTING RESERVES THE RIGHT TO CHANGE SPECIFICATIONS WITHOUT NOTICE.

# Traditional BN189

120 VOLT COPPER / BRASS LED

Type:

Job:



## Mounting Options

Ordered Separately from Fixture

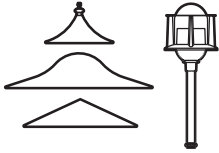
|   |   |
|---|---|
| <p><b>Landscape Light Post by Engineered Products Co.</b><br/>Cat. No.<br/>  EP17<br/>  No Option</p>   | <p>PVC fixture molded in black with K" NPT mount is corrosion free and UV resistant. Replaces EMT, conduit connectors and weatherproof boxes. 17K" post length.</p>   |
| <p><b>Architectural Junction Box</b><br/>Cat. No.      Finish<br/>  JB1/BL      Black<br/>  JB1/DB      Dark Bronze<br/>  JB1/GR      Verde Green<br/>  No Option</p> | <p>Die-cast aluminum with K" NPSM fixture mount. Internal set screw provided for locking position. Two K" NPSM in bottom, 17 cu in. internal volume. TGIC powder coat.</p>  |
| <p><b>Portable Spear Mount</b><br/>Cat. No.<br/>  J-25N<br/>  No Option</p>   | <p>Cast iron with K" NPSM fixture mount. Hot dip galvanized finish. 5.5 cu in. splice compartment. (SJTW-A) 3 wire cord and plug. 9' cord length.</p>   |
| <p><b>Composite In-grade Architectural Junction Box</b><br/>Cat. No.<br/>  JBR-4<br/>  JBR-5<br/>  No Option</p>  | <p>Composite box with K" NPSM fixture mount and composite cover. Internal set screw provided for locking position. 19 cu in. internal volume.<br/><b>JBR-4</b> (2) L" NPT knock-outs in bottom<br/>(4) L" NPT knock-outs on sides @ 90°<br/><b>JBR-5</b> Same as above but with brass cover<br/><b>NOTE:</b> May also be used to hard mount low voltage fixtures.</p>   |
| <p><b>Brass In-grade Architectural Junction Box</b><br/>Cat. No.<br/>  JBR-2<br/>  JBR-3<br/>  JBR-21<br/>  JBR-24<br/>  No Option</p>                                | <p>Die-cast brass with K" NPSM fixture mount and die-cast cover. Internal set screw provided for locking position. 18 cu in. internal volume.<br/><b>JBR-2</b> (2) K" NPT in bottom<br/><b>JBR-3</b> (2) L" NPT in bottom<br/><b>JBR-21</b> (2) K" NPT in sides, (2) K" NPT in bottom<br/><b>JBR-24</b> (4) K" NPT in sides, (2) K" NPT in bottom<br/>All side taps provided with plugs.</p>  |
| <p><b>Brass In-grade Junction Box</b><br/>Cat. No.<br/>  JBR30<br/>  JBR32<br/>  No Option</p>  | <p><b>JBR30 BRASS IN-GRADE STAKED JUNCTION BOX</b><br/>Die-cast brass with K" NPSM fixture mount and die-cast cover. Internal set screw provided for locking position. 18 cu in. internal volume.<br/>(2) K" NPT in bottom with (2) 19" long brass stakes</p> <hr/> <p><b>JBR32 BRASS IN-GRADE STAKED JUNCTION BOX WITH CORD</b><br/>Die-cast brass with K" NPSM fixture mount and die-cast cover. Internal set screw provided for locking position. 18 cu in. internal volume. (SJTW-A) 3 wire cord and plug.<br/>(2) 19" long brass stakes with 9' cord</p> |

# Traditional BN189

120 VOLT COPPER / BRASS LED

Type:

Job:



## Lumen Data

| Spectroradiometric             |               |               |               |
|--------------------------------|---------------|---------------|---------------|
|                                | 3000K         | 4200K         | 5100K         |
| Correlated Color Temp. CCT (K) | 2800 to 3175K | 3800 to 4600K | 4600 to 5600K |
| Color Rendering Index (CRI)    | ≥75           | ≥70           | ≥65           |

| ELECTRICAL - Drive Current @350mA (3 LEDs) |           |              |
|--|-----------|--------------|
| Volts -AC                                  | Amps - AC | System Watts |
| 120  | 0.04      | 5.2          |
| 208  | 0.03      | 5.2          |
| 240  | 0.02      | 5.2          |
| 277  | 0.02      | 5.2          |

| Absolute Lumens (3 LEDs) |            |
|--------------------------|------------|
| Temperature              | BN189/3L*K |
| 3000K                    | 64.5       |
| 4200K                    | 74.6       |
| 5100K                    | 82.5       |

| Lumens Per Watt (3 LEDs) |            |
|--------------------------|------------|
| Temperature              | BN189/3L*K |
| 3000K                    | 12.4       |
| 4200K                    | 14.3       |
| 5100K                    | 15.9       |