



**Bell™ BN167**

120 / 277 VOLT DIE-CAST BRASS LED

Type:

Job:



**Fixture Options**

Ordered Separately from Fixture

**Lens Accessories**

Cat. No. (See right)

| No Option

**PL72 - Prismatic Lens:** Softens lamp distribution and flattens beam spread. Best with flood lamps. Inserts behind lens into lens gasket.

Cat. No.

| **PL72** Prismatic Lens



**SL72 - Spread Lens:** Creates an oval beam pattern, more narrow in one beam axis. Best with spot lamps. Inserts behind lens into lens gasket.

| **SL72** Spread Lens



**Bell™ BN167**

120 / 277 VOLT DIE-CAST BRASS LED

Type:

Job:



## Mounting Options

Ordered Separately from Fixture

**Landscape Light Post by Engineered Products Co.**

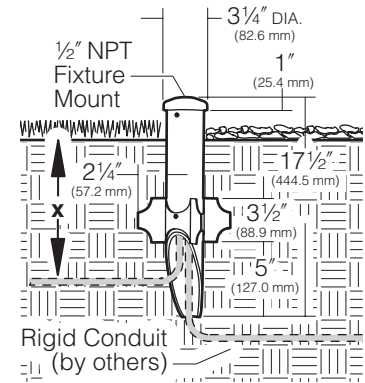
Cat. No.  
| EP17  
| No Option

PVC fixture molded in black with 1/2" NPT mount is corrosion free and UV resistant. Replaces EMT, conduit connectors and weatherproof boxes. 100% shatter resistant against denting and cracking. Angled bottom to eliminate cable congestion.

17 1/2" post length

**NOTE:** EP17 should be used with a UL listed fixture and grounding means (i.e., third wire) suitable for use in wet locations.

"x" = required depth of conduit per local codes.



**Architectural Junction Box**

Cat. No.      Finish  
| JB1/BL      Black  
| JB1/DB      Dark Bronze  
| JB1/GR      Verde Green  
| No Option

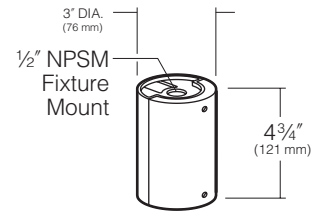
Die-cast aluminum with 1/2" NPSM fixture mount. Internal set screw provided for locking position. Two 1/2" NPSM in bottom, 17 cu in. internal volume. Super TGIC powder coat paint over clear anodizing and titanated zirconium conversion coating.

**NOTE:** May also be used to hard mount low voltage fixtures.

**Application Notes**

- Elevates Accent Lights above ground cover to prevent foliage from blocking the light.
- Elevates Path Lights above ground cover to achieve a greater light throw.

**CAUTION:** Junction box must be installed high enough to avoid contact with soil or standing water.



**Brass In-grade Architectural Junction Box**

Cat. No.  
| JBR-2  
| JBR-3  
| JBR-21  
| JBR-24  
| No Option

Die-cast brass with 1/2" NPSM fixture mount and die-cast cover. Internal set screw provided for locking position. 18 cu in. internal volume.

- JBR-2** (2) 1/2" NPT in bottom
- JBR-3** (2) 3/4" NPT in bottom
- JBR-21** (2) 1/2" NPT in sides, (2) 1/2" NPT in bottom
- JBR-24** (4) 1/2" NPT in sides, (2) 1/2" NPT in bottom

All side taps provided with plugs.

**NOTE:** May also be used to hard mount low voltage fixtures.

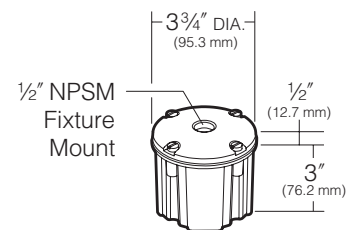
**25 Year Limited Warranty:**

Solid brass junction boxes are warranted for 25 years, from date of sale, against manufacturing defects and failure due to corrosion.

**Application Notes**

- Creates a flush-mounted appearance.
- May be cast in concrete for increased stability.

**CAUTION:** Fixture stem and swivel must not contact soil or standing water. Provide drainage away from junction box.



**Bell™ BN167**

120 / 277 VOLT DIE-CAST BRASS LED

Type:

Job:



**Mounting Options**  
Ordered Separately from Fixture

**Brass In-grade Staked Junction Box**

Cat. No.

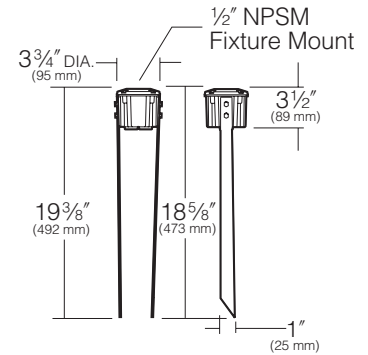
| JBR30

| No Option

Die-cast brass with 1/2" NPSM fixture mount and die-cast cover. Internal set screw provided for locking position. 18 cu in. internal volume.

(2) 1/2" NPT in bottom with (2) 19" long brass stakes

**NOTE:** May also be used to hard mount low voltage fixtures.



**Stanchion Mount**

Cat. No.

| SM18/BL

| SM18/DB

| SM18/GR

| No Option

Finish

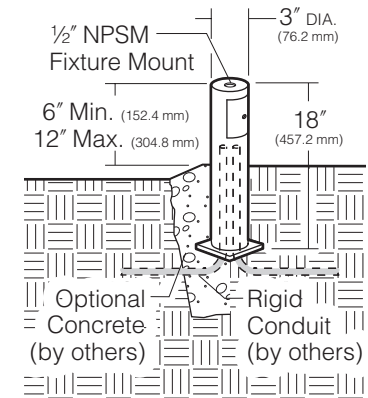
Black

Dark Bronze

Verde Green

3" O.D. by .188" wall cast aluminum with 1/2" NPSM fixture mount and hand hole with flush cover. Internal set screw fixture lock accessible through hand hole. Internal ground lug supplied with installed lead. Super TGIC powder coat paint over clear anodizing and titanated zirconium conversion coating.

**NOTE:** May also be used to hard mount low voltage fixtures.



**Bell™ BN167**

120 / 277 VOLT DIE-CAST BRASS LED

Type:

Job:

**Lumen Data**

Spectroradiometric			
	3000K	4200K	5100K
Correlated Color Temp. CCT (K)	2800 to 3175K	3800 to 4600K	4600 to 5600K
Color Rendering Index (CRI)	≥75	≥70	≥65

ELECTRICAL - Drive Current @350mA (3 LEDs)		
Volts -AC	Amps - AC	System Watts
120	0.04	5.3
208	0.03	5.3
240	0.02	5.3
277	0.02	5.3

ELECTRICAL - Drive Current @350mA (9 LEDs)		
Volts -AC	Amps - AC	System Watts
120	0.28	11.9
208	0.28	11.9
240	0.28	11.9
277	0.28	11.9

Absolute Lumens (3 LEDs)	
Temperature	BN167/3L*K
3000K	199.7
4200K	205.1
5100K	206

Absolute Lumens (9 LEDs)	
Temperature	BN167/9L*K
3000K	618.7
4200K	703.6
5100K	823.9

Lumens Per Watt (3 LEDs)	
Temperature	BN167/3L*K
3000K	37.7
4200K	38.7
5100K	38.9

Lumens Per Watt (9 LEDs)	
Temperature	BN167/9L*K
3000K	52.0
4200K	59.1
5100K	69.2