

KFL3

ARCHITECTURAL FLOOD

**Architectural
FLOODLIGHT COLLECTION**

FEATURES

- Lumen range from 10,000 to 20,000 lm
- Color Temperature 3000K, 4000K, 5,000K at 70 and 80 CRI
- Yoke and Threaded Knuckle, and Slipfitter Knuckle mounting options
- 6 beam distributions and beam angles including: Narrow 17°x17°, Medium 26°x26°, Medium Flood 62°x62°, Wide 80°x81°, Horizontal 53°x21°, and Vertical 21°x53°



KFL3 White

CONTROL TECHNOLOGY

RELATED PRODUCTS

Ouro

Pavilion

PGL8



SPECIFICATIONS

CONSTRUCTION

- One piece die-cast, low copper (<0.6% Cu) Aluminum Alloy 360 with vents and .100" minimum wall thickness
- Separate internal driver compartment rated for IP66 ingress protection
- Finish: fade and abrasion resistant, electrostatically applied, thermally cured, triglycidal isocyanurate (TGIC) polyester powdercoat.
- Standard colors include (BLS) Black Gloss Smooth, (BLT) Black Matte Textured, (DBS) Dark Bronze Gloss Smooth, (GTT) Graphite Matte Textured, (LGS) Light Gray Gloss Smooth, (PSS) Platinum Silver Smooth, (VGS) Verde Green Smooth, (WH) White, and (CC) Custom Color (Include RAL#).
- Lens is impact resistant 1/8" tempered glass with anti-reflective coating
- Lens has a one-piece extruded vulcanized silicone gasket
- Lens frame one piece die-cast, low copper (<0.6% Cu) Aluminum Alloy 360 and .100" minimum wall thickness
- Lens frame has a one-piece O-ring extruded vulcanized silicone gasket
- Mid-frame one piece die-cast, low copper (<0.6% Cu) Aluminum Alloy 360 and .100" minimum wall thickness
- Mid-frame secures to Lens Frame and housing by stainless steel recessed Allen-head screws
- Silicone gaskets throughout
- All external fasteners are stainless steel

OPTICS

- LEDs mount to a metal printed circuit board assembly (MCPCB)
- Optical lenses are clear injection molded PMMA acrylic

INSTALLATION

- Fixtures must be grounded in accordance with national, state and/or local electrical codes. Failure to do so may result in serious personal injury

ELECTRICAL

- Universal voltage, 120 through 277V with a ±10% tolerance. Driver is Underwriters Laboratories recognized
- High voltage configurations, 347/480. Driver has a 0-10V dimming interface for multi-level illumination options. Driver is Underwriters Laboratories recognized
- "Thermal Shield", secondary side, thermistor provides protection for the sustainable life of LED module and electronic components
- Drivers shall have greater than a 0.9 power factor, less than 20% harmonic distortion, and be suitable for operation in -40°C to 40°C ambient environments
- Luminaire shall be capable of operating at 100% brightness in a 40°C environment. Both driver and optical array have integral thermal protection that will dim the luminaire upon detection of temperatures in excess of 85°C

ELECTRICAL (CONTINUED)

- Dimming range from 10% to 100% through the use of standard 0-10V interface on the programmable driver
- Modular wiring harness in the service area provides user access to the dimming circuitry
- Optional factory programmed dimming profile
- Surge protection: 10,000k in parallel, 20,000k in series
- SF for 120, 277, 347 Line volts
DF for 208, 240, 480 Line volts
- Wiring: No. 18AWM rated 105°C, wet rating.

CERTIFICATIONS AND LISTINGS

- UL 1598 Standard for Luminaires.
- IP66 certified.
- RoHS compliant.

WARRANTY

- 5 year warranty

KEY DATA	
Lumen Range	9,411–21,710
Wattage Range	90–175
Efficacy Range (LPW)	100.3–125.8
Reported Life (Hours)	L70/60,000
Weight	30 lbs 13.6 kg
EPA Front View / Side View	1.85 / .60

KFL3

ARCHITECTURAL FLOOD

ORDERING GUIDE

Example: KFL3-60L-135-3K7-MF-UNV-K-GT-BD

CATALOG #

HOUSING

KFL3		LED Engine		CCT/CRI		Beam Spread		Voltage		Mounting		Color	
KFL3	Architectural Floodlight	40L-90	90W, 10,000 lm	3K7	3000K, 70 CRI	N	Narrow	UNV	Universal 120–277V	Y	Architectural Yoke	BLS	Black Gloss Smooth
		60L-135	135W, 15,000 lm	3K8	3000K, 80 CRI	M	Medium	347	347V	K	Threaded Knuckle	BLT	Black Matte Textured
		80L-175	175W, 20,000 lm	4K7	4000K, 70 CRI	MF	Medium Flood	480	480V	S	Slipfitter Knuckle	DBS	Dark Bronze Gloss Smooth
				4K8	4000K, 80 CRI	WF	Wide Flood	DBT	Dark Bronze Matte Textured				
5K7	5000K, 70 CRI	HF	Horizontal Flood	GTT	Graphite Matte Textured								
5K8	5000K, 80 CRI	VF	Vertical Flood	LGS	Light Grey Gloss Smooth								
												LGT	Light Grey Matte Textured
												PSS	Platinum Silver Gloss Smooth
												VGT	Verde Green Matte Textured
												WHS	White Gloss Smooth
												WHT	White Matte Textured
												Color Option	
												CC ¹	Custom Color

Control Options		Options		Opical Options	
PC	Button Photocontrol	SF	Single Fuse 120, 277, 347 Line Volts	BD	Barn Doors
NXWE	NX Wireless Enabled	DF	Double Fuse 208, 240, 480 Line Volts	HS	Half Glare Shield

Mounting Accessories

Mounting Accessories		Accessories Color	
JBR 2/3/21/24 ²	Brass In-Grade Architectural Junction Box	BLS	Black Gloss Smooth
JBR 4/5 ²	Composite In-Grade Architectural Junction Box	BLT	Black Matte Textured
JBR30 ²	(2) ½" NPT in bottom, (2) 19" long stakes Brass In-Grade Staked Junction Box	DBS	Dark Bronze Gloss Smooth
JBR32 ²	(2) ½" NPT in bottom, (2) 19" long stakes with 9' cord Brass In-Grade Staked Junction Box	DBT	Dark Bronze Matte Textured
J-27N	Surface Mount	GTT	Graphite Matte Textured
JB1	Architectural Junction Box	LGS	Light Grey Gloss Smooth
M2B	Twin Mount Tenon	LGT	Light Grey Matte Textured
M3E	Triple Mount Tenon	PSS	Platinum Silver Gloss Smooth
PT	Post Top Mount	VGT	Verde Green Matte Textured
PT2	Twin Post Top Mount	WHS	White Gloss Smooth
SPT	Side Pole Mount Tenon	WHT	White Matte Textured
SM2	Stanchion Mount Tenon	Color Option	
SM18	Stanchion Mount	CC ¹	Custom Color
SPM	Side Pole Mount		
SMT	Surface Mount Tenon		
WM	Wall or Ceiling Mount		
WM1	Wall Mount		
WM2	Wall Mount Tenon		

Notes:
 1 Consult factory for custom color, marine and corrosive finish options
 2 See pages 8 for all JBR options and ordering logic

KFL3

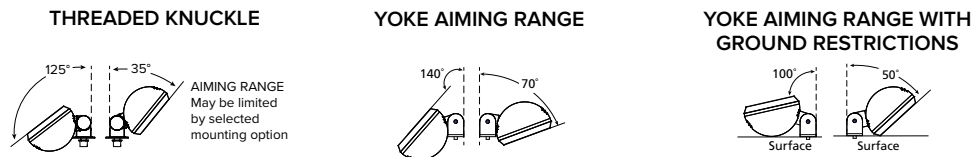
ARCHITECTURAL FLOOD

DELIVERED LUMENS

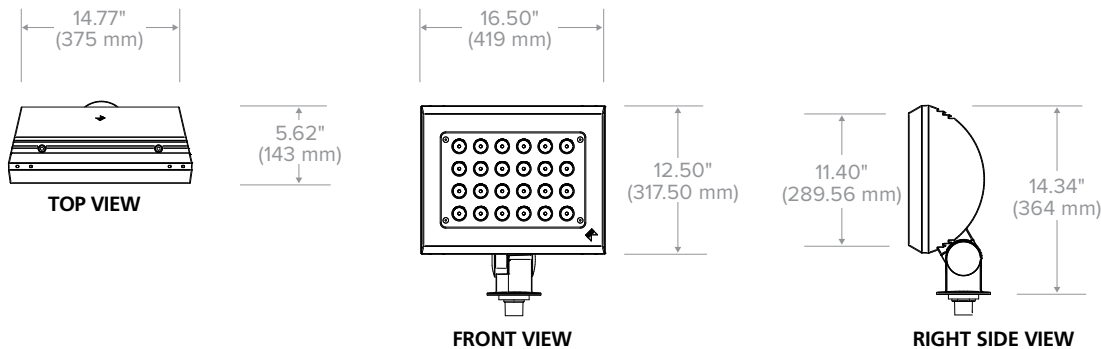
LEDs #	Nominal Watts	Nominal Lumens	Distribution	Beam Angles	3000K 70CRI			4000K 70CRI			5000K 70CRI		
					Lumen	Center Beam Candlepower	lm/w	Lumen	Center Beam Candlepower	lm/w	Lumen	Center Beam Candlepower	lm/w
40L	90	10,000 lm	N	17° x 17°	9447	82353	104.4	9710	84646	107.3	10080	87871	111.6
			M	27° x 28°	9883	34135	109.2	10159	35088	112.2	10546	36425	116.5
			MF	62° x 63°	9941	10543	109.8	10217	10835	112.9	10607	11249	117.1
			WF	81° x 81°	10699	7957	118.2	10997	8178	121.5	11416	8490	125.8
			HF	53° x 21°	9458	16271	104.5	9721	16724	107.4	10092	17362	111.6
			VF	21° x 53°	9411	16308	104.0	9673	16762	106.9	10042	17401	111.1
60L	135	15,000 lm	N	17° x 17°	13951	125164	104.7	14339	128645	107.6	14886	133553	111.6
			M	27° x 27°	14488	50783	108.7	14891	52195	111.7	15459	54186	116.1
			MF	62° x 62°	14753	16207	110.7	15164	16658	113.8	15742	17293	117.6
			WF	80° x 80°	15738	11759	118.1	16176	12086	121.4	16793	12547	125.8
			HF	53° x 21°	13709	23862	102.9	14091	24529	105.7	14628	25464	110.2
			VF	21° x 53°	13610	23691	102.1	13990	24352	105.0	14523	25280	109.3
80L	175	20,000 lm	N	17° x 17°	18241	164445	103.8	18749	169024	106.7	19464	175470	110.7
			M	26° x 26°	18966	67733	107.9	19495	69623	111.0	20238	72276	115.0
			MF	62° x 62°	19035	20901	108.3	19565	21483	111.4	20311	22302	115.5
			WF	80° x 81°	20346	15200	115.8	20913	15624	119.0	21710	16219	123.7
			HF	53° x 21°	17615	31364	100.3	18106	32238	103.0	18796	33467	107.1
			VF	21° x 53°	17679	31509	100.6	18171	32386	103.4	18864	33621	107.5

CRI Lumen Multiplier	
CCT	80 CRI
3000K	0.9119
4000K	0.8941
5000K	0.8625

AIMING INFORMATION



DIMENSIONS



KFL3

ARCHITECTURAL FLOOD

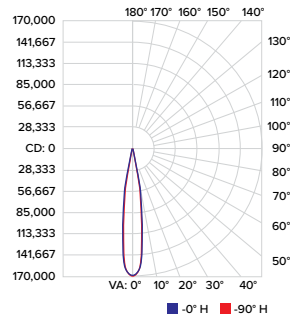
PHOTOMETRY

KFL3-80L-175-4K7-N

LUMINAIRE DATA

Description	4000K, 70CRI
Delivered Lumens	18749
Watts	175.7
Efficacy	106.7
Beam Angles (H x V)	17° x 17°
Center Beam Candlepower	169024

POLAR CANDELA DISTRIBUTION



ILLUMINANCE AT A DISTANCE

	Center Beam fc	Beam Width	
68.5 ft	36.00 fc	19.9 ft	20.0 ft
137.0 ft	9.01 fc	39.7 ft	40.0 ft
205.6 ft	4.00 fc	59.6 ft	60.0 ft
274.1 ft	2.25 fc	79.5 ft	79.9 ft
342.6 ft	1.44 fc	99.3 ft	99.9 ft
411.1 ft	1.00 fc	119.2 ft	119.9 ft

■ Vertical Spread: 16.5° ■ Horizpread: 16.6°

LUMENS PER ZONE

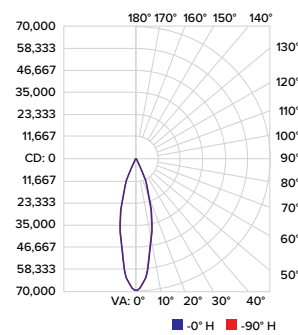
Zone	Lumens	% Total
0-10	10,366.2	54.90%
10-20	5,828.3	30.90%
20-30	1,066.3	5.70%
30-40	476.1	2.50%
40-50	402.6	2.10%
50-60	328.4	1.70%
60-70	239.9	1.30%
70-80	133.9	0.70%
80-90	28.2	0.10%

KFL3-80L-175-4K7-M

LUMINAIRE DATA

Description	4000K, 70CRI
Delivered Lumens	19495
Watts	175.7
Efficacy	111.0
Beam Angles (H x V)	26° x 26°
Center Beam Candlepower	69623

POLAR CANDELA DISTRIBUTION



ILLUMINANCE AT A DISTANCE

	Center Beam fc	Beam Width	
44.0 ft	36.00 fc	21.0 ft	20.8 ft
87.9 ft	9.01 fc	42.0 ft	41.6 ft
131.9 ft	4.00 fc	63.0 ft	62.4 ft
175.9 ft	2.25 fc	84.0 ft	83.2 ft
219.8 ft	1.44 fc	104.9 ft	104.0 ft
263.8 ft	1.00 fc	125.9 ft	124.8 ft

■ Vertical Spread: 26.8° ■ Horizpread: 26.6°

LUMENS PER ZONE

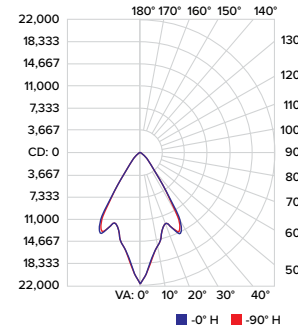
Zone	Lumens	% Total
0-10	5,158.4	26.40%
10-20	8,367.7	42.80%
20-30	4,026.0	20.60%
30-40	1,019.0	5.20%
40-50	395.9	2.00%
50-60	281.9	1.40%
60-70	182.3	0.90%
70-80	90.8	0.50%
80-90	20.2	0.10%

KFL3-80L-175-4K7-MF

LUMINAIRE DATA

Description	4000K, 70CRI
Delivered Lumens	19565
Watts	175.7
Efficacy	111.4
Beam Angles (H x V)	62° x 62°
Center Beam Candlepower	21483

POLAR CANDELA DISTRIBUTION



ILLUMINANCE AT A DISTANCE

	Center Beam fc	Beam Width	
24.40 ft	36.10 fc	29.6 ft	29.4 ft
48.8 ft	9.02 fc	59.2 ft	58.7 ft
73.2 ft	4.01 fc	88.8 ft	88.1 ft
97.7 ft	2.25 fc	118.6 ft	117.5 ft
122.1 ft	1.44 fc	148.2 ft	146.9 ft
146.5 ft	1.00 fc	177.8 ft	176.3 ft

■ Vertical Spread: 62.5° ■ Horizpread: 62.1°

LUMENS PER ZONE

Zone	Lumens	% Total
0-10	1,654.6	8.40%
10-20	3,949.9	20.20%
20-30	6,536.7	33.40%
30-40	4,257.1	21.70%
40-50	1,649.4	8.40%
50-60	782.3	4.00%
60-70	484.1	2.50%
70-80	218.0	1.10%
80-90	51.9	0.30%

KFL3
ARCHITECTURAL FLOOD

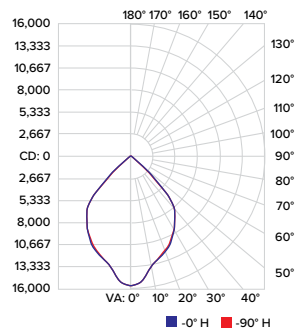
PHOTOMETRY CONTINUED

KFL3-80L-175-4K7-WF

LUMINAIRE DATA

Description	4000K, 70CRI
Delivered Lumens	20913
Watts	175.7
Efficacy	119.0
Beam Angles (H x V)	80° x 81°
Center Beam Candlepower	15624

POLAR CANDELA DISTRIBUTION



ILLUMINANCE AT A DISTANCE

	Center Beam fc	Beam Width	
20.80 ft	36.10 fc	35.5 ft	35.2 ft
41.7 ft	8.99 fc	71.2 ft	70.6 ft
62.5 ft	4.00 fc	106.7 ft	105.9 ft
83.3 ft	2.25 fc	142.2 ft	141.1 ft
104.2 ft	1.44 fc	177.9 ft	176.5 ft
125.0 ft	1.00 fc	213.4 ft	211.8 ft

■ Vertical Spread: 81.0° ■ Horizpread: 80.5°

LUMENS PER ZONE

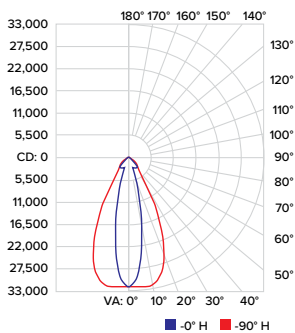
Zone	Lumens	% Total
0-10	1,3971	6.70%
10-20	3,594.0	17.20%
20-30	5,113.7	24.40%
30-40	5,699.6	27.20%
40-50	4,076.9	19.50%
50-60	823.6	3.90%
60-70	148.6	0.70%
70-80	63.6	0.30%
80-90	17.4	0.10%

KFL3-80L-175-4K7-HF

LUMINAIRE DATA

Description	4000K, 70CRI
Delivered Lumens	18106
Watts	175.7
Efficacy	103.1
Beam Angles (H x V)	53° x 21°
Center Beam Candlepower	32238

POLAR CANDELA DISTRIBUTION



ILLUMINANCE AT A DISTANCE

	Center Beam fc	Beam Width	
30.00 ft	35.40 fc	11.3 ft	29.8 ft
59.9 ft	8.88 fc	22.5 ft	59.5 ft
89.9 ft	3.94 fc	33.8 ft	89.3 ft
119.9 ft	2.22 fc	45.1 ft	119.1 ft
149.8 ft	1.42 fc	56.3 ft	148.8 ft
179.8 ft	0.99 fc	67.6 ft	178.6 ft

■ Vertical Spread: 21.3° ■ Horizpread: 52.8°

LUMENS PER ZONE

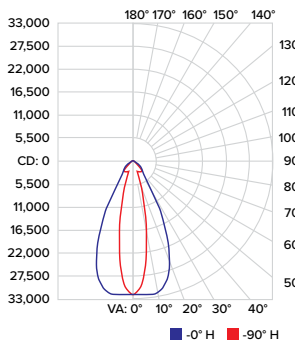
Zone	Lumens	% Total
0-10	2,726.4	15.00%
10-20	4,825.7	26.60%
20-30	3,051.4	16.80%
30-40	2,195.1	12.10%
40-50	2,387.1	13.20%
50-60	1,738.1	9.60%
60-70	830.2	4.60%
70-80	327.8	1.80%
80-90	61.8	0.30%

KFL3-80L-175-4K7-VF

LUMINAIRE DATA

Description	4000K, 70CRI
Delivered Lumens	18171
Watts	175.7
Efficacy	103.4
Beam Angles (H x V)	21° x 53°
Center Beam Candlepower	32386

POLAR CANDELA DISTRIBUTION



ILLUMINANCE AT A DISTANCE

	Center Beam fc	Beam Width	
29.8 ft	35.90 fc	29.7 ft	11.1 ft
59.7 ft	8.95 fc	59.5 ft	22.3 ft
89.5 ft	3.98 fc	89.1 ft	33.4 ft
119.3 ft	2.24 fc	118.8 ft	44.5 ft
149.2 ft	1.43 fc	148.6 ft	55.6 ft
179.0 ft	1.00 fc	178.3 ft	66.7 ft

■ Vertical Spread: 52.9° ■ Horizpread: 21.1°

LUMENS PER ZONE

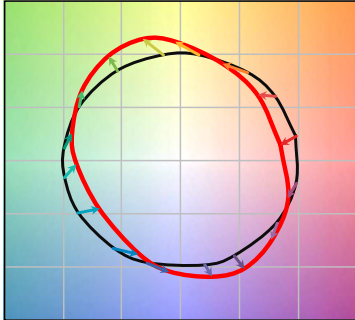
Zone	Lumens	% Total
0-10	2,734.1	15.00%
10-20	4,838.7	26.60%
20-30	3,056.1	16.80%
30-40	2,212.7	12.20%
40-50	2,387.2	13.10%
50-60	1,743.8	9.60%
60-70	837.6	4.60%
70-80	332.8	1.80%
80-90	63.8	0.40%

KFL3

ARCHITECTURAL FLOOD

TM-30 DATA

COLOR VECTOR GRAPHIC

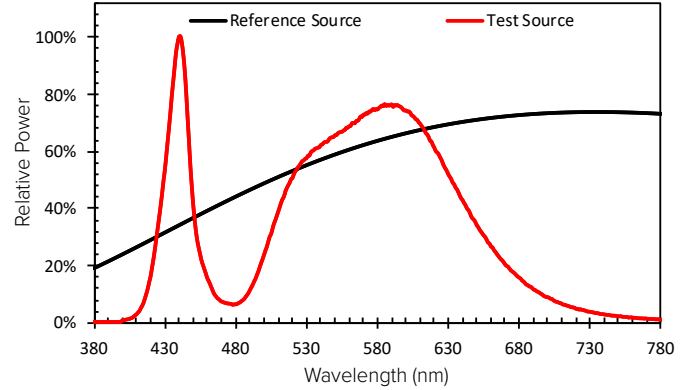


— Reference Illuminant — Test Source

TEST SOURCE

R _f	68
R _a	99
CCT(K)	3947
D _{uv}	0.0004
x	0.3831
y	0.3793
CIE R _a	72

SPECTRAL POWER DISTRIBUTION COMPARISON



ELECTRICAL DATA

Light Engine	System Watts	Drive Current	Electrical								Min. Power Factor	Max THD (%)	Dimming Range	Dimming			
			Line Voltage		Amps AC									Source current out of 0-10V		Absolute voltage range on 0-10V (+)	
			VAC	Hz	120	208	240	277	347	480				Min	Max	Min	Max
40L	90	700 mA	120-480	50/60	0.75	0.43	0.38	0.32	0.26	0.19	>0.9	20	10% to 100%	0mA	1mA	0V	10V
60L	135				1.13	0.65	0.56	0.49	0.39	0.28							
80L	175				1.46	0.84	0.73	0.63	0.50	0.36							

TM-21 Lifetime Calculation - Projected Lumen Maintenance (25°C / 77°C)						
Hours	0	25,000	36,000	50,000	100,000	Reported L70
Projected Lumen Maintenance	100%	95.95%	94.71%	93.16%	87.84%	> 60,000

CRI Multiplier	
CCT	Multiplier
3000K	0.9119
4000K	0.8941
5000K	0.8625

KFL3

ARCHITECTURAL FLOOD

PRODUCT EXCEPTIONS & DETAILS

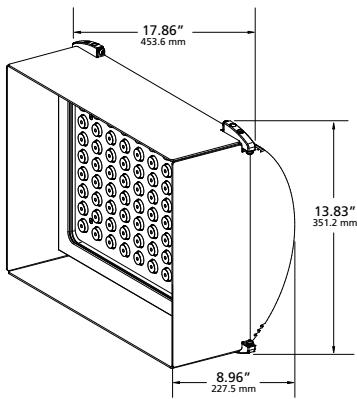
OPTICAL OPTIONS

BARN DOORS (BD)

- Formed 3/32" thick aluminum. Each door is hinged to a cast, low copper (<0.6% Cu) aluminum frame, and locks by set screws. Doors are individually removable. Barn Door assembly mounts to predrilled door frame holes. Assembly will be painted to match fixture housing

CAUTION:

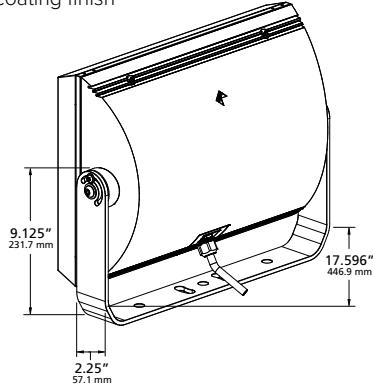
- Not recommended for ground mounted fixtures in vandal prone areas



MOUNTING OPTIONS

ARCHITECTURAL YOKE (Y)

- Architectural Yoke Mount used for surface mounting applications. Secured to surface using three 1/4" bolts
- Yoke is stainless steel material with powder coating finish

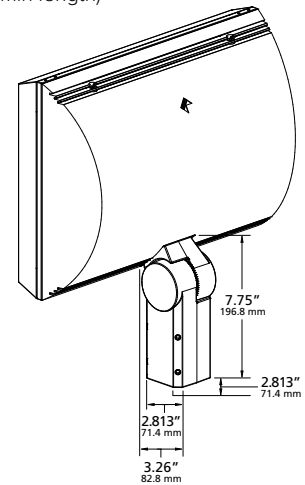


SLIPFITTER KNUCKLE (S)

- Slipfitter Knuckle is die-cast aluminum with integral locking teeth providing 5° adjustment intervals. Stainless steel hardware Allen-head screw with spring locking washer and four set screws. Clear anodized prior to chromate conversion coating for added corrosion resistance

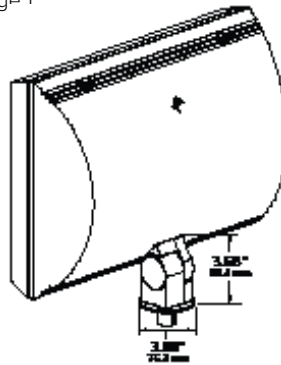
NOTE:

- Slips over 2" pipe-size tenon (2 3/8" O.D. x 3 1/2" min length)



THREADED KNUCKLE (K)

- Threaded Knuckle is die-cast aluminum with integral locking teeth providing 5° adjustment intervals. Stainless steel allen-head screw with spring locking washer and 1/2" NPSM. Clear anodized prior to chromate conversion coating for added corrosion resistance
- Threaded Knuckle mounting used in conjunction with mounting accessories listed on page 1

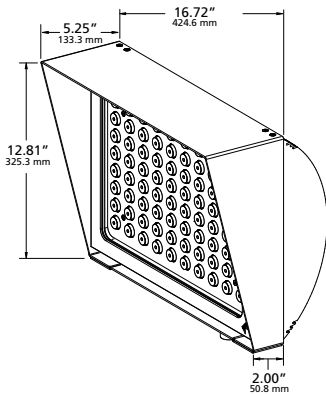


HALF GLARE SHIELD (HS)

- Formed 3/32" thick aluminum. Mounts to predrilled door frame holes. Can be mounted along the top or bottom of the fixture to shield the lamp and lens from view. Assembly will be painted to match fixture housing

CAUTION:

- Not recommended for ground mounted fixtures in vandal prone areas



KFL3

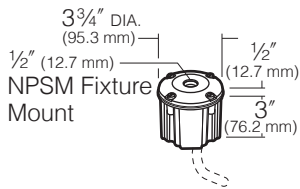
ARCHITECTURAL FLOOD

PRODUCT EXCEPTIONS & DETAILS CONTINUED

MOUNTING ACCESSORIES

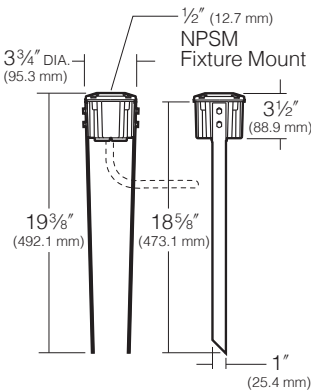
BRASS IN-GRADE ARCHITECTURAL JUNCTION BOX (THREADED KNUCKLE MOUNT ONLY)

- **JBR-2** (2) 1/2" NPT in bottom
- **JBR-3**. (2) 3/4" NPT in bottom
- **JBR21** (2) 1/2" NPT in sides (2) 1/2" NPT in bottom
- **JBR24** (4) 1/2" NPT in sides (2) 1/2" NPT in bottom
- Die-cast brass with 1/2" NPSM fixture mount and die-cast cover. Internal set screw provided for locking position. 21 cu in. internal volume. NOTE: All side taps provided with plugs. Creates a flush-mounted appearance. May be cast in concrete for increased stability. **CAUTION:** Fixture stem and swivel must not contact soil or standing water. Provide drainage away from junction box.



BRASS IN-GRADE STAKED JUNCTION BOX (THREADED KNUCKLE MOUNT ONLY)

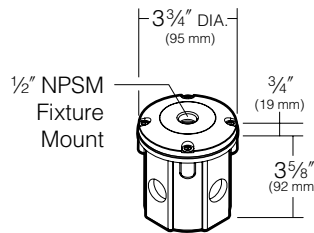
- **JBR-30** (2) 1/2" NPT in bottom, (2) 19" long stakes Brass In-Grade Staked Junction Box
- **JBR-32**. (2) 19" long stakes
- Die-cast brass with 1/2" NPSM fixture mount and die-cast cover. Internal set screw provided for locking position. 21 cu in. internal volume. May be cast in concrete for increased stability. **CAUTION:** To assure a rigid installation, Staked Junction Box must be set in concrete (by others). Fixture stem and swivel must not contact soil or standing water. Provide drainage away from junction box.



COMPOSITE IN-GRADE ARCHITECTURAL JUNCTION BOX

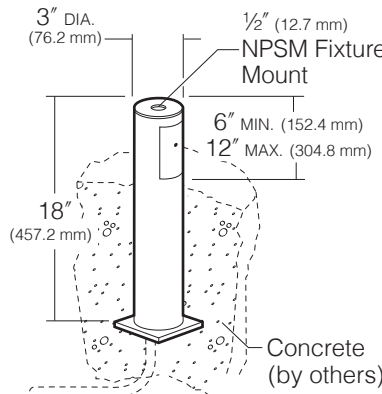
- **JBR-4** (2) 1/2" NPT knock-outs in bottom (4) 1/2" NPT knock-outs on sides at 90°
- **JBR-5** Same as above but with brass cover
- Composite box with 1/2" NPSM fixture mount and composite cover. Internal set screw provided for locking position. 19 cu in. internal volume.

NOTE: May also be used to hard mount low voltage fixtures.
CAUTION: Fixture stem and swivel must not contact soil or standing water. Provide drainage away from junction box.



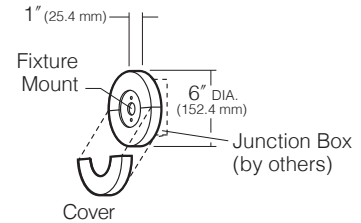
STANCHION MOUNT (SM18) (THREADED KNUCKLE MOUNT ONLY)

- 3" O.D. by .188" wall cast low copper (<0.6% Cu) aluminum with 1/2" NPSM fixture mount and hand hole with flush cover. Internal set screw fixture lock accessible through hand hole. Internal ground lug supplied with installed lead. **CAUTION:** To assure a rigid installation, stanchion must be set in concrete (by others).



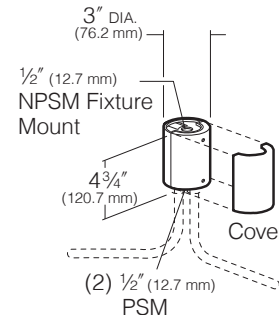
WALL OR CEILING MOUNT (WM) (THREADED KNUCKLE MOUNT ONLY)

- Electro zinc steel mounting plate adapts to standard 4" square or octagonal Junction Boxes. Fixture mounts to cast low copper (<0.6% Cu) aluminum upper cover which attaches to mounting plate. Lower cover half provides splice access. Dielectric sealing compound provided for wall interface.



ARCHITECTURAL JUNCTION BOX (JB1) (THREADED KNUCKLE MOUNT ONLY)

- Die-cast, low copper (<0.6% Cu) anodized aluminum with 1/2" NPSM fixture mount. Internal set screw provided for locking position. Two 1/2" NPSM in bottom, 17 cu in. internal volume. **CAUTION:** Junction Box must be installed high enough to avoid contact with soil or standing water.



KFL3

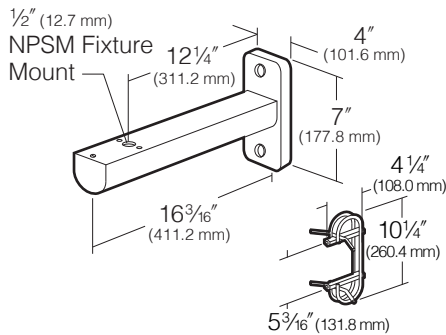
ARCHITECTURAL FLOOD

PRODUCT EXCEPTIONS & DETAILS CONTINUED

MOUNTING ACCESSORIES

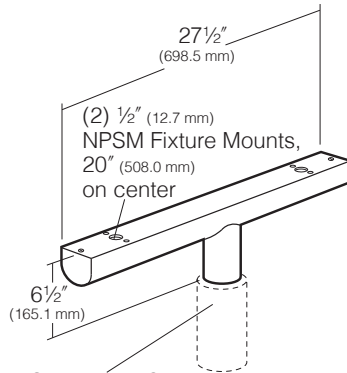
**WALL MOUNT (WM1)
(THREADED KNUCKLE MOUNT ONLY)**

- Extruded aluminum arm with a removable end cap for wiring access. Arm is welded to a cast aluminum plate with two 1/2" dia. mounting holes. Optional Wall Embedment Bracket (WEB) provides 3/8-16 bolt receptacles welded in a galvanized re-bar cage for casting into poured-in-place concrete walls. Bolt receptacles receive fixture attachment bolts. Component EPA: 0.3.



**TWIN MOUNT (TM2)
(THREADED KNUCKLE MOUNT ONLY)**

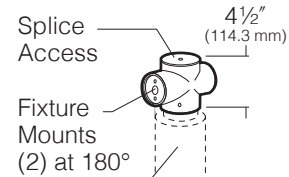
- Extruded aluminum arm. Internal set screw fixture locks. Can be mounted on a SM2, SMT, or Steel Kim Pole with steel 2" pipe-size tenon (2-3/8" O.D. x 3-1/2" min. length). Removable end caps for wiring access. CAUTION: Approved for mounting to poles with steel tenons only. Component EPA: 0.6.



Option with Steel 2" Pipe-Size Tenon (50.8 mm) (SM2, SMT, or KIM Pole)

**TWIN POST TOP MOUNT (PT2)
(THREADED KNUCKLE MOUNT ONLY)**

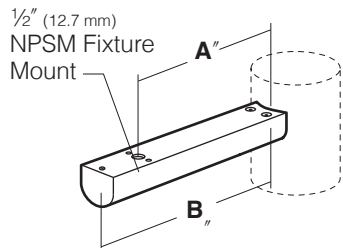
- Cast aluminum mount for pole or other mounting option with 2" pipe-size tenon (2-3/8" O.D. x 3-1/2" minimum length). Fixture attaches with concealed internal studs, mounting is with 1/4-20 allen set screws. Top cap provides splice access. NOTE: Not for use with SMT, SPT, WM2, M2B, or M3E options. Component EPA: 0.1.



Option with 2" Pipe-Size Tenon (50.8 mm) (SM2 or KIM Pole)

**SIDE POLE MOUNT (SPM-X)
(THREADED KNUCKLE MOUNT ONLY)**

- Available for Round and Square Poles. Extruded aluminum arm. Internal set screw fixture lock. Removable end cap for wiring access. For use with other Kim Site/Roadway Luminaires as an additional mid-pole floodlight. X in Side Pole Mount Cat. No. indicates 3", 3-1/2", 4", 5" or 6" pole dia. Example: SPM-4/BL is for 4" round pole with Black finish. For square poles, omit -X. NOTE: Field drilling of Poles is required. Component EPA: 0.3.

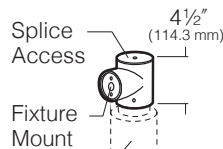


A 11 1/2" (292.1 mm) For Round Poles
12" (304.8 mm) For Square Poles

B 15 3/8" (390.5 mm) For Round Poles
15 7/8" (403.2 mm) For Square Poles

**POST TOP MOUNT (PT)
(THREADED KNUCKLE MOUNT ONLY)**

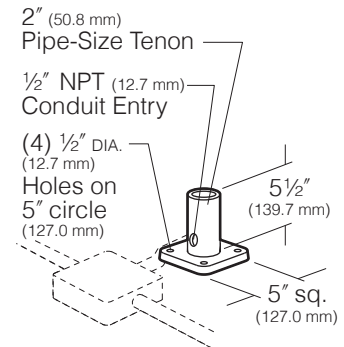
- Cast aluminum mount for pole or other mounting option with 2" pipe-size tenon (2-3/8" O.D. x 3-1/2" minimum length). Fixture attaches with concealed internal studs, mounting is with 1/4-20 allen set screws. Top cap provides splice access. Component EPA: 0.7.



Option with 2" Pipe-Size Tenon (50.8 mm) (WM2, SMT, SM2, M2B, M3E, or KIM Pole)

SURFACE MOUNT TENON (SMT/BL)

- (2" tenon for optional heavy duty swivel mount only)
- 2" pipe-size tenon (2-3/8" O.D., 2" I.D.) welded to a cast aluminum plate. Plate has four 1/2" mounting holes, and tenon has one 1/2" NPT for side conduit entry. Black finish.
- NOTE: Not for use with PT2, M2B, or M3E options. May be wall mounted if horizontal fixture adjustment is not required. For wall mounting with horizontal fixture adjustment, use WM2.



KFL3

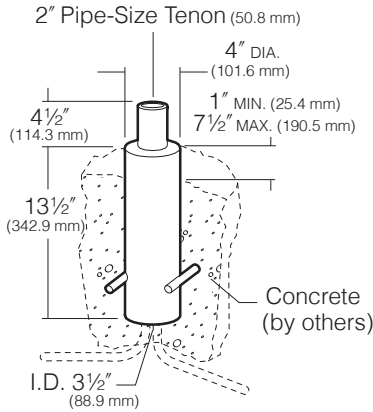
ARCHITECTURAL FLOOD

PRODUCT EXCEPTIONS & DETAILS CONTINUED

MOUNTING ACCESSORIES

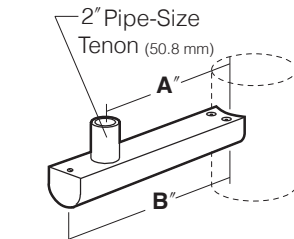
STANCHION MOUNT TENON (SM2/BL)

- (2" tenon for optional heavy duty swivel mount only)
- 4" O.D. cast low copper (<0.6% Cu) aluminum stanchion with 2" pipe-size tenon (2-3/8" O.D., 1-3/8" I.D.) for mounting a single fixture or multiple top-mounts. Black finish.
- CAUTION: Multiple top-mounts must not be used in locations where people can climb on fixtures and mounting arms. To assure a rigid installation, stanchion must be set in concrete (by others).



SIDE POLE MOUNT TENON (SPT-X)

- (2" tenon for optional heavy duty swivel mount only)
- Available for Round and Square Poles. Extruded aluminum arm with one 2" pipe-size tenon (2-3/8" O.D., 2" I.D.). Removable end cap for wiring access. For use with other Kim Site/Roadway Luminaires as an additional mid-pole floodlight. X in Side Pole Mount Cat. No. indicates 3", 3-1/2", 4", 5" or 6" pole dia. Example: SPM-4/BL is for 4" round pole with Black finish. For square poles, omit -X. NOTE: Field drilling of Poles is required. Not for use with PT2 option. Component EPA: 0.3.

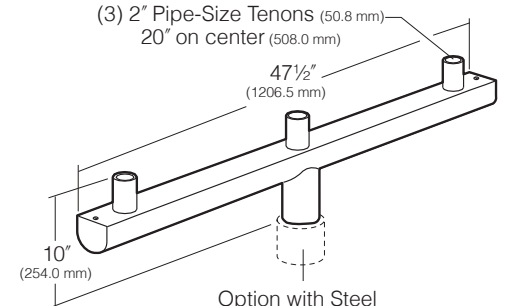


- A** 11 1/2" (292.1 mm) For Round Poles
12" (304.8 mm) For Square Poles
- B** 15 3/8" (390.5 mm) For Round Poles
15 7/8" (403.2 mm) For Square Poles

Triple Mount Tenon (M3E)

- (2" tenon for optional heavy duty swivel mount only)
- Extruded aluminum arm with three 2" pipe-size tenons (2-3/8" O.D., 2" I.D.). Can be mounted on a SM2, SMT, or Steel Kim Pole with steel 2" pipe-size tenon (2-3/8" O.D. x 3-1/2" min. length). Removable end caps for wiring access.

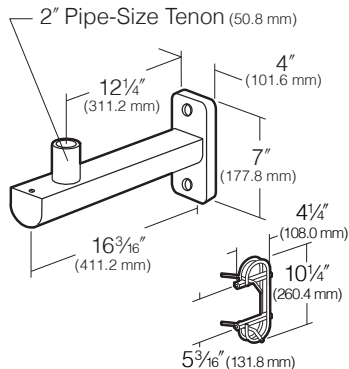
CAUTION: Approved for mounting to poles with steel tenons only. Not for use with PT2 option. Component EPA: 1.0.



Option with Steel
2" Pipe-Size Tenon (50.8 mm)
(SM2, SMT or Steel KIM Pole)

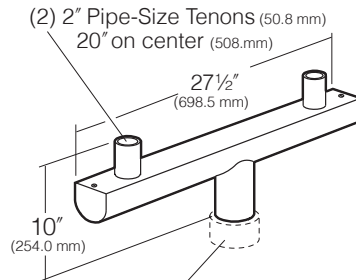
WALL MOUNT TENON (WM2)

- (2" tenon for optional heavy duty swivel mount only)
- 2" pipe-size tenon (2-3/8" O.D., 2" I.D.) welded to an extruded aluminum arm with a removable end cap for wiring access. Arm is welded to a cast aluminum plate with two 1/2" mounting holes. Optional Wall Embedment Bracket (WEB) provides 3/8-16 bolt receptacles welded in a galvanized re-bar cage for casting into poured-in-place concrete walls. Bolt receptacles receive fixture attachment bolts. Component EPA: 0.3.



TWIN MOUNT TENON (M2B)

- (2" tenon for optional heavy duty swivel mount only)
- Extruded aluminum arm with two 2" pipe-size tenons (2-3/8" O.D., 2" I.D.). Can be mounted on a SM2, SMT, or Steel Kim Pole with a steel 2" pipe-size tenon (2-3/8" O.D. x 3-1/2" min. length). Removable end caps for wiring access. CAUTION: Approved for mounting to poles with steel tenons only. Not for use with PT2 option. Component EPA: 0.6.



Option with Steel
2" Pipe-Size Tenon (50.8 mm)
(SM2, SMT or Steel KIM Pole)