

# KT-WDLED10.5PS-4B-9CSF-VDIM

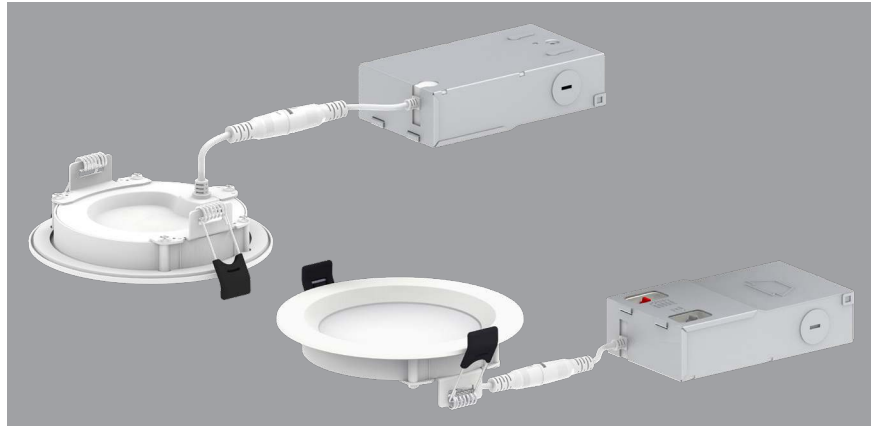
## 4" LED RECESSED WAFER DOWNLIGHT

### DESCRIPTION

4" LED Recessed Wafer Downlight | Power Select Technology | Color Select Technology | Remote Driver with Built-in Junction Box

### APPLICATION

Ideal for residential, hospitality, retail, office, and other retrofit and new construction applications



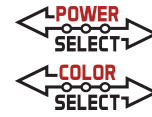
### PRODUCT FEATURES

- Keystone Power Select and Color Select technologies offer SKU reduction and allow for easy, on-the-job adjustments
- Utilizes a remote driver with built-in junction box and quick disconnect; Eliminates the need for a traditional, multi-piece fixture setup
- CEC Compliant Flicker Rate (CEC JA10 std.)
- Ideal for new construction, remodel, and retrofit applications
- Flat body allows fit for shallow ceilings
- Edge-lit LED technology provides even illumination
- Interchangeable trims available in matte black, brushed nickel, and bronze
- Powered by Keystone 0–10V dimming LED driver; 10–100% dimming
- Ambient operating temperature: –30°C/–22°F to 40°C/104°F
- Suitable for use in wet locations
- Airtight and Type IC-rated
- Power factor: >0.90
- THD: <20%
- LED chip lifetime: L70 >80,000 hrs @ 25°C/77°F ambient fixture temp
- FCC Part 15, Subpart B, Class A

### PERFORMANCE SPECIFICATIONS

Catalog Number	Input Voltage	Wattage (Selectable)	CCT (Selectable)*	Lumen Output	Efficacy	CRI	Power Factor	Beam Angle	Lifetime
KT-WDLED10.5PS-4B-9CSF-VDIM	120–277V	10.5W	2700K	750	71 lm/W	>90	>0.9	110°	50,000 hrs
			3000K	770	73 lm/W				
			3500K	795	76 lm/W				
			4000K	810	77 lm/W				
			5000K	800	76 lm/W				
		9.5W	2700K	680	72 lm/W				
			3000K	700	74 lm/W				
			3500K	725	76 lm/W				
			4000K	740	78 lm/W				
			5000K	730	77 lm/W				
		8.5W	2700K	600	71 lm/W				
			3000K	625	74 lm/W				
			3500K	645	76 lm/W				
			4000K	655	77 lm/W				
			5000K	650	76 lm/W				

\*Preset to highest CCT: 5000K  
Color Uniformity: CCT (Correlated Color Temperature) range as per guidelines outlined in ANSI C78.377-2017

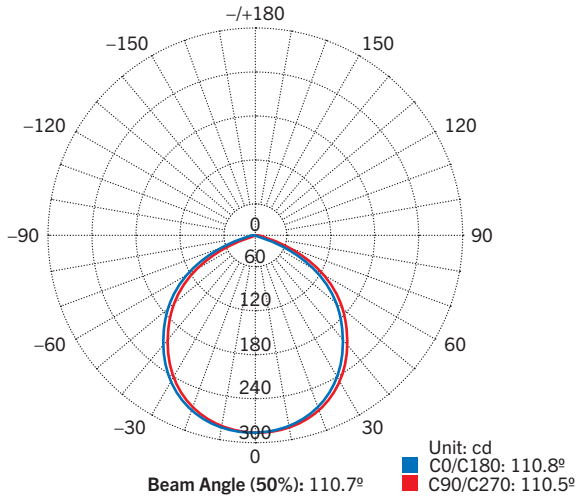


# KT-WDLED10.5PS-4B-9CSF-VDIM

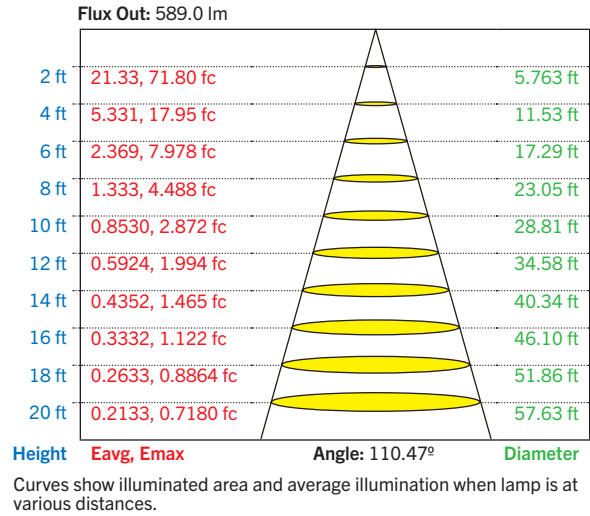
## 4" LED RECESSED WAFER DOWNLIGHT

### PHOTOMETRIC SPECIFICATIONS

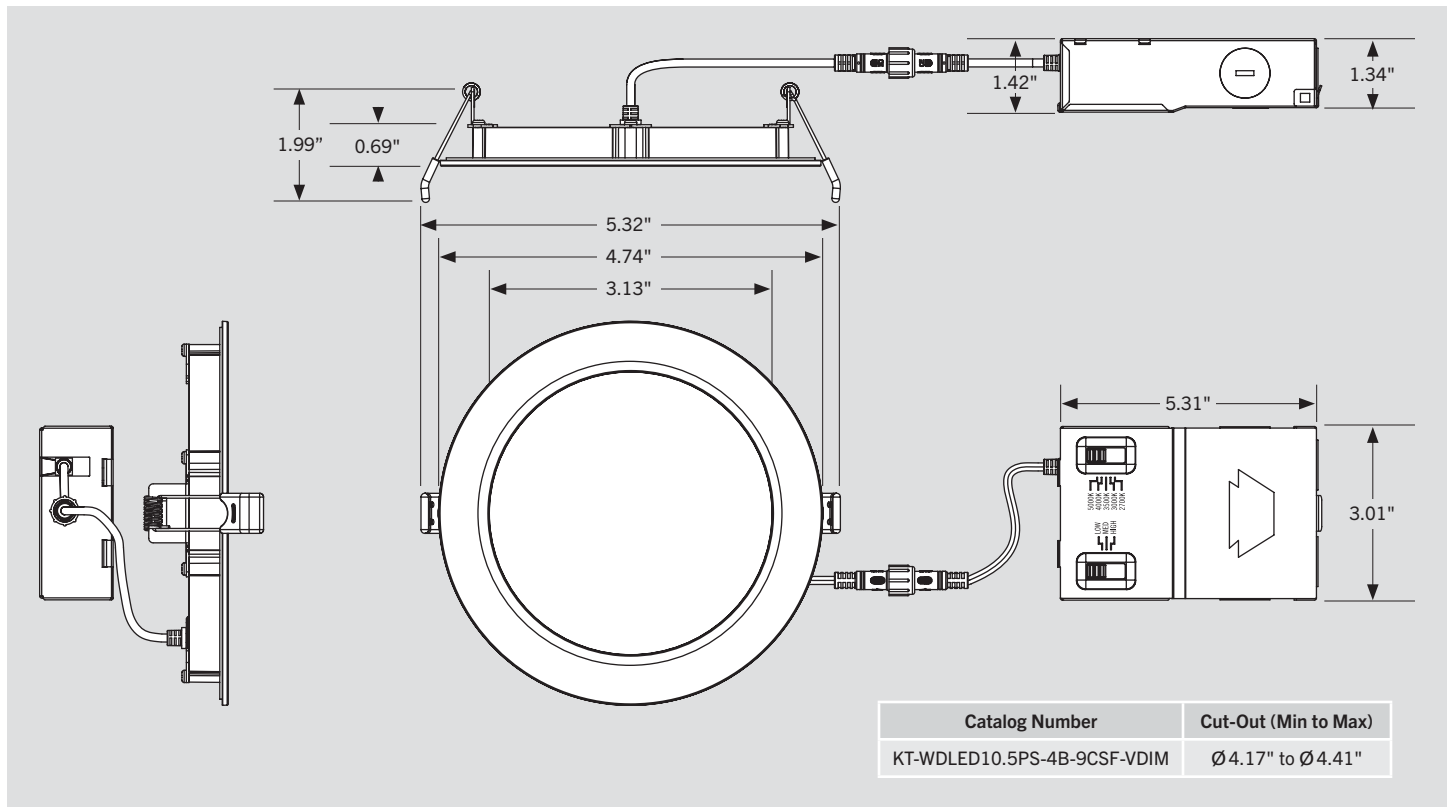
#### POLAR CANDELA DISTRIBUTION



#### LUX DISTANCE CURVE



### PHYSICAL SPECIFICATIONS





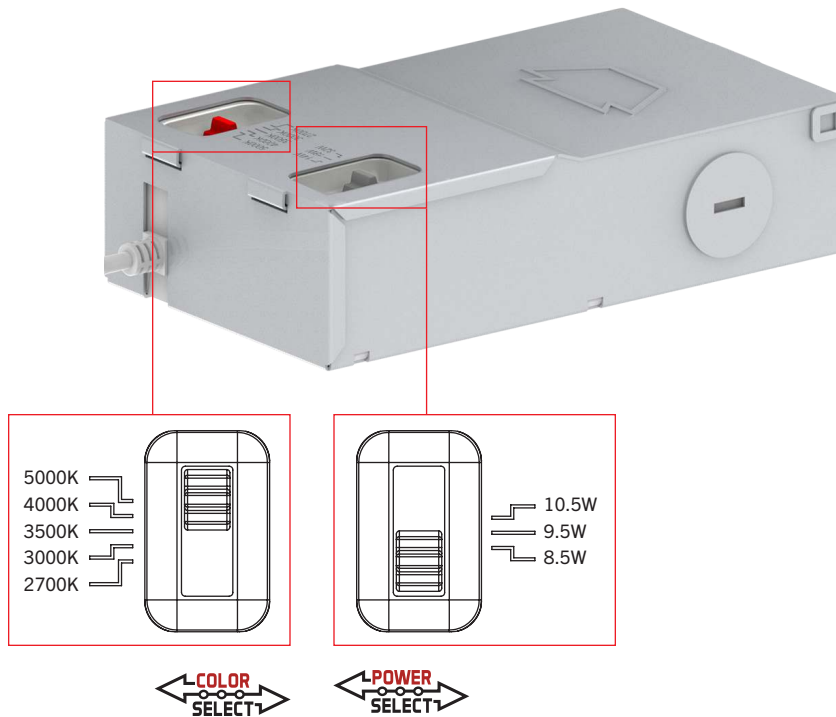
# KT-WDLED10.5PS-4B-9CSF-VDIM

## 4" LED RECESSED WAFER DOWNLIGHT

### POWER SELECT (WATTAGE) AND COLOR SELECT (CCT) ADJUSTMENT

This fixture is equipped with field-adjustable Keystone Power Select and Color Select technology.

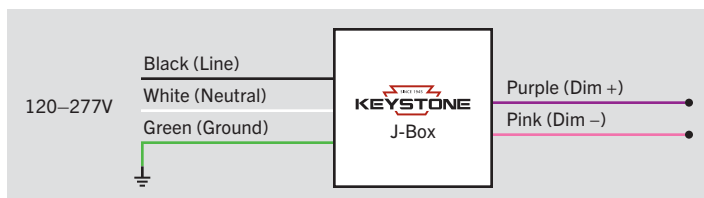
1. Ensure power is off to the fixture.
2. Adjust dip switches to desired settings.



**COLOR SELECT ADJUSTMENT SWITCH**  
 Set dip switch to adjust CCT between 2700K, 3000K, 3500K, 4000K, and 5000K. Fixture comes preset at 5000K.

**POWER SELECT ADJUSTMENT SWITCH**  
 Set dip switch to adjust wattage between 8.5W, 9.5W, and 10.5W. Fixture comes preset at 10.5W.

### WIRING DIAGRAM



# KT-WDLED10.5PS-4B-9CSF-VDIM

## 4" LED RECESSED WAFER DOWNLIGHT

### INSTALLATION INSTRUCTIONS

#### RETROFIT INSTALLATION

- 1. Shut off power at the source of the fixture housing into which you are installing fixture.**

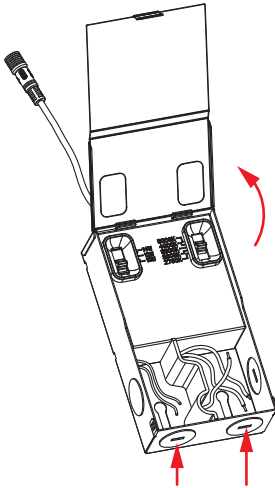
Remove existing trim, CFL or incandescent bulb.

**Note:** Follow all federal and local regulations when disposing of lamps and removed components.

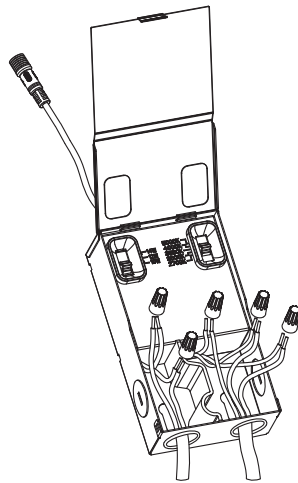
- 2. Measure ceiling opening to ensure that the edge of the luminaire will cover the entire opening and still sit firmly in the ceiling (see *Dimensions* on page 2).**

- 3. Select desired Wattage and CCT using adjustment switches on fixture (see *Power Select (Wattage) and Color Select (CCT) Adjustment* on page 3).**

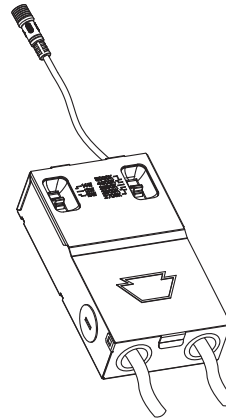
- 4. Open the driver box and remove the knockout(s) (KO).**



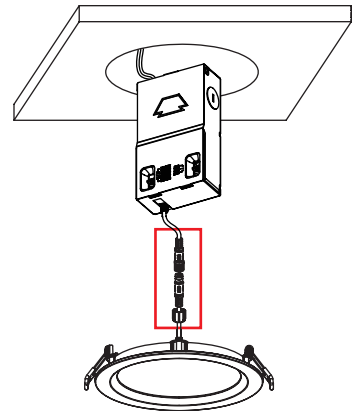
- 5. Insert the electrical supply cable through the KO; use appropriate bushing to prevent wire abrasion. Wire driver box (see *Wiring Diagram* on page 3 and illustration below).\***



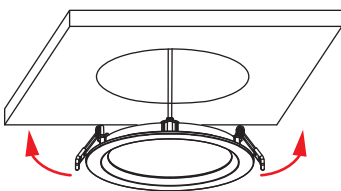
- 6. Place all wiring and connections back into the box and close the cover.**



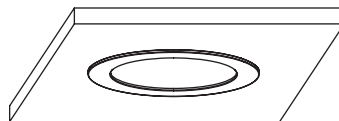
- 7. Insert driver box into ceiling in accordance with local/national codes and connect the male and female connectors. Screw threaded nut over connectors to secure.**



- 8. Lifting both retention tabs upward, push the fixture into the hole until trim sits flush with ceiling.**



- 9. Restore power when ready.**



\* Keystone offers an optional cable accessory to assist with wiring to existing fixture J-box. See KT-MC-NP-1-18/3, Optional Accessories (sold separately) on page 6.

(Installation Instructions continued on next page)

# KT-WDLED10.5PS-4B-9CSF-VDIM

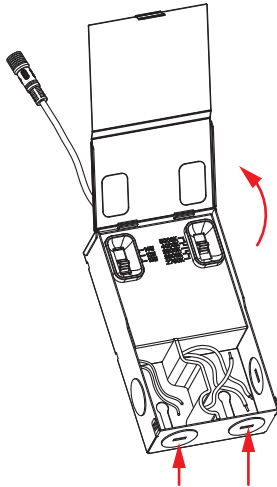
## 4" LED RECESSED WAFER DOWNLIGHT

### INSTALLATION INSTRUCTIONS (continued)

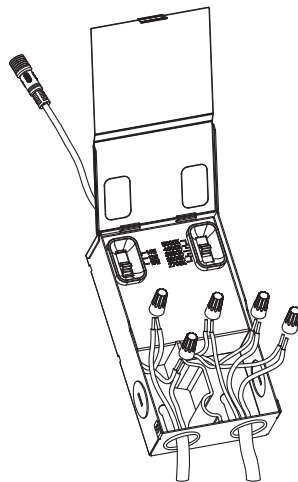
#### NEW-CONSTRUCTION INSTALLATION\*

1. Shut off power at the source of the fixture housing into which you are installing fixture.
2. Using installation hole template, create ceiling opening to ensure that the edge of the luminaire will cover the entire opening and still sit firmly in the ceiling (see *Dimensions* on page 2).
3. Select desired Wattage and CCT using adjustment switches on fixture (see *Power Select (Wattage) and Color Select (CCT) Adjustment* on page 3).

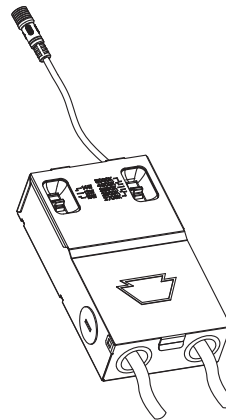
4. Open the driver box and remove the knockout(s) (KO).



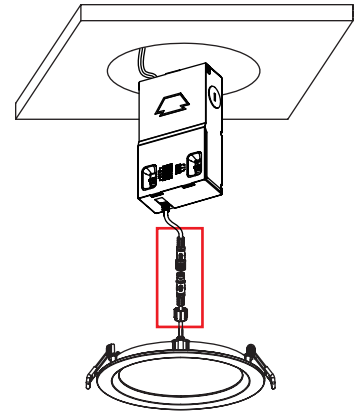
5. Insert the electrical supply cable through the KO; use appropriate bushing to prevent wire abrasion. Wire driver box (see *Wiring Diagram* on page 3 and illustration below).\*



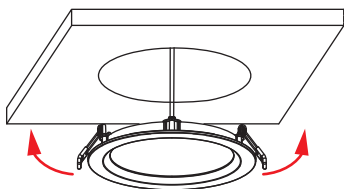
6. Place all wiring and connections back into the box and close the cover.



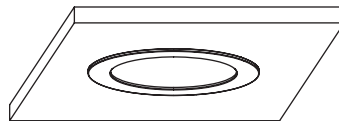
7. Insert driver box into ceiling in accordance with local/national codes and connect the male and female connectors. Screw threaded nut over connectors to secure.



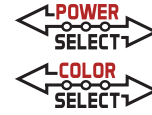
8. Lifting both retention tabs upward, push the fixture into the hole until trim sits flush with ceiling.



9. Restore power when ready.



\* Keystone offers an optional cable accessory to assist with wiring to existing fixture J-box. See KT-MC-NP-1-18/3, *Optional Accessories* (sold separately) on page 6.



# KT-WDLED10.5PS-4B-9CSF-VDIM

## 4" LED RECESSED WAFER DOWNLIGHT

**OPTIONAL ACCESSORIES** (sold separately)

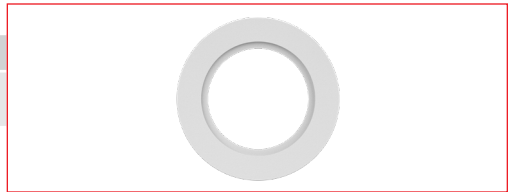
**INTERCHANGEABLE TRIM**

Catalog Number	Description	UPC	Easy Code
KT-WDLED-4B-MB-TRIM	4" Interchangeable Trim for 4B LED Recessed Wafer Downlight; Matte Black	843654139418	RQN-42
KT-WDLED-4B-BN-TRIM	4" Interchangeable Trim for 4B LED Recessed Wafer Downlight; Brushed Nickel	843654139449	IMX-16
KT-WDLED-4B-BR-TRIM	4" Interchangeable Trim for 4B LED Recessed Wafer Downlight; Bronze	843654139470	XXG-12



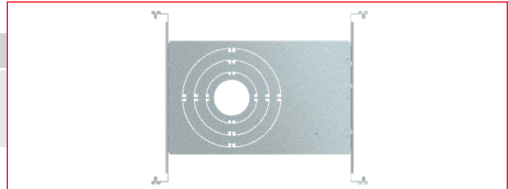
**GOOF RING**

Catalog Number	Description	UPC	Easy Code
KT-WDLED-4AB-GOOF	Goof Ring for 4A/4B LED Wafer Downlights; 6" outer diameter	843654139647	FRG-59



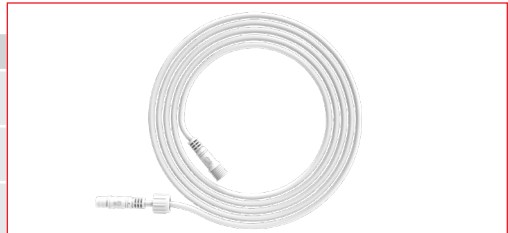
**NEW-CONSTRUCTION PLATE**

Catalog Number	Description	UPC	Easy Code
KT-WDLED-PLATE-2	New Construction Mounting Plate for all A and B LED Wafer Downlights for joist and T-grid installations	843654139791	FZT-71



**EXTENSION CABLES**

Catalog Number	Description	UPC	Easy Code
KT-WDLED-EC-6	6' Extension Cord for LED Wafer Downlights	843654139739	GOK-14
KT-WDLED-EC-12	12' Extension Cord for LED Wafer Downlights	843654139746	ECE-88
KT-WDLED-EC-20	20' Extension Cord for LED Wafer Downlights	843654139753	JLM-06



**METAL-CLAD CABLE**

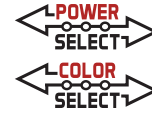
Catalog Number	Description	UPC	Easy Code
KT-MC-NP-1-18/3	Metal-Clad Cable for LED Recessed Downlights; No plug; UL 16AWG 18/3 wire (live, neutral, ground)	843654139777	AYT-71



**EMERGENCY PACK**

Catalog Number	Description	UPC	Easy Code
KT-EMRG-LED-5-500-AC /DF	LED Emergency Backup, 5W - 500 Lumen Constant Power Design. 120-277V Input. Dual Flex Cable Design. Installs on Primary Side of AC Powered LED load.	843654120843	DUE-53





# KT-WDLED10.5PS-4B-9CSF-VDIM

## 4" LED RECESSED WAFER DOWNLIGHT

### ORDERING INFORMATION

Catalog Number	Pack Qty.	UPC	Easy Code
KT-WDLED10.5PS-4B-9CSF-VDIM	1	843654139227	BVG-87

### CATALOG NUMBER BREAKDOWN

# KT-WDLED10.5PS-4B-9CSF-VDIM

1	2	3	4	5	6	7	8	9	10	11
<b>1</b> Keystone Technologies	<b>2</b> Fixture Type	<b>3</b> LED Technology	<b>4</b> Maximum Wattage	<b>5</b> Power Select Technology	<b>6</b> Size	<b>7</b> Style/Design Designation	<b>8</b> CRI	<b>9</b> Color Select Technology	<b>10</b> Color Select Designation	<b>11</b> Dimming
	WD Wafer Downlight				4 4" Nominal	B Series B	9 90	F 2700K, 3000K, 3500K, 4000K, 5000K	VDIM 0-10V Dimming	