

# KT-RHLEDXXXPS-1XC-8CSB-VDIM-X /G2

## ROUND LED HIGH BAY FIXTURE

### DESCRIPTION

Compact Round LED High Bay Fixture | Wet Location Rated

### APPLICATION

Used for commercial and industrial high bay lighting applications



**10 YEAR**  
LIMITED WARRANTY

### PRODUCT FEATURES

- Keystone Power Select technology. (see Performance Specifications for details)
- Features Keystone Color Select technology. Adjust CCT between 3000K, 4000K, or 5000K
- Sensor Receptacle designed to accept easy screw-in installation of optional sensors
- Powered by Keystone 0-10V dimming LED driver
- O-Bolt and J-Hook mounting accessories included
- 6' cord for input and dimming wires
- Powder-coated aluminum housing; Polycarbonate lens
- Ribbed lens to reduce glare
- Low optical flicker
- Built-in 6kV surge protection
- LED lifetime: L70 >100,000 hours @ 25°C fixture ambient
- Ambient operating temperature: -40°C/-40°F to 50°C/122°F
- IP65 rated, wet location

### PERFORMANCE SPECIFICATIONS OVERVIEW

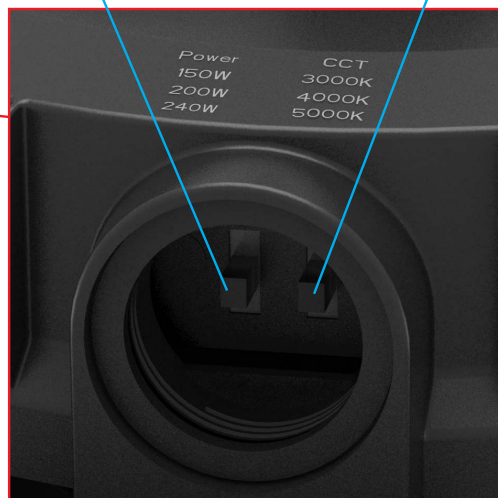
Catalog Number	Nominal Size	Wattage	CCT	Lumens	Efficacy	Input Voltage	Housing Color
KT-RHLED100PS-11C-8CSB-VDIM /G2	11" Circular	100/70/50W	3000K 4000K 5000K	14,480	140 lm/W	120-277V	Black or white finishes available
KT-RHLED150PS-11C-8CSB-VDIM /G2	11" Circular	150/100/70W		21,290	141 lm/W		
KT-RHLED200PS-12C-8CSB-VDIM /G2	12" Circular	200/150/100W		29,350	147 lm/W		
KT-RHLED240PS-13C-8CSB-VDIM /G2	13" Circular	240/200/150W		34,330	144 lm/W		

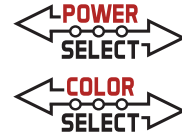
Note: Color uniformity: CCT (Correlated Color Temperature) range as per guidelines outlined in ANSI C78.377-2017

### POWER SELECTION AND COLOR TEMPERATURE SELECTION CAPABILITY

**KEYSTONE POWER SELECT TECHNOLOGY**  
Adjust power between 240W, 200W, or 150W

**KEYSTONE COLOR SELECT TECHNOLOGY**  
Adjust CCT between 3000K, 4000K, or 5000K





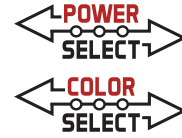
# KT-RHLEDXXXPS-1XC-8CSB-VDIM-X /G2

## ROUND LED HIGH BAY FIXTURE

### PERFORMANCE SPECIFICATIONS DETAILED

Catalog Number	Nominal Size	Wattage	CCT	Lumens	Efficacy	Input Voltage	Dimmable	CRI	Housing Color
KT-RHLED100PS-11C-8CSB-VDIM /G2 KT-RHLED100PS-11C-8CSB-VDIM-W /G2	11" Circular	100W	3000K	14,480	140 lm/W	120-277V	0-10V	> 80	Black or white finishes available
			4000K	16,230	164 lm/W				
			5000K	15,290	150 lm/W				
		70W	3000K	10,920	149 lm/W				
			4000K	12,050	169 lm/W				
			5000K	11,680	159 lm/W				
		50W	3000K	7,780	155 lm/W				
			4000K	8,430	171 lm/W				
			5000K	8,330	166 lm/W				
KT-RHLED150PS-11C-8CSB-VDIM /G2 KT-RHLED150PS-11C-8CSB-VDIM-W /G2	11" Circular	150W	3000K	21,290	141 lm/W	120-277V	0-10V	> 80	Black or white finishes available
			4000K	23,580	163 lm/W				
			5000K	22,490	150 lm/W				
		100W	3000K	14,740	154 lm/W				
			4000K	16,090	171 lm/W				
			5000K	15,810	165 lm/W				
		70W	3000K	11,030	159 lm/W				
			4000K	11,910	175 lm/W				
			5000K	11,850	171 lm/W				
KT-RHLED200PS-12C-8CSB-VDIM /G2 KT-RHLED200PS-12C-8CSB-VDIM-W /G2	12" Circular	200W	3000K	29,350	147 lm/W	120-277V	0-10V	> 80	Black or white finishes available
			4000K	32,330	168 lm/W				
			5000K	31,640	158 lm/W				
		150W	3000K	23,440	155 lm/W				
			4000K	25,350	173 lm/W				
			5000K	25,010	166 lm/W				
		100W	3000K	15,710	162 lm/W				
			4000K	16,660	178 lm/W				
			5000K	16,780	174 lm/W				
KT-RHLED240PS-13C-8CSB-VDIM /G2 KT-RHLED240PS-13C-8CSB-VDIM-W /G2	13" Circular	240W	3000K	34,330	144 lm/W	120-277V	0-10V	> 80	Black or white finishes available
			4000K	37,920	167 lm/W				
			5000K	37,010	156 lm/W				
		200W	3000K	30,400	148 lm/W				
			4000K	33,520	170 lm/W				
			5000K	32,920	161 lm/W				
		150W	3000K	24,960	155 lm/W				
			4000K	26,950	172 lm/W				
			5000K	26,920	167 lm/W				

Note: Color uniformity: CCT (Correlated Color Temperature) range as per guidelines outlined in ANSI C78.377-2017

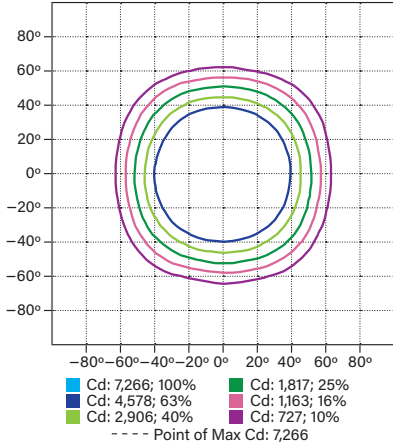


# KT-RHLEDXXXPS-1XC-8CSB-VDIM-X /G2

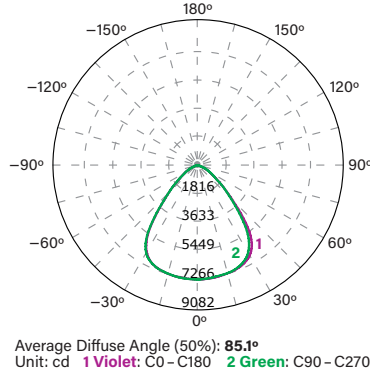
## ROUND LED HIGH BAY FIXTURE

### PHOTOMETRIC SPECIFICATIONS (KT-RHLED100PS-11C-8CSB-VDIM /G2, KT-RHLED100PS-11C-8CSB-VDIM-W /G2)

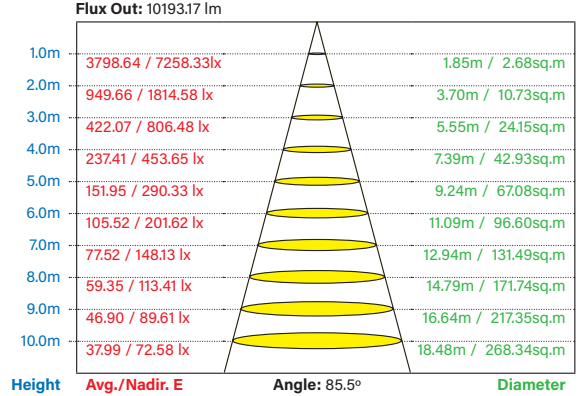
#### ISOCANDELA PLOT



#### POLAR CANDELA DISTRIBUTION

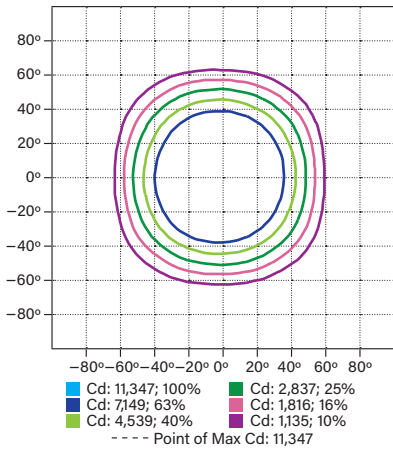


#### AVERAGE ILLUMINANCE EFFECTIVE FIGURE

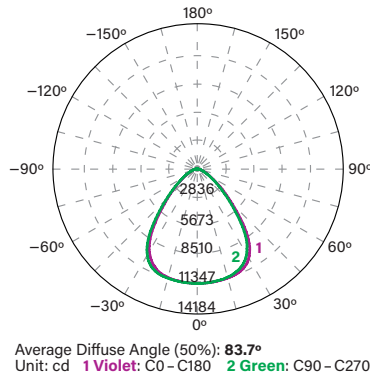


### PHOTOMETRIC SPECIFICATIONS (KT-RHLED150PS-11C-8CSB-VDIM /G2, KT-RHLED150PS-11C-8CSB-VDIM-W /G2)

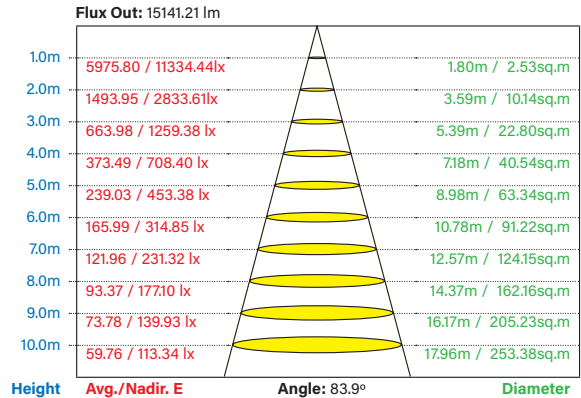
#### ISOCANDELA PLOT



#### POLAR CANDELA DISTRIBUTION

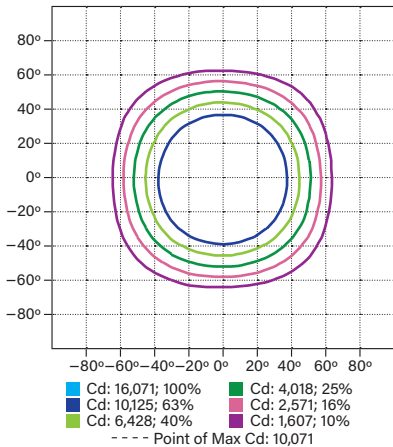


#### AVERAGE ILLUMINANCE EFFECTIVE FIGURE

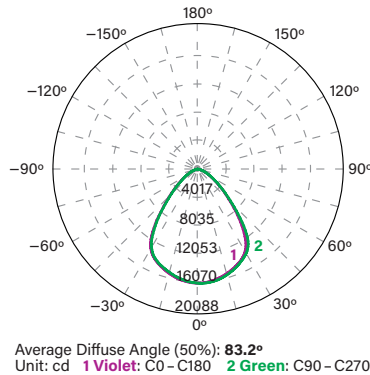


### PHOTOMETRIC SPECIFICATIONS (KT-RHLED200PS-12C-8CSB-VDIM /G2, KT-RHLED200PS-12C-8CSB-VDIM-W /G2)

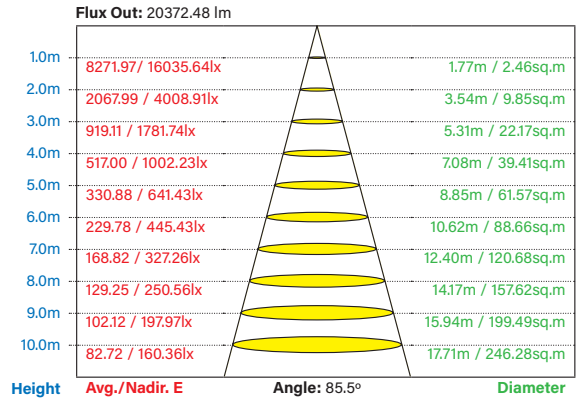
#### ISOCANDELA PLOT

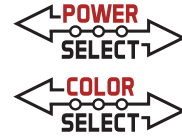


#### POLAR CANDELA DISTRIBUTION



#### AVERAGE ILLUMINANCE EFFECTIVE FIGURE



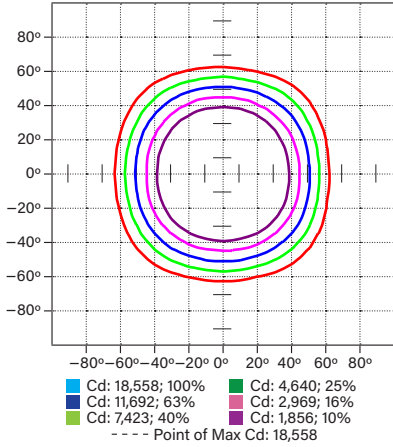


# KT-RHLEDXXXPS-1XC-8CSB-VDIM-X /G2

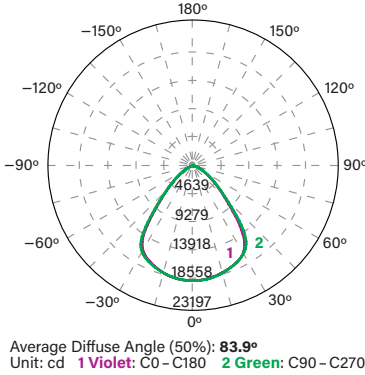
## ROUND LED HIGH BAY FIXTURE

### PHOTOMETRIC SPECIFICATIONS (KT-RHLED240PS-13C-8CSB-VDIM /G2, KT-RHLED240PS-13C-8CSB-VDIM-W /G2)

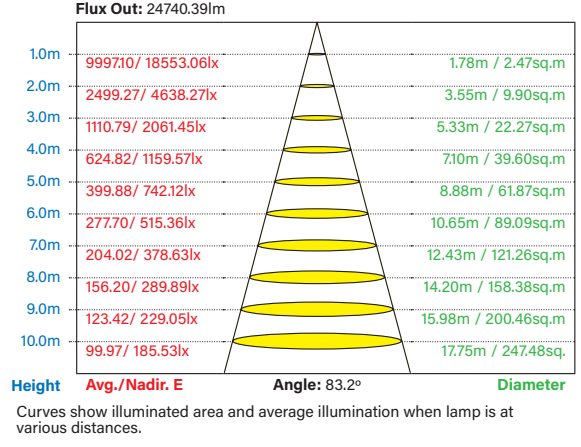
ISOCANDELA PLOT



POLAR CANDELA DISTRIBUTION



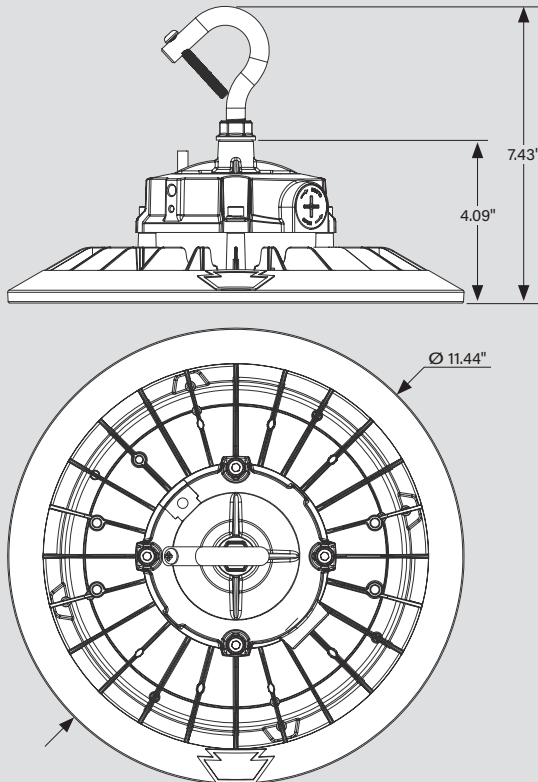
AVERAGE ILLUMINANCE EFFECTIVE FIGURE



### PHYSICAL SPECIFICATIONS

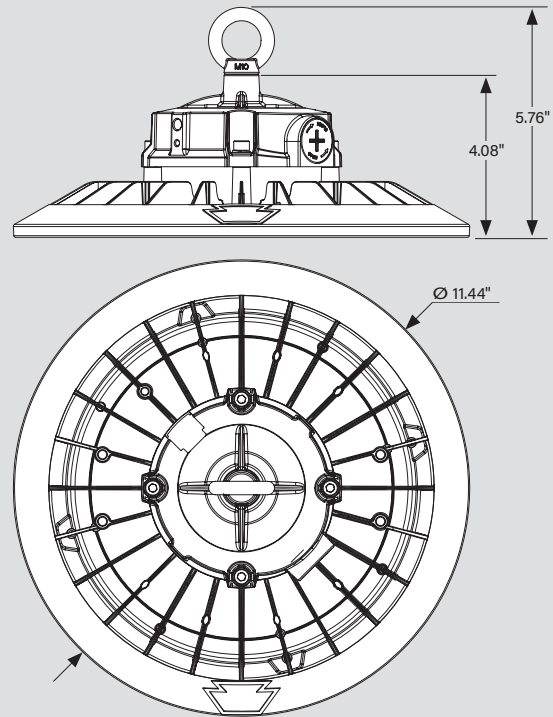
#### J-HOOK

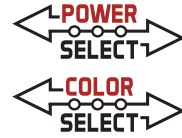
KT-RHLED100PS-11C-8CSB-VDIM-X /G2  
 KT-RHLED150PS-11C-8CSB-VDIM-X /G2



#### O-BOLT

KT-RHLED100PS-11C-8CSB-VDIM-X /G2  
 KT-RHLED150PS-11C-8CSB-VDIM-X /G2





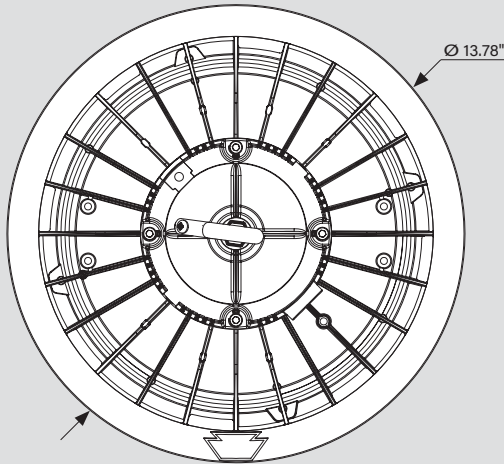
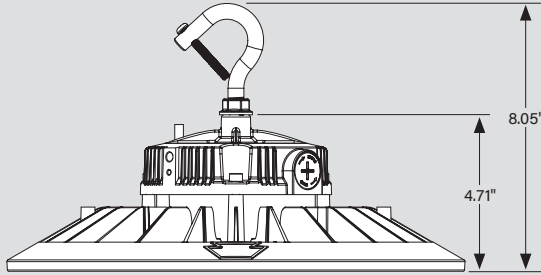
# KT-RHLEDXXXPS-1XC-8CSB-VDIM-X /G2

## ROUND LED HIGH BAY FIXTURE

### PHYSICAL SPECIFICATIONS

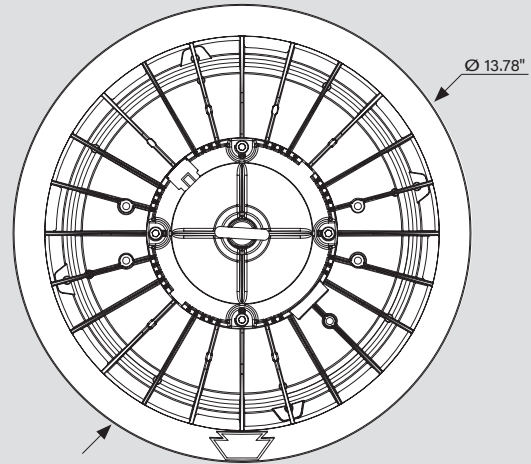
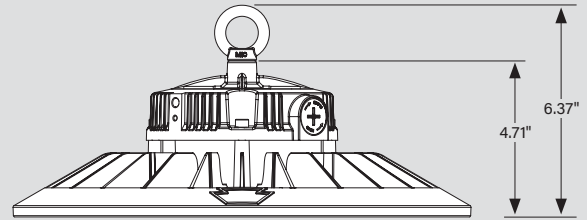
#### J-HOOK

KT-RHLED200PS-12C-8CSB-VDIM-X /G2  
 KT-RHLED240PS-13C-8CSB-VDIM-X /G2



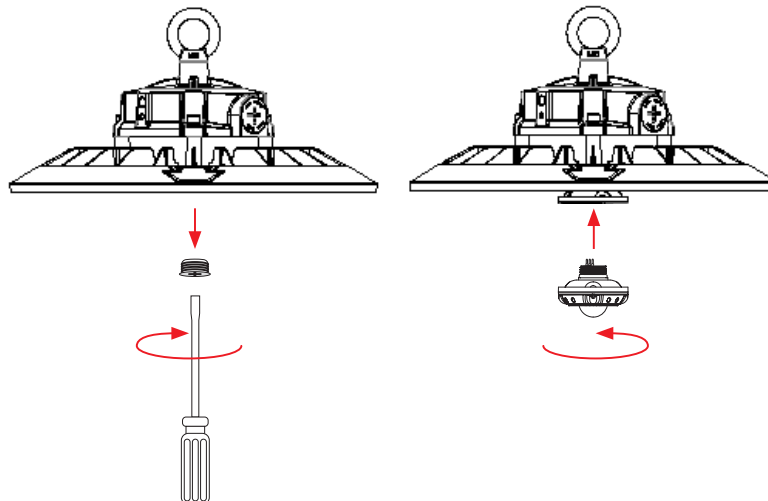
#### O-BOLT

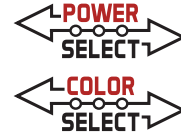
KT-RHLED200PS-12C-8CSB-VDIM-X /G2  
 KT-RHLED240PS-13C-8CSB-VDIM-X /G2



### QUICK-INSTALL

1. Ensure power is off to the fixture.
2. Remove 1/2" knock-out (KO) plug.
3. Screw in sensor head. (see illustrations)
4. Re-connect power when ready.
5. Program desired settings as needed with Keystone Remote Control.





# KT-RHLEDXXXPS-1XC-8CSB-VDIM-X /G2

## ROUND LED HIGH BAY FIXTURE

**ACCESSORIES (continued)**

**SENSORS**

**Factory-Installable OR Field-Installable** (field-installable purchased separately)

✓	SUFFIX*	CATALOG NUMBER	DESCRIPTION	UPC	EASY CODE
	/FC3**	KTSL-FC3-12V-PKO-PIR	Bluetooth mesh screw-in PIR occupancy sensor with built-in fixture controller for SmartLoop LLLC system	843654138862	OCW-60
	/FC4	KTSL-FC4-12V-PKO	Bluetooth mesh screw-in PIR occupancy sensor with built-in fixture controller for SmartLoop LLLC system	843654149066	RUN-10
	/PIR	KTS-PIR3-12V-PKO /G2	Screw-in PIR multifunction sensor, preset for 10 min hold time, ∞ min standby time at 50% dim, daylight	843654146447	GLF-99
	/MW3	KTS-MW3-12V-PKO	Screw-in microwave multifunction sensor, preset for 10 min hold time, ∞ min standby time at 50% dim, daylight disable	843654135212	TRM-32

\* For factory installation of accessory, add suffix to fixture part number (see ordering examples and instructions on last page of spec sheet).

\*\* When installing on Keystone highbay lights and an IP tight connection is desired, use the xxxx gasket provided with the sensor to ensure proper electrical connection and water tight seal. Hand tighten only.



**Field-Installable / Field-Use ONLY** (purchased separately)

CATALOG NUMBER	DESCRIPTION	UPC	EASY CODE
KTS-MW3-REMOTECONTROL	Remote control for KTS-MW3-12V-PKO and KTS-PIR3-12V-PKO sensors, used to set and adjust all sensor settings	843654132020	XSR-61

**CORD SETS & PLUGS**

**Factory-Installable OR Field-Installable** (field-installable purchased separately)

✓	SUFFIX*	CATALOG NUMBER	DESCRIPTION	UPC	EASY CODE
	/L515P	KT-P-L515P	125V NEMA L5-15P twist lock plug	843654123486	GEW-06
	/L615P	KT-P-L615P	250V NEMA L6-15P twist lock plug	843654138619	VPX-09
	/L715P	KT-P-L715P	277V NEMA L7-15P twist lock plug	843654123493	ETV-78

\* For factory installation of accessory, add suffix to fixture part number (see ordering examples and instructions on last page of spec sheet).

**Note:** For cord sets not listed here, please contact your Keystone sales rep.

**EMERGENCY BACKUP**

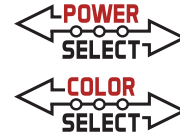
**Factory-Installable OR Field-Installable** (field-installable purchased separately)

✓	SUFFIX*	CATALOG NUMBER	DESCRIPTION	UPC	EASY CODE
	/EM	KT-EMRG-LED-40SD-5000-CEN /SF	One Piece 40W Constant Wattage Design with Self Diagnostics. Approx 5000 lumens, Single Flex Cable with Included J-Box, 120-277V Input. CEC T20 Compliant.	843654144320	UGW-62

\* For factory installation of accessory, add suffix to fixture part number (see ordering examples and instructions on last page of spec sheet).

† Factory installation of emergency backup units will automatically include any relevant mounting bracket.

(Accessories continued on next page)



# KT-RHLEDXXXPS-1XC-8CSB-VDIM-X /G2

## ROUND LED HIGH BAY FIXTURE

**ACCESSORIES (continued)**

**MOUNTS AND BRACKETS**

**Field-Installable / Field-Use ONLY (purchased separately)**

✓	SUFFIX*	CATALOG NUMBER	DESCRIPTION	UPC	EASY CODE
		KT-RHLED-JBOX-PM /G2	J-Box Optimized for Pole Pendant and Step-Down Transformer Applications.	843654133300	RAQ-94
		KT-RHLED-JBOX-PM-W /G2	J-Box Optimized for Pole Pendant and Step-Down Transformer Applications. White.	843654138756	IDT-59
		KT-RHLED-WG-1-KIT /G2	Wire guard kit for for 100W and 150W Color & Power Select G2 Round LED High Bay Fixtures; Includes mounting hardware.	843654133263	NPV-09
		KT-RHLED-WG-2-KIT /G2	Wire guard kit for for 200W and 240W Color & Power Select G2 Round LED High Bay Fixtures; Includes mounting hardware.	843654133270	PHU-26
		KT-RHLED-SM-1-KIT /G2	Surface Mount Kit for 100W and 150W Color & Power Select G2 Round LED High Bay Fixtures. Mounting Hardware Included.	843654133249	JXD-63
		KT-RHLED-SM-1-KIT-W /G2	Surface Mount Kit for 100W and 150W Color & Power Select G2 Round LED High Bay Fixtures. Mounting Hardware Included. White.	843654162850	XLA-73
		KT-RHLED-SM-2-KIT /G2	Surface Mount Kit for 200W and 240W Color & Power Select G2 Round LED High Bay Fixtures. Mounting Hardware Included.	843654133256	BLT-11
		KT-RHLED-SM-2-KIT-W /G2	Surface Mount Kit for 200W and 240W Color & Power Select G2 Round LED High Bay Fixtures. Mounting Hardware Included. White.	843654138763	UJS-44



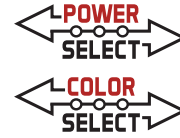
**STEP-DOWN TRANSFORMERS**

**Factory-Installable OR Field-Installable (field-installable purchased separately)**

✓	SUFFIX*	CATALOG NUMBER	DESCRIPTION	UPC	EASY CODE
	/480†	KTAT-250-480-277 /SF	Fully enclosed, single flex step-down transformer for LED high bay fixtures (250VA or lower)	843654102931	XIM-17



\* For factory installation of accessory, add suffix to fixture part number (see ordering examples and instructions on last page of spec sheet).  
 † Factory installation of step-down transformer units will automatically include any relevant mounting bracket.



# KT-RHLEDXXXPS-1XC-8CSB-VDIM-X /G2

## ROUND LED HIGH BAY FIXTURE

**LENSES**

**Field-Installable / Field-Use ONLY** (purchased separately)

<input checked="" type="checkbox"/>	SUFFIX*	CATALOG NUMBER	DESCRIPTION	UPC	EASY CODE
		KT-RHLED-AR90-1-KIT /G2	Aluminum Dome Reflector for 100W and 150W Color & Power Select G2 Round LED High Bay Fixtures; Includes mounting hardware.	843654133287	ZOV-89
		KT-RHLED-AR90-2-KIT /G2	Aluminum Dome Reflector for 200W and 240W Color & Power Select G2 Round LED High Bay Fixtures; Includes mounting hardware.	843654133294	GBN-40
		KT-RHLED-CL90-1-KIT /G2	Clear Polycarbonate Reflector for 100W and 150W Color & Power Select G2 Round LED High Bay Fixtures; Includes mounting hardware.	843654133614	FBZ-16
		KT-RHLED-CL90-2-KIT /G2	Clear Polycarbonate Reflector for 200W and 240W Color & Power Select G2 Round LED High Bay Fixtures; Includes mounting hardware.	843654133621	SFZ-16



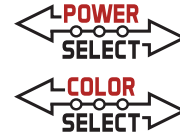
\* Screw in PIR sensors can not be used with KT-RHLED-CL90-2-KIT /G2

**ORDERING INFORMATION**

ORDER CODE	PACK QTY.	UPC	Easy Code
KT-RHLED100PS-11C-8CSB-VDIM /G2	1	843654160825	VZG-04
KT-RHLED100PS-11C-8CSB-VDIM-W /G2	1	843654160863	AKY-89
KT-RHLED150PS-11C-8CSB-VDIM /G2	1	843654160832	FXZ-79
KT-RHLED150PS-11C-8CSB-VDIM-W /G2	1	843654160870	HJX-98
KT-RHLED200PS-12C-8CSB-VDIM /G2	1	843654160849	ENH-80
KT-RHLED200PS-12C-8CSB-VDIM-W /G2	1	843654160887	FXR-90
KT-RHLED240PS-13C-8CSB-VDIM /G2	1	843654160856	CXC-07
KT-RHLED240PS-13C-8CSB-VDIM-W /G2	1	843654160894	PWY-88

*(Ordering Information continued on next page)*





# KT-RHLEDXXXPS-1XC-8CSB-VDIM-X /G2

## ROUND LED HIGH BAY FIXTURE

**CATALOG NUMBER BREAKDOWN**

# KT-RHLEDXXXPS-1XC-8CSB-VDIM-X /G2

<b>1</b>		<b>2</b>		<b>3</b>		<b>4</b>		<b>5</b>		<b>6</b>		<b>7</b>		<b>8</b>		<b>9</b>		<b>10</b>		<b>11</b>	
<b>1</b> Keystone Technologies		<b>2</b> Round Highbay LED Fixture		<b>3</b> Wattage		<b>4</b> Power Selectable		<b>5</b> Circular Nominal Size		<b>6</b> 80 CRI		<b>7</b> Color Selectable		<b>8</b> Color Select Designation		<b>9</b> 0-10V Dimming		<b>10</b> Housing Color		<b>11</b> 2nd Generation	
														<b>B</b> 3000K, 4000K, 5000K				<b>W</b>	Black	White	
														<b>5</b> Size / Shape							
														<b>11C</b> 11" Circular							
														<b>12C</b> 12" Circular							
														<b>13C</b> 13" Circular							

**ORDERING EXAMPLES**

FIXTURE WITH MULTIPLE FACTORY-INSTALLED ACCESSORIES\*

KT-RHLEDXXXPS-1XC-8CSB-VDIM-X /G2 /FC3/L515P/EM/WG/480

FIXTURE WITH MULTIPLE FACTORY-INSTALLED ACCESSORIES\*

KT-RHLEDXXXPS-1XC-8CSB-VDIM-X /G2 /FC3/EM/WG

FIXTURE WITH TWO FACTORY-INSTALLED ACCESSORIES\*

KT-RHLEDXXXPS-1XC-8CSB-VDIM-X /G2 /FC3/L515P

FIXTURE WITH SINGLE FACTORY-INSTALLED ACCESSORY

KT-RHLEDXXXPS-1XC-8CSB-VDIM-X /G2 /FC3

FIXTURE WITH NO FACTORY-INSTALLED ACCESSORIES

KT-RHLEDXXXPS-1XC-8CSB-VDIM-X /G2

\* When ordering more than one factory-installed accessory, use multiple suffixes as shown in the ordering examples above.  
 \*\* When installing on Keystone highbay lights and an IP tight connection is desired, use the xxxx gasket provided with the sensor to ensure proper electrical connection and water tight seal. Hand tighten only.  
**Note:** All accessories can also be ordered separately for field installation using just their regular Catalog Number, UPC, or Easy Code.

**KEYSTONE FIXTURE**

CATALOG NUMBER	
	KT-RHLEDXXXPS-1XC-8CSB-VDIM-X /G2

**SENSORS**

✓ SUFFIX	CATALOG NUMBER
✓ /FC3**	KTSL-FC3-12V-PKO-PIR

**CORD SETS**

✓ SUFFIX	CATALOG NUMBER
✓ /L515P	KT-P-L515P

**EMERGENCY BACKUP**

✓ SUFFIX	CATALOG NUMBER
✓ /EM	KT-EMRG-LED-40SD-5000-CEN /SF

**MOUNTS AND BRACKETS**

✓ SUFFIX	CATALOG NUMBER
✓ /WG	KT-RHLED-WG-2-KIT /G2

**STEP DOWN TRANSFORMER**

✓ SUFFIX	CATALOG NUMBER
✓ /480	KTAT-250-480-277 /SF