



# KT-RHLEDXXX-XXCB-8XX-VDIM

## ROUND LED HIGH BAY FIXTURE

### DESCRIPTION

Round LED High Bay Fixture | Wet Location Rated | Contractor Prime

### APPLICATION

Used for commercial and industrial High Bay lighting applications



### PRODUCT FEATURES

- Extra compact design offers an optimal blend of performance, key features, and value
- Designed to accept easy screw-in installation of optional sensors
- Powered by Keystone 0–10V dimming LED driver
- Ring-bolt mounting accessory included
- 6' cord for input and dimming wires
- Powder-coated aluminum housing; Polycarbonate lens
- Ribbed lens to reduce glare
- Built-in 4kV surge protection
- LED lifetime: L70 >100,000 hours @ 25°C fixture ambient
- Ambient operating temperature: –40°C/–40°F to 50°C/122°F
- IP65 rated, wet location

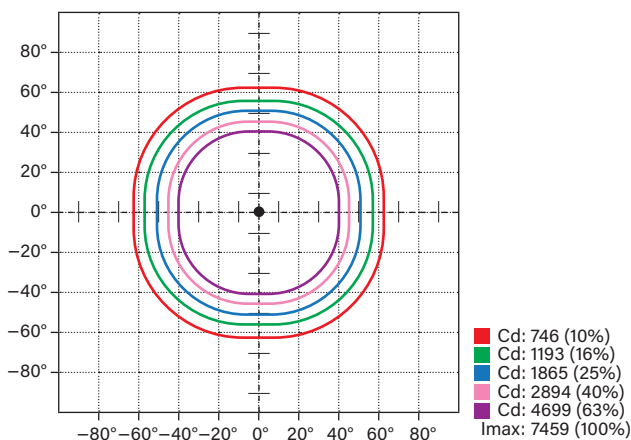
### PERFORMANCE SPECIFICATIONS

Catalog Number	Nominal Size	Wattage	CCT	Lumens	Efficacy	Input Voltage	Dimmable	CRI	Housing Color
KT-RHLED100-11CB-840-VDIM	11" circular	100W	4000K	14700	147 lm/W	120-277V	0-10V	> 80	Black
KT-RHLED100-11CB-850-VDIM			5000K	14900	149 lm/w				
KT-RHLED150-11CB-840-VDIM	11" circular	150W	4000K	22200	148 lm/W				
KT-RHLED150-11CB-850-VDIM			5000K	22600	150 lm/W				
KT-RHLED200-12CB-840-VDIM	12" circular	200W	4000K	29400	147 lm/W				
KT-RHLED200-12CB-850-VDIM			5000K	30000	150 lm/W				
KT-RHLED240-13CB-840-VDIM	13" circular	240W	4000K	35280	147 lm/W				
KT-RHLED240-13CB-850-VDIM			5000K	36000	150 lm/W				

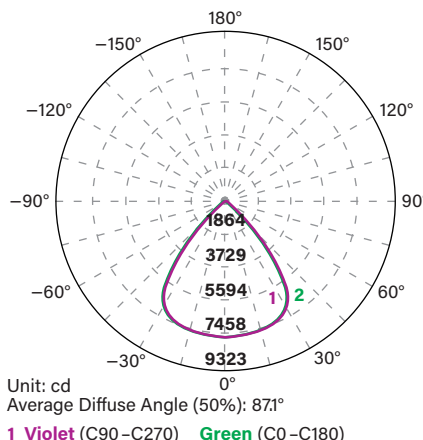
Note: Color uniformity: CCT (Correlated Color Temperature) range as per guidelines outlined in ANSI C78.377-2017

### PHOTOMETRIC SPECIFICATIONS (KT-RHLED100-11CB-8XX-VDIM)

#### ISOCANDELA PLOT



#### LUMINOUS INTENSITY DISTRIBUTION CURVE



#### ZONAL LUMEN SUMMARY

Zone	Lumens	% Luminaire
<b>Forward Light</b>	<b>7161</b>	<b>48.3</b>
FL (0°–30°)	3022	20.4
FM (30°–60°)	3740	25.2
FH (60°–80°)	386	2.6
FVH (80°–90°)	13	0.1
<b>Back Light</b>	<b>7548</b>	<b>50.9</b>
BL (0°–30°)	3062	20.6
BM (30°–60°)	4044	27.3
BH (60°–80°)	426	2.9
BVH (80°–90°)	15	0.1
<b>Up Light</b>	<b>125</b>	<b>0.8</b>
UL 90°–100°	3	0.0
UL 100°–180°	122	0.8

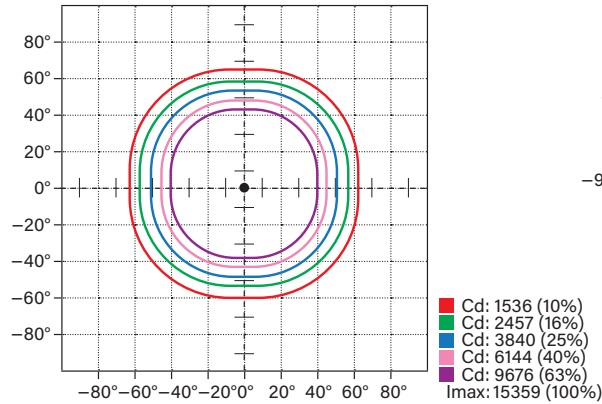


# KT-RHLEDXXX-XXCB-8XX-VDIM

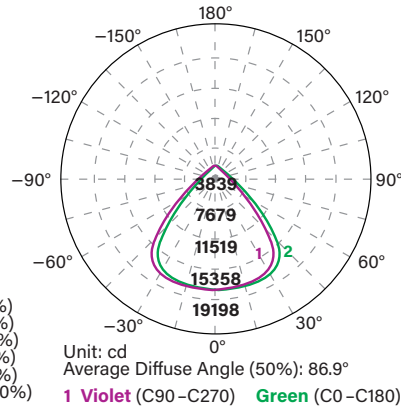
## ROUND LED HIGH BAY FIXTURE

### PHOTOMETRIC SPECIFICATIONS (KT-RHLED150-11CB-8XX-VDIM)

ISOCANDELA PLOT



LUMINOUS INTENSITY DISTRIBUTION CURVE

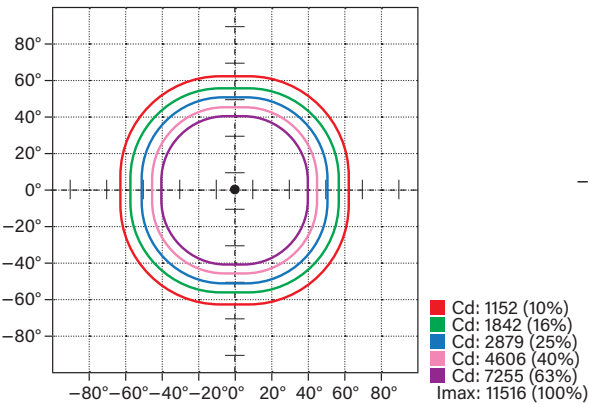


ZONAL LUMEN SUMMARY

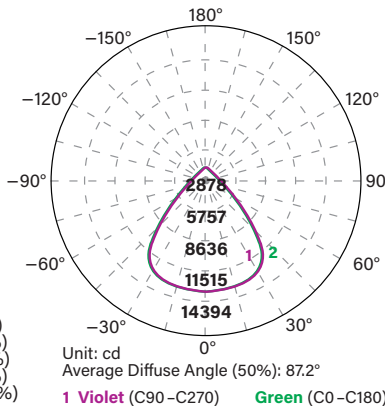
Zone	Lumens	% Luminaire
Forward Light	14439	47.0
FL (0°-30°)	6248	20.3
FM (30°-60°)	7430	24.2
FH (60°-80°)	742	2.4
FVH (80°-90°)	19	0.1
Back Light	16028	52.2
BL (0°-30°)	6380	20.8
BM (30°-60°)	8685	28.3
BH (60°-80°)	934	3.0
BVH (80°-90°)	29	0.1
Up Light	253	0.8
UL 90°-100°	5	0.0
UH 100°-180°	248	0.8

### PHOTOMETRIC SPECIFICATIONS (KT-RHLED200-12CB-8XX-VDIM)

ISOCANDELA PLOT



LUMINOUS INTENSITY DISTRIBUTION CURVE

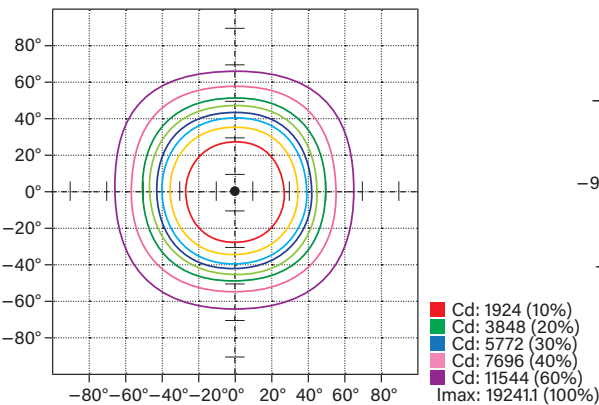


ZONAL LUMEN SUMMARY

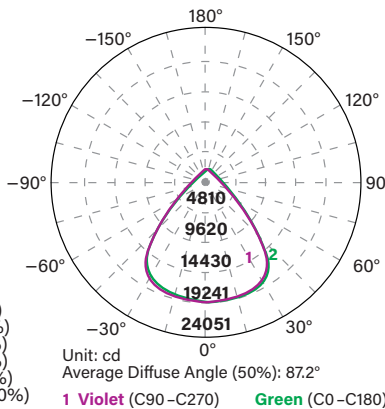
Zone	Lumens	% Luminaire
Forward Light	11354	49.4
FL (0°-30°)	4747	20.7
FM (30°-60°)	5975	26.0
FH (60°-80°)	614	2.7
FVH (80°-90°)	18	0.1
Back Light	11424	49.7
BL (0°-30°)	4725	20.6
BM (30°-60°)	6039	26.3
BH (60°-80°)	639	2.8
BVH (80°-90°)	22	0.1
Up Light	194	0.8
UL 90°-100°	5	0.0
UH 100°-180°	190	0.8

### PHOTOMETRIC SPECIFICATIONS (KT-RHLED240-13CB-8XX-VDIM)

ISOCANDELA PLOT



LUMINOUS INTENSITY DISTRIBUTION CURVE



ZONAL LUMEN SUMMARY

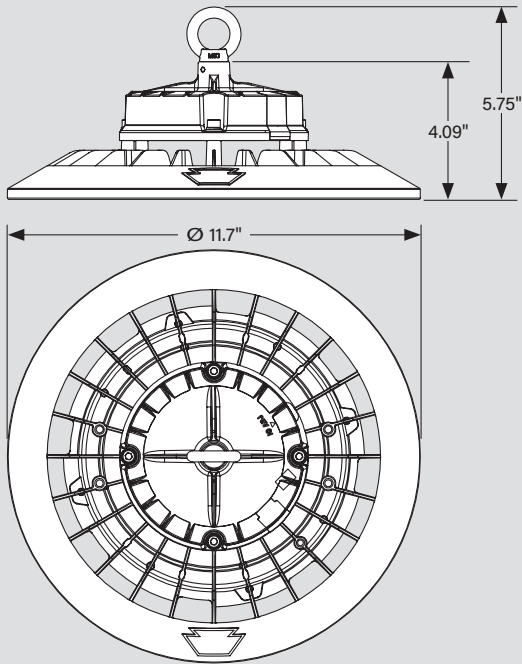
Zone	Lumens	% Luminaire
Forward Light	17827	49.8
FL (0°-30°)	7594	21.2
FM (30°-60°)	8905	24.9
FH (60°-80°)	1250	3.5
FVH (80°-90°)	79	0.2
Back Light	17888	49.9
BL (0°-30°)	7691	21.5
BM (30°-60°)	8918	24.9
BH (60°-80°)	1210	3.4
BVH (80°-90°)	69	0.2
Up Light	113	0.3
UL 90°-100°	8	0.0
UH 100°-180°	105	0.3

# KT-RHLEDXXX-XXCB-8XX-VDIM

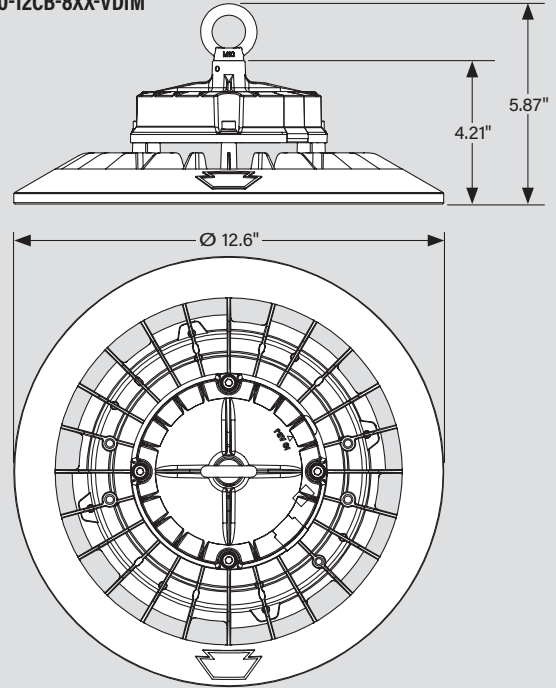
## ROUND LED HIGH BAY FIXTURE

### PHYSICAL SPECIFICATIONS

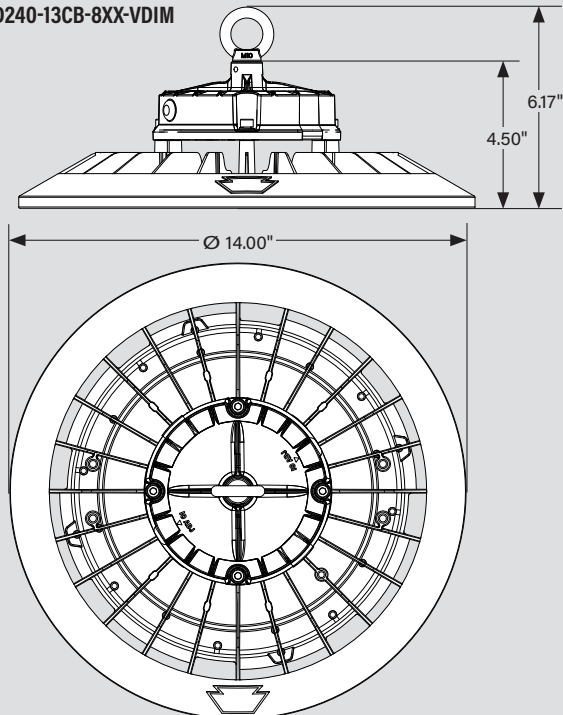
KT-RHLED100-11CB-8XX-VDIM / KT-RHLED150-11CB-8XX-VDIM



KT-RHLED200-12CB-8XX-VDIM



KT-RHLED240-13CB-8XX-VDIM







# KT-RHLEDXXX-XXCB-8XX-VDIM

## ROUND LED HIGH BAY FIXTURE

**ACCESSORIES**

**SENSORS**

**Factory-Installable OR Field-Installable (field-installable purchased separately)**

✓	SUFFIX*	CATALOG NUMBER	DESCRIPTION	UPC	EASY CODE
	/FC3**	KTSL-FC3-12V-PKO-PIR	Bluetooth mesh wireless screw-in low voltage PIR sensor and fixture controller for SmartLoop system 	843654138862	OCW-60
	/FC4	KTSL-FC4-12V-PKO	Bluetooth mesh wireless screw-in low voltage fixture controller for SmartLoop system 	843654149066	RUN-10
	/PIR3	KTS-PIR3-12V-PKO /G2	Screw-in PIR sensor for roundhigh bays; Adjustable settings via remote control	843654146447	GLF-99
	/MW3-A	KTS-MW3-12V-PKO /A	Screw-in microwave sensor for round high bays; Preset for 1 min hold time, 3 min standby time at 30% dim, daylight disabled	843654133317	XYR-25
	/MW3-B	KTS-MW3-12V-PKO /B	Screw-in microwave sensor for round high bays; Preset for 5 min hold time, 10 min standby time at 10% dim, daylight disabled	843654133324	SPF-37



\* For factory installation of accessory, add suffix to fixture part number (see ordering examples and instructions on last page of spec sheet).  
 \*\* When installing on Keystone highbay lights and an IP tight connection is desired, use the xxxx gasket provided with the sensor to ensure proper electrical connection and water tight seal. Hand tighten only.

**Field-Installable / Field-Use ONLY (purchased separately)**

	CATALOG NUMBER	DESCRIPTION	UPC	EASY CODE
	KTS-MW3-REMOTECONTROL	Remote control for KTS-MW3-12V-PKO /A or /B and KTS-PIR3-12V-PKO /G2 sensors. Used to set and adjust all sensor settings	843654132020	XSR-61



**CORD SETS & PLUGS**

**Factory-Installable OR Field-Installable (field-installable purchased separately)**

✓	SUFFIX*	CATALOG NUMBER	DESCRIPTION	UPC	EASY CODE
	/L515P	KT-P-L515P	125V NEMA L5-15P Twist Lock Plug	843654123486	GEW-06
	/L615P	KT-P-L615P	250V NEMA L6-15P Twist Lock Plug	843654138619	VPX-09
	/L715P	KT-P-L715P	277V NEMA L7-15P Twist Lock Plug	843654123493	ETV-78

**EMERGENCY BACKUP**

**Factory-Installable OR Field-Installable (field-installable purchased separately)**

✓	SUFFIX*	CATALOG NUMBER	DESCRIPTION	UPC	EASY CODE
	/EM†	KT-EMRG-LED-40SD-5000-CEN /SF	One piece, 40W constant wattage design with self diagnostics; Approx 5000 lumens; single flex cable with included J-Box; 120-277V input; CEC T20 Compliant.	843654144320	UGW-62

\* For factory installation of accessory, add suffix to fixture part number (see ordering examples and instructions on last page of spec sheet).  
 † Factory installation of emergency backup units will automatically include any relevant mounting bracket.

(Accessories continued on next page)

# KT-RHLEDXXX-XXCB-8XX-VDIM

## ROUND LED HIGH BAY FIXTURE

**ACCESSORIES (continued)**

**MOUNTS AND BRACKETS**

**Field-Installable / Field-Use ONLY** (purchased separately)

✓	SUFFIX*	CATALOG NUMBER	DESCRIPTION	UPC	EASY CODE
		KT-RHLED-JBOX-PM /G2	J-Box Optimized for Pole Pendant and Step-Down Transformer Applications	843654133300	RAQ-94
		KT-RHLED-WG-1-KIT /G2	Wire guard kit for for 100W, 150W, 200W Contractor Prime Round LED High Bay Fixtures; Includes mounting hardware.	843654133263	NPV-09
		KT-RHLED-WG-2-KIT /G2	Wire guard kit for 240W Contractor Prime Round LED High Bay Fixtures; Includes mounting hardware.	843654133270	PHU-26
		KT-RHLED-SM-1-KIT-W /G2	Surface Mount Kit for 100W, 150W, 200W Contractor Prime Round LED High Bay Fixtures. Mounting Hardware Included.	843654133249	JXD-63
		KT-RHLED-SM-2-KIT-W /G2	Surface Mount Kit for 240W Contractor Prime Round LED High Bay Fixtures. Mounting Hardware Included.	843654138763	UJS-44



**STEP-DOWN TRANSFORMERS**

**Factory-Installable OR Field-Installable** (field-installable purchased separately)

✓	SUFFIX*	CATALOG NUMBER	DESCRIPTION	UPC	EASY CODE
	/480†	KTAT-250-480-277 /SF	Fully enclosed, single flex step-down transformer for LED high bay fixtures (250VA or lower)	843654102931	XIM-17



\* For factory installation of accessory, add suffix to fixture part number (see ordering examples and instructions on last page of spec sheet).  
† Factory installation of step-down transformer units will automatically include any relevant mounting bracket.

**LENSES**

**Field-Installable / Field-Use ONLY** (purchased separately)

✓	SUFFIX*	CATALOG NUMBER	DESCRIPTION	UPC	EASY CODE
		KT-RHLED-AR90-1-KIT /G2	Aluminum Dome Reflector for 100W, 150W, 200W Contractor Prime Round LED High Bay Fixtures; Includes mounting hardware.	843654133287	ZOV-89
		KT-RHLED-AR90-2-KIT /G2	Aluminum Dome Reflector for 240W Contractor Prime Round LED High Bay Fixtures; Includes mounting hardware.	843654133294	GBN-40
		KT-RHLED-CL90-1-KIT /G2	Clear Polycarbonate Reflector for 100W, 150W, 200W Contractor Prime Round LED High Bay Fixtures; Includes mounting hardware.	843654133614	FVZ-16
		KT-RHLED-CL90-2-KIT /G2	Clear Polycarbonate Reflector for 240W Contractor Prime Round LED High Bay Fixtures; Includes mounting hardware.	843654133621	SFZ-16



\* Screw in PIR sensors can not be used with KT-RHLED-CL90-2-KIT /G2



# KT-RHLEDXXX-XXCB-8XX-VDIM

## ROUND LED HIGH BAY FIXTURE

### FIXTURE ORDERING INFORMATION

ORDER CODE	PACK QTY.	UPC	Easy Code	DLC PRODUCT ID
KT-RHLED100-11CB-840-VDIM	1	843654152073	IMC-56	S-B9PA5D
KT-RHLED100-11CB-850-VDIM		843654152080	AYJ-23	S-FMEPIO
KT-RHLED150-11CB-840-VDIM		843654152097	GDH-12	S-QCV6TI
KT-RHLED150-11CB-850-VDIM		843654152103	YIA-71	S-Y80ULG
KT-RHLED200-12CB-840-VDIM		843654152110	YIJ-22	S-6QFJ8N
KT-RHLED200-12CB-850-VDIM		843654152127	LMX-02	S-AT7MP2
KT-RHLED240-13CB-840-VDIM		843654160900	NZL-41	TBD
KT-RHLED240-13CB-850-VDIM		843654160917	THD-22	TBD

### FIXTURE CATALOG NUMBER BREAKDOWN

# KT-RHLEDXXX-XXCB-8XX-VDIM

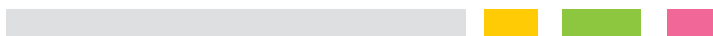
1
2
3
4
5
6
7
8
9

- |   |  |
|---|--|
| <p><b>1</b> Keystone Technologies</p> <p><b>2</b> Round High Bay Fixture</p> <p><b>3</b> LED Technology</p> <p><b>4</b> Wattage</p> <p><b>5</b> Circular Nominal Size</p> | <p><b>6</b> Style Designation</p> <p><b>7</b> 80 CRI</p> <p><b>8</b> Color Temperature</p> <p><b>9</b> 0-10V Dimming</p> |
|---|--|

### ORDERING EXAMPLES

FIXTURE WITH MULTIPLE FACTORY-INSTALLED ACCESSORIES\*

**KT-RHLED100-11CB-850-VDIM/FC3/L515P/EM**



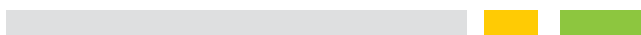
FIXTURE WITH MULTIPLE FACTORY-INSTALLED ACCESSORIES\*

**KT-RHLED100-11CB-850-VDIM/FC3/L515P/480**



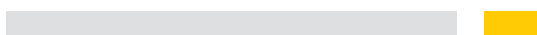
FIXTURE WITH TWO FACTORY-INSTALLED ACCESSORIES\*

**KT-RHLED100-11CB-850-VDIM/FC3/L515P**



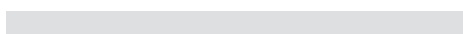
FIXTURE WITH SINGLE FACTORY-INSTALLED ACCESSORY

**KT-RHLED100-11CB-850-VDIM/FC3**



FIXTURE WITH NO FACTORY-INSTALLED ACCESSORIES

**KT-RHLED100-11CB-850-VDIM**



\* When ordering more than one factory-installed accessory, use multiple suffixes as shown in the ordering examples above.  
**Note:** All accessories can also be ordered separately for field installation using just their regular Catalog Number, UPC, or Easy Code.

#### KEYSTONE FIXTURE

CATALOG NUMBER
KT-RHLED100-11CB-850-VDIM

#### SENSORS

<input checked="" type="checkbox"/> SUFFIX	CATALOG NUMBER
/FC3	KTSL-FC3-12V-PKO-PIR

#### CORD SETS & PLUGS

<input checked="" type="checkbox"/> SUFFIX	CATALOG NUMBER
/L515P	KT-P-L515P

#### EMERGENCY BACKUP

<input checked="" type="checkbox"/> SUFFIX	CATALOG NUMBER
/EM	KT-EMRG-LED-40SD-5000-CEN /SF

**Note:** Emergency backup cannot be ordered in conjunction with step-down transformer KTAT-250-480-277 /SF or field-installable KT-RHLED-JBOX-PM /G2.

#### STEP-DOWN TRANSFORMERS

<input checked="" type="checkbox"/> SUFFIX	CATALOG NUMBER
/480	KTAT-250-480-277 /SF

**Note:** Step-down transformer cannot be ordered in conjunction with emergency backup KT-EMRG-LED-40SD-5000-CEN /SF.