

**KT-RDLED23-8B-9CSF-FDIM**  
8" LED RECESSED DOWNLIGHT

**DESCRIPTION**

8" LED Recessed Downlight |  
Color Select Technology |  
Remote Driver with Built-in Junction Box

**APPLICATION**

Ideal for residential, hospitality, retail, office, and other retrofit and new construction applications



**10 YEAR LIMITED WARRANTY**



**PRODUCT FEATURES**

- Keystone Color Select technologies offers SKU reduction and allows for easy, on-the-job adjustments
- Utilizes a remote driver with built-in junction box and quick disconnect; Eliminates the need for a traditional, multi-piece fixture setup
- CEC Compliant Flicker Rate (CEC JA10 std.)
- Ideal for new construction, remodel, and retrofit applications
- Frosted lens provides even illumination
- Interchangeable trims available in matte black, brushed nickel, and bronze
- Powered by Keystone TRIAC dimming LED driver, 10–100% dimming
- Ambient operating temperature: –30°C/–22°F to 40°C/104°F
- Suitable for use in wet locations
- Airtight and Type IC-rated
- Power factor: >0.90
- THD: <20%
- LED chip lifetime: L70 >80,000 hrs @ 25°C/77°F ambient fixture temp
- FCC Part 15, Subpart B, Class B

**PERFORMANCE SPECIFICATIONS**

Catalog Number	Input Voltage	Wattage	CCT (Selectable)*	Lumen Output	Efficacy	CRI	Power Factor	Beam Angle	Lifetime
KT-RDLED23-8B-9CSF-FDIM	120V	23W	2700K	1,950	85 lm/W	>90	>0.9	85°	50,000 hrs
			3000K	1,980	86 lm/W				
			3500K	2,010	87 lm/W				
			4000K	2,010	87 lm/W				
			5000K	1,980	86 lm/W				

\*Preset to 3000K

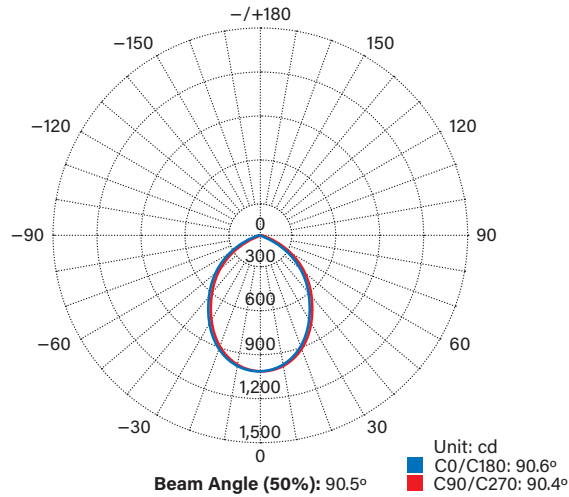
Color Uniformity: CCT (Correlated Color Temperature) range as per guidelines outlined in ANSI C78.377-2017

# KT-RDLED23-8B-9CSF-FDIM

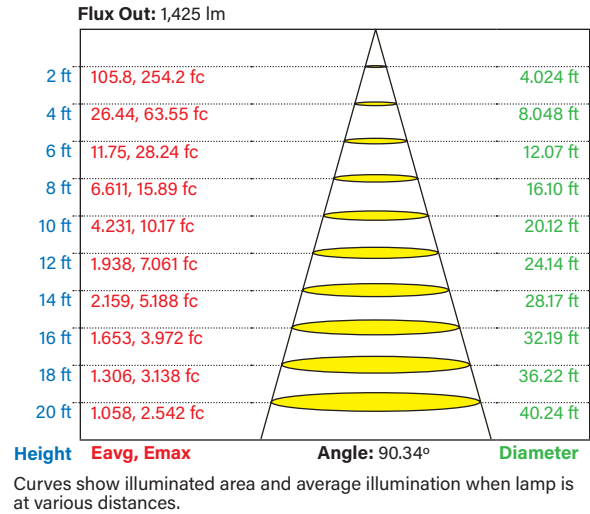
## 8" LED RECESSED DOWNLIGHT

### PHOTOMETRIC SPECIFICATIONS

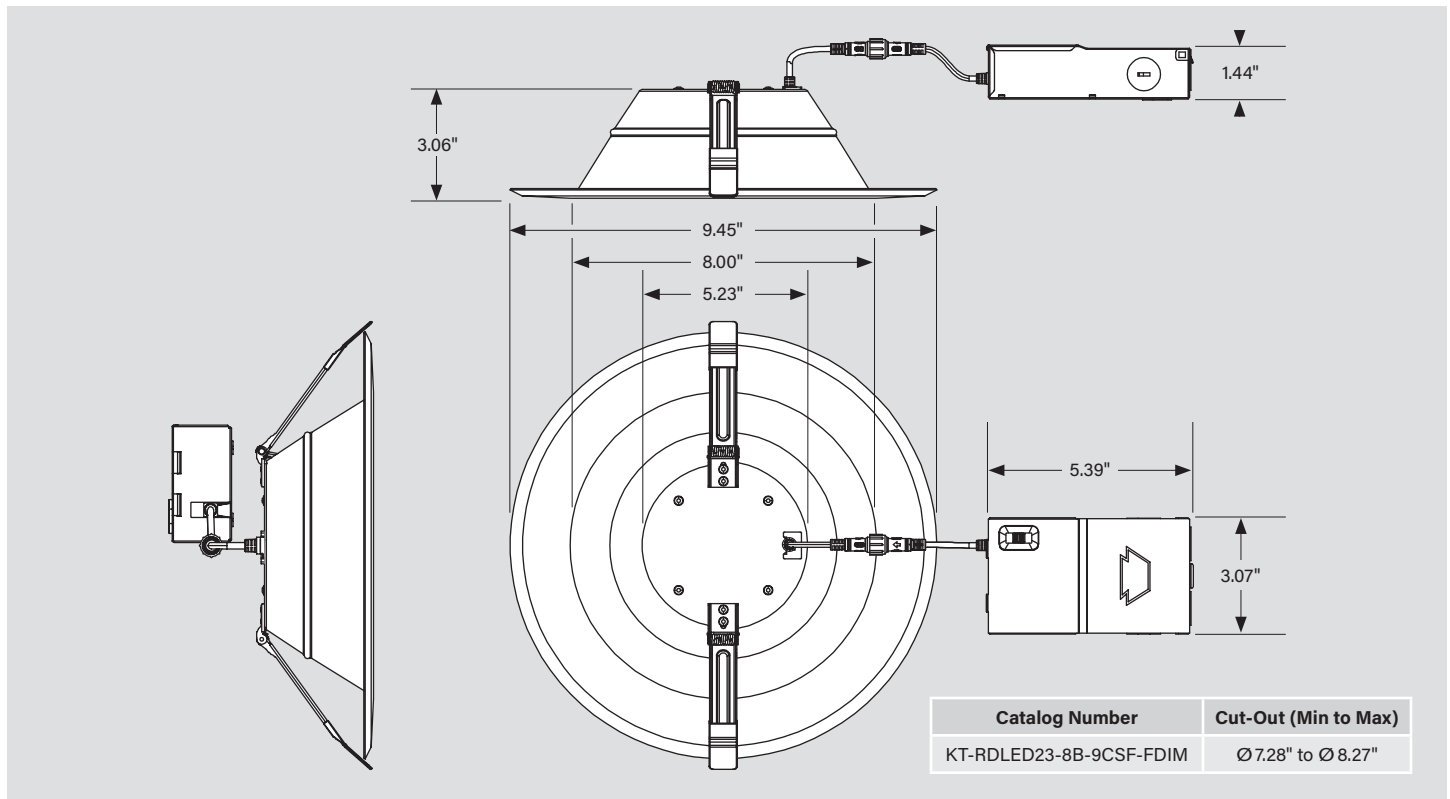
#### POLAR CANDELA DISTRIBUTION



#### LUX DISTANCE CURVE



### PHYSICAL SPECIFICATIONS



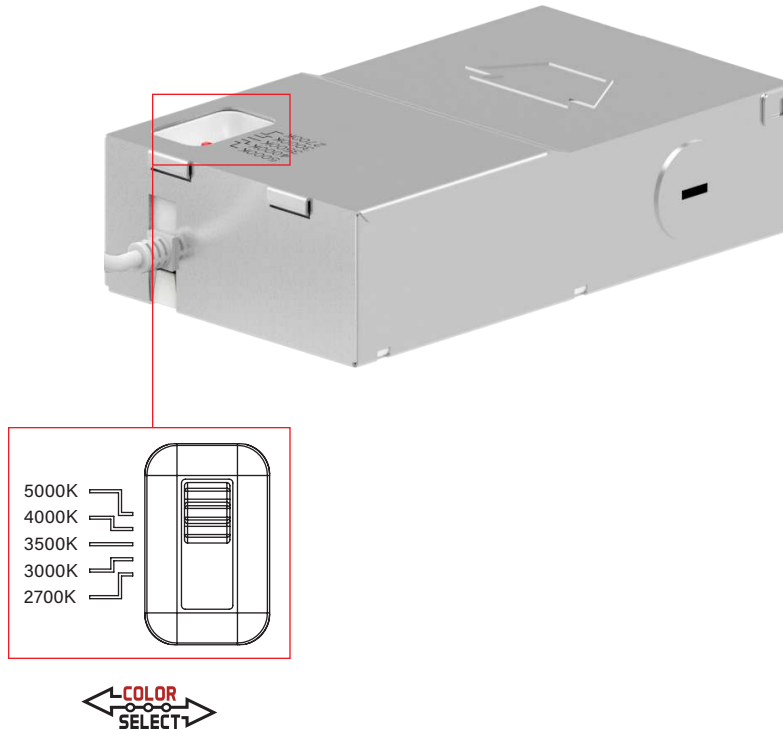
# KT-RDLED23-8B-9CSF-FDIM

## 8" LED RECESSED DOWNLIGHT

### COLOR SELECT (CCT) ADJUSTMENT

This fixture is equipped with field-adjustable Keystone Color Select technology.

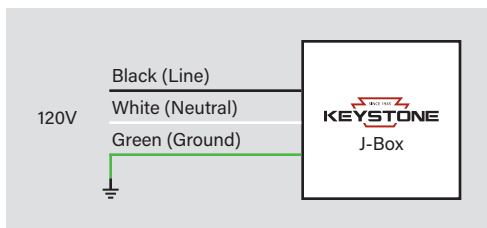
1. Ensure power is off to the fixture.
2. Adjust dip switch to desired setting.



### COLOR SELECT ADJUSTMENT SWITCH

Set dip switch to adjust CCT between 2700K, 3000K, 3500K, 4000K, and 5000K. Fixture comes preset at 3000K.

### WIRING DIAGRAM



# KT-RDLED23-8B-9CSF-FDIM

## 8" LED RECESSED DOWNLIGHT

### INSTALLATION INSTRUCTIONS

#### RETROFIT INSTALLATION

- 1. Shut off power at the source of the fixture housing into which you are installing fixture.**

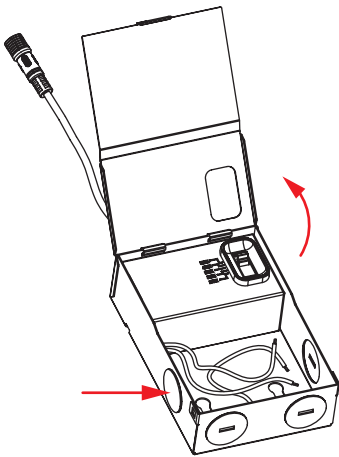
Remove existing trim, CFL or incandescent bulb.

*Note:* Follow all federal and local regulations when disposing of lamps and removed components.

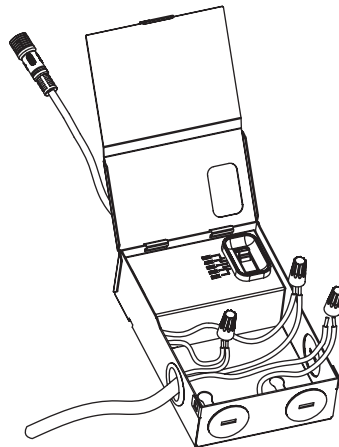
- 2. Measure ceiling opening to ensure that the edge of the luminaire will cover the entire opening and still sit firmly in the ceiling (see Dimensions on page 2).**

- 3. Select desired CCT using adjustment switch on fixture (see Color Select (CCT) Adjustment on page 3).**

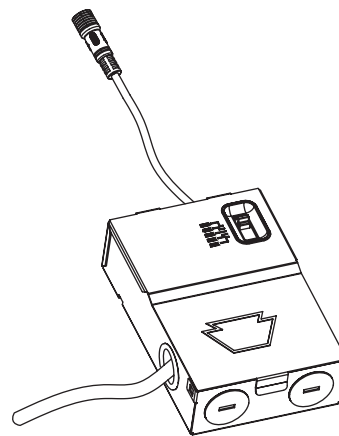
- 4. Open the driver box and remove the knockout(s) (KO).**



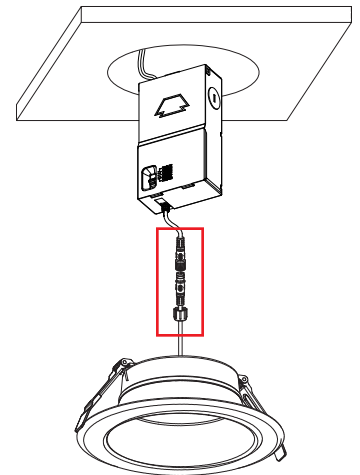
- 5. Insert the electrical supply cable through the KO; use appropriate bushing to prevent wire abrasion. Wire driver box (see Wiring Diagram on page 3 and illustration below).\***



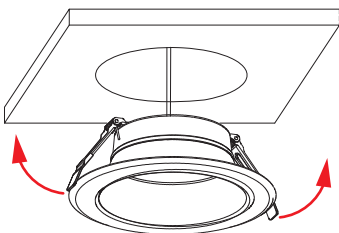
- 6. Place all wiring and connections back into the box and close the cover.**



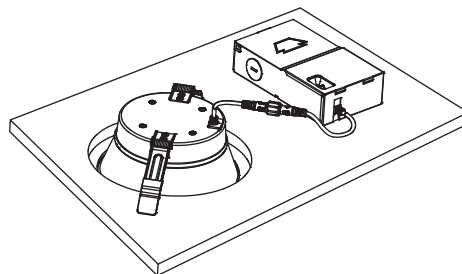
- 7. Insert driver box into ceiling in accordance with local/national codes and connect the male and female connectors. Screw threaded nut over connectors to secure.**



- 8. Lifting both retention tabs upward, push the fixture into the hole until trim sits flush with ceiling.**



- 9. Restore power when ready.**



\* Keystone offers an optional cable accessory to assist with wiring to existing fixture J-box. See KT-MC-NP-1-18/3, Optional Accessories (sold separately) on page 6.

(Installation Instructions continued on next page)

## KT-RDLED23-8B-9CSF-FDIM 8" LED RECESSED DOWNLIGHT

### INSTALLATION INSTRUCTIONS (continued)

#### NEW-CONSTRUCTION INSTALLATION\*

**1. Shut off power at the source of the fixture housing into which you are installing fixture.**

**2. Using installation hole template, create ceiling opening to ensure that the edge of the luminaire will cover the entire opening and still sit firmly in the ceiling (see Dimensions on page 2).**

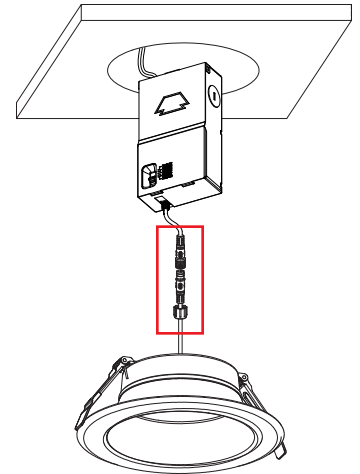
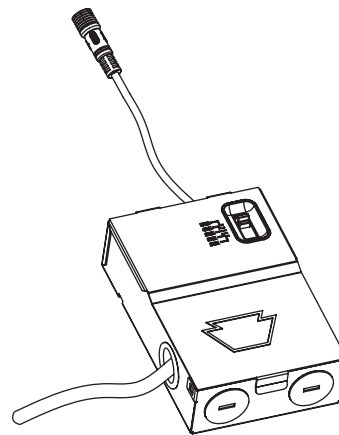
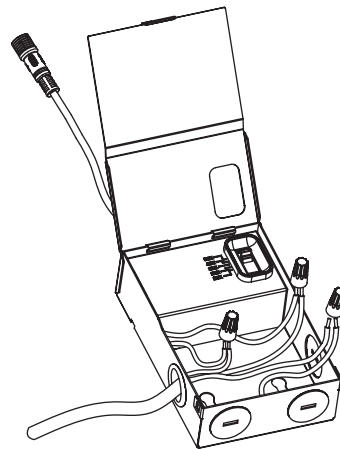
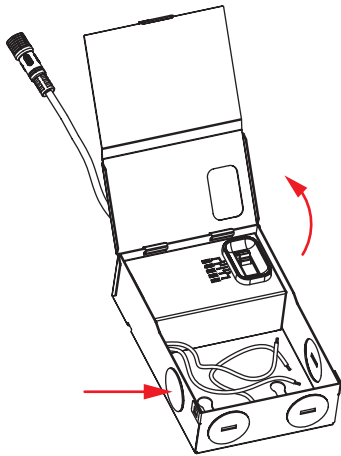
**3. Select desired CCT using adjustment switch on fixture (see Color Select (CCT) Adjustment on page 3).**

**4. Open the driver box and remove the knockout(s) (KO).**

**5. Insert the electrical supply cable through the KO; use appropriate bushing to prevent wire abrasion. Wire driver box (see Wiring Diagram on page 3 and illustration below).\***

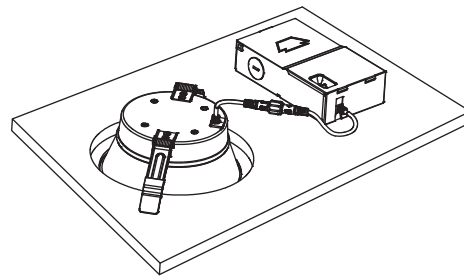
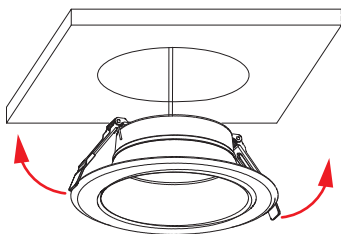
**6. Place all wiring and connections back into the box and close the cover.**

**7. Insert driver box into ceiling in accordance with local/national codes and connect the male and female connectors. Screw threaded nut over connectors to secure.**



**8. Lifting both retention tabs upward, push the fixture into the hole until trim sits flush with ceiling.**

**9. Restore power when ready.**



\* Keystone offers an optional cable accessory to assist with wiring to existing fixture J-box. See KT-MC-NP-1-18/3, Optional Accessories (sold separately) on page 6.

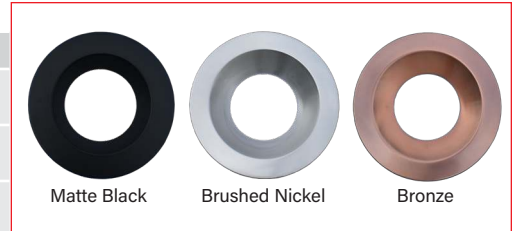
# KT-RDLED23-8B-9CSF-FDIM

## 8" LED RECESSED DOWNLIGHT

**OPTIONAL ACCESSORIES** (sold separately)

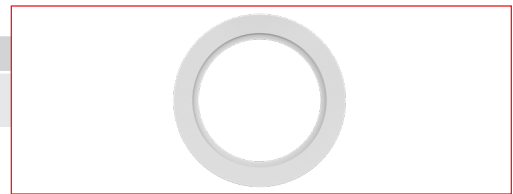
**INTERCHANGEABLE TRIM**

Catalog Number	Description	UPC	Easy Code
KT-RDLED-8B-MB-TRIM	8" Interchangeable Trim for 8B LED Recessed Downlight; Matte Black	843654139531	TXO-92
KT-RDLED-8B-BN-TRIM	8" Interchangeable Trim for 8B LED Recessed Downlight; Brushed Nickel	843654139579	COD-09
KT-RDLED-8B-BR-TRIM	8" Interchangeable Trim for 8B LED Recessed Downlight; Bronze	843654139616	UFI-14



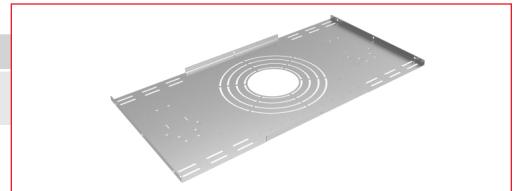
**GOOF RING**

Catalog Number	Description	UPC	Easy Code
KT-RDLED-8B-GOOF	8" Goof Ring for 8B Recessed Downlights; 10" outer diameter	843654139708	IWZ-64



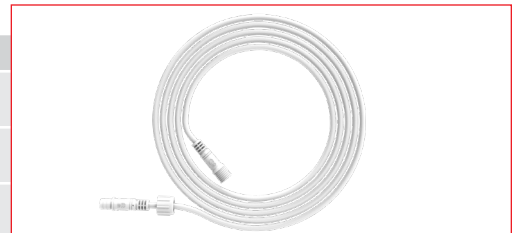
**NEW-CONSTRUCTION PLATE**

Catalog Number	Description	UPC	Easy Code
KT-RDLED-PLATE-1	New-construction plate for LED Recessed Downlights	843654137285	BMS-81



**EXTENSION CABLES**

Catalog Number	Description	UPC	Easy Code
KT-WDLED-EC-6	6' Extension Cord for LED Wafer Downlights	843654139739	GOK-14
KT-WDLED-EC-12	12' Extension Cord for LED Wafer Downlights	843654139746	ECE-88
KT-WDLED-EC-20	20' Extension Cord for LED Wafer Downlights	843654139753	JLM-06



**METAL-CLAD CABLE**

Catalog Number	Description	UPC	Easy Code
KT-MC-NP-1-18/3	Metal-Clad Cable for LED Recessed Downlights; No plug; UL 16AWG 18/3 wire (live, neutral, ground)	843654139777	AYT-71





# KT-RDLED23-8B-9CSF-FDIM

## 8" LED RECESSED DOWNLIGHT

### ORDERING INFORMATION

Catalog Number	Pack Qty.	UPC	Easy Code
KT-RDLED23-8B-9CSF-FDIM	1	843654139166	YMO-75

### CATALOG NUMBER BREAKDOWN

# KT-RDLED23-8B-9CSF-FDIM

1
2
3
4
5
6
7
8
9
10

- 1 Keystone Technologies**
- 2 Fixture Type**
- 3 LED Technology**
- 4 Maximum Wattage**
- 5 Size**
- 6 Style/Design Designation**
- 7 CRI**
- 8 Color Select Technology**
- 9 Color Select Designation**
- 10 Dimming**

<table border="1" style="width: 100%; border-collapse: collapse;"> <tr> <td style="width: 100px;"><b>RD</b></td> <td>Recessed Downlight</td> </tr> </table>	<b>RD</b>	Recessed Downlight	<table border="1" style="width: 100%; border-collapse: collapse;"> <tr> <td style="width: 100px;"><b>8</b></td> <td>8" Nominal</td> </tr> </table>	<b>8</b>	8" Nominal	<table border="1" style="width: 100%; border-collapse: collapse;"> <tr> <td style="width: 100px;"><b>B</b></td> <td>Series B</td> </tr> </table>	<b>B</b>	Series B
<b>RD</b>	Recessed Downlight							
<b>8</b>	8" Nominal							
<b>B</b>	Series B							
<table border="1" style="width: 100%; border-collapse: collapse;"> <tr> <td style="width: 100px;"><b>9</b></td> <td>90</td> </tr> </table>	<b>9</b>	90	<table border="1" style="width: 100%; border-collapse: collapse;"> <tr> <td style="width: 100px;"><b>F</b></td> <td>2700K, 3000K, 3500K, 4000K, 5000K</td> </tr> </table>	<b>F</b>	2700K, 3000K, 3500K, 4000K, 5000K	<table border="1" style="width: 100%; border-collapse: collapse;"> <tr> <td style="width: 100px;"><b>FDIM</b></td> <td>Phase Dimming</td> </tr> </table>	<b>FDIM</b>	Phase Dimming
<b>9</b>	90							
<b>F</b>	2700K, 3000K, 3500K, 4000K, 5000K							
<b>FDIM</b>	Phase Dimming							