

KT-RDLED13-6B-9CSF-FDIM

6" LED RECESSED DOWNLIGHT

DESCRIPTION

6" LED Recessed Downlight |
Color Select Technology |
Remote Driver with Built-in Junction Box

APPLICATION

Ideal for residential, hospitality, retail, office, and other retrofit and new construction applications



10 YEAR LIMITED WARRANTY



PRODUCT FEATURES

- Keystone Color Select technologies offers SKU reduction and allows for easy, on-the-job adjustments
- Utilizes a remote driver with built-in junction box and quick disconnect; Eliminates the need for a traditional, multi-piece fixture setup
- CEC Compliant Flicker Rate (CEC JA10 std.)
- Ideal for new construction, remodel, and retrofit applications
- Frosted lens provides even illumination
- Interchangeable trims available in matte black, brushed nickel, and bronze
- Powered by Keystone TRIAC dimming LED driver, 10–100% dimming
- Ambient operating temperature: –30°C/–22°F to 40°C/104°F
- Suitable for use in wet locations
- Airtight and Type IC-rated
- Power factor: >0.90
- THD: <20%
- LED chip lifetime: L70 >80,000 hrs @ 25°C/77°F ambient fixture temp
- FCC Part 15, Subpart B, Class B

PERFORMANCE SPECIFICATIONS

| Catalog Number | Input Voltage | Wattage | CCT (Selectable)* | Lumen Output | Efficacy | CRI | Power Factor | Beam Angle | Lifetime |
|-------------------------|---------------|---------|-------------------|--------------|----------|-----|--------------|------------|------------|
| KT-RDLED13-6B-9CSF-FDIM | 120V | 13W | 2700K | 950 | 73 lm/W | >90 | >0.9 | 85° | 50,000 hrs |
| | | | 3000K | 970 | 75 lm/W | | | | |
| | | | 3500K | 990 | 76 lm/W | | | | |
| | | | 4000K | 990 | 76 lm/W | | | | |
| | | | 5000K | 970 | 75 lm/W | | | | |

*Preset to 3000K

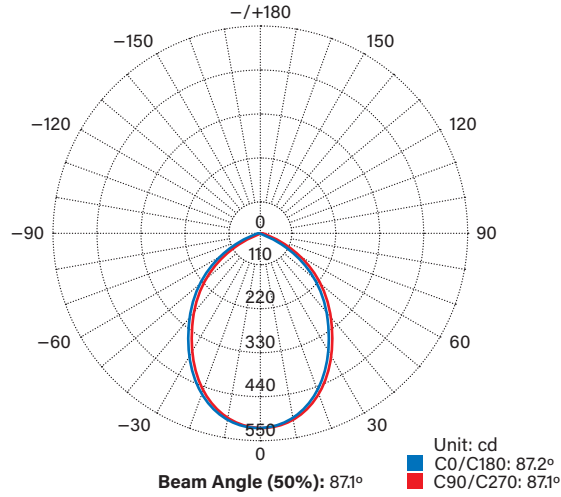
Color Uniformity: CCT (Correlated Color Temperature) range as per guidelines outlined in ANSI C78.377-2017

KT-RDLED13-6B-9CSF-FDIM

6" LED RECESSED DOWNLIGHT

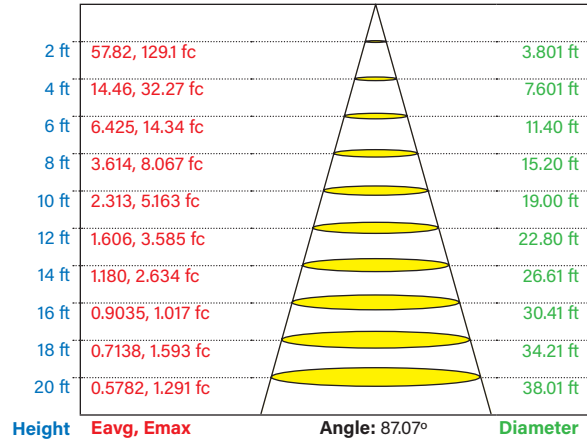
PHOTOMETRIC SPECIFICATIONS

POLAR CANDELA DISTRIBUTION



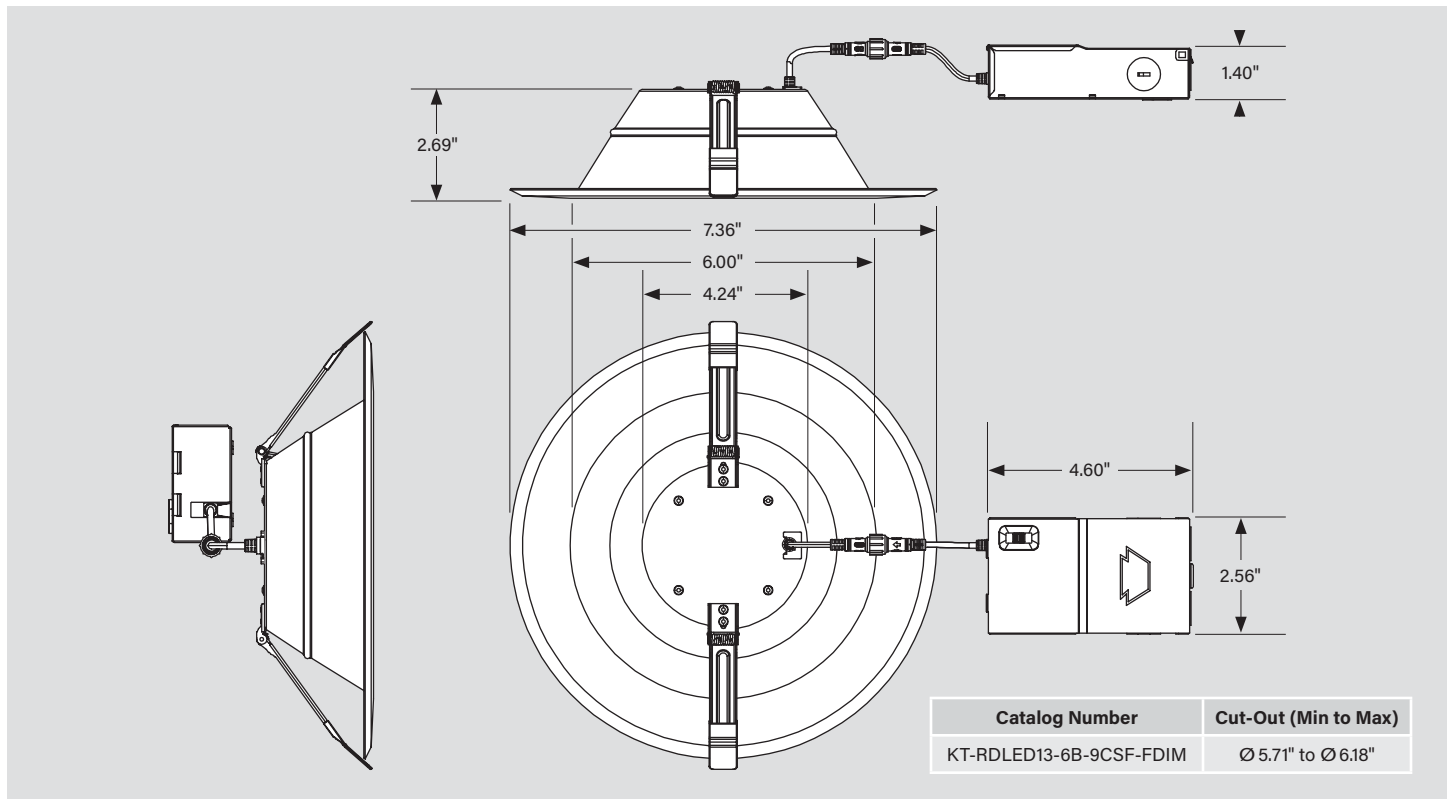
LUX DISTANCE CURVE

Flux Out: 677.6 lm



Curves show illuminated area and average illumination when lamp is at various distances.

PHYSICAL SPECIFICATIONS



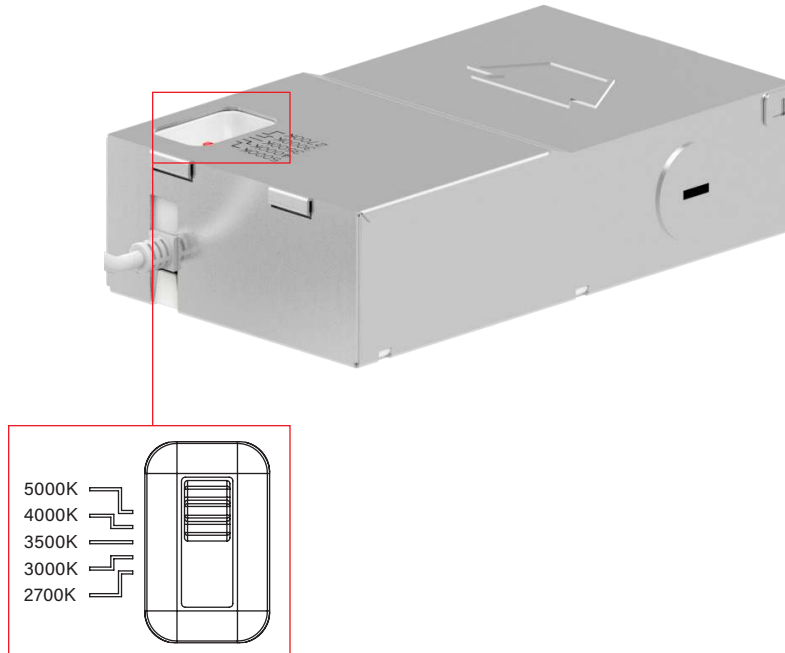
KT-RDLED13-6B-9CSF-FDIM

6" LED RECESSED DOWNLIGHT

COLOR SELECT (CCT) ADJUSTMENT

This fixture is equipped with field-adjustable Keystone Color Select technology.

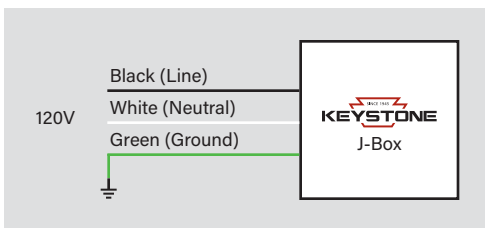
1. Ensure power is off to the fixture.
2. Adjust dip switch to desired setting.



COLOR SELECT ADJUSTMENT SWITCH

Set dip switch to adjust CCT between 2700K, 3000K, 3500K, 4000K, and 5000K. Fixture comes preset at 3000K.

WIRING DIAGRAM



KT-RDLED13-6B-9CSF-FDIM

6" LED RECESSED DOWNLIGHT

INSTALLATION INSTRUCTIONS

RETROFIT INSTALLATION

- 1. Shut off power at the source of the fixture housing into which you are installing fixture.**

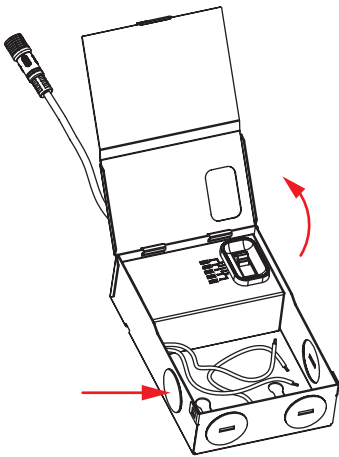
Remove existing trim, CFL or incandescent bulb.

Note: Follow all federal and local regulations when disposing of lamps and removed components.

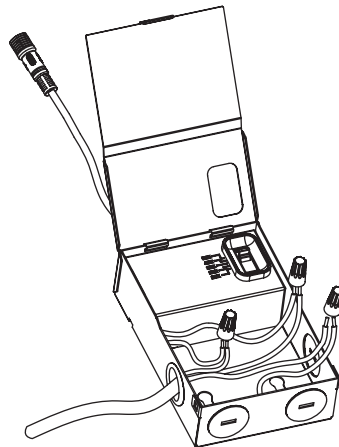
- 2. Measure ceiling opening to ensure that the edge of the luminaire will cover the entire opening and still sit firmly in the ceiling (see Dimensions on page 2).**

- 3. Select desired CCT using adjustment switch on fixture (see Color Select (CCT) Adjustment on page 3).**

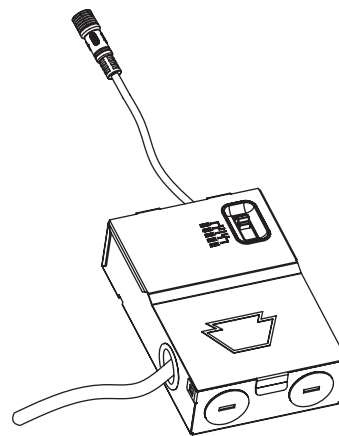
- 4. Open the driver box and remove the knockout(s) (KO).**



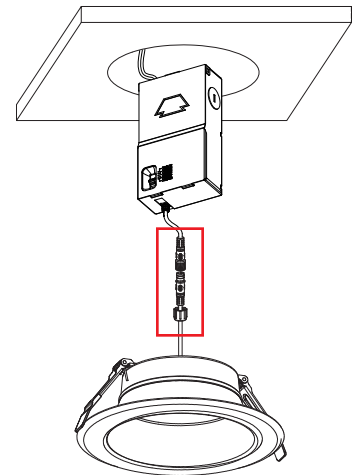
- 5. Insert the electrical supply cable through the KO; use appropriate bushing to prevent wire abrasion. Wire driver box (see Wiring Diagram on page 3 and illustration below).***



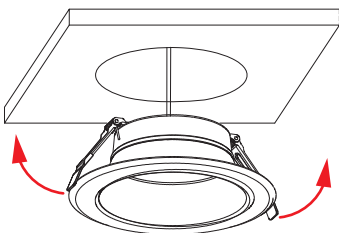
- 6. Place all wiring and connections back into the box and close the cover.**



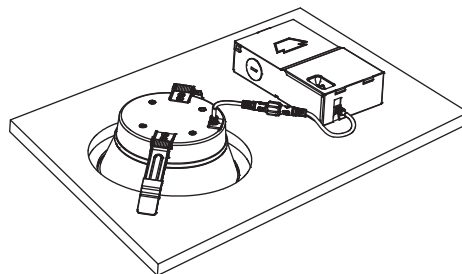
- 7. Insert driver box into ceiling in accordance with local/national codes and connect the male and female connectors. Screw threaded nut over connectors to secure.**



- 8. Lifting both retention tabs upward, push the fixture into the hole until trim sits flush with ceiling.**



- 9. Restore power when ready.**



* Keystone offers an optional cable accessory to assist with wiring to existing fixture J-box. See KT-MC-NP-1-18/3, Optional Accessories (sold separately) on page 6.

(Installation Instructions continued on next page)

KT-RDLED13-6B-9CSF-FDIM

6" LED RECESSED DOWNLIGHT

INSTALLATION INSTRUCTIONS (continued)

NEW-CONSTRUCTION INSTALLATION*

1. Shut off power at the source of the fixture housing into which you are installing fixture.

2. Using installation hole template, create ceiling opening to ensure that the edge of the luminaire will cover the entire opening and still sit firmly in the ceiling (see Dimensions on page 2).

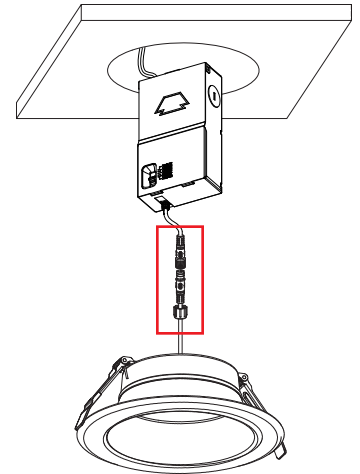
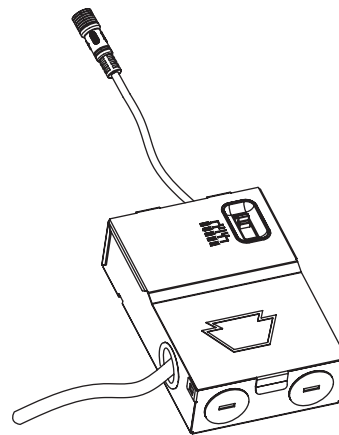
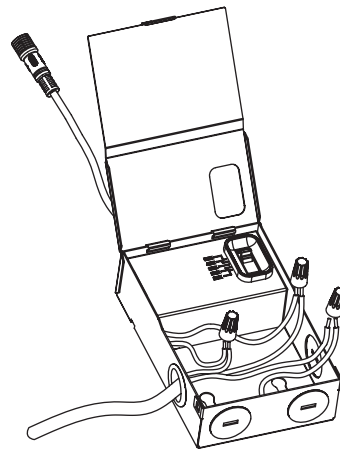
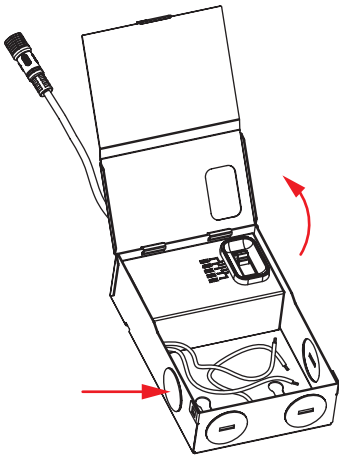
3. Select desired CCT using adjustment switch on fixture (see Color Select (CCT) Adjustment on page 3).

4. Open the driver box and remove the knockout(s) (KO).

5. Insert the electrical supply cable through the KO; use appropriate bushing to prevent wire abrasion. Wire driver box (see Wiring Diagram on page 3 and illustration below).*

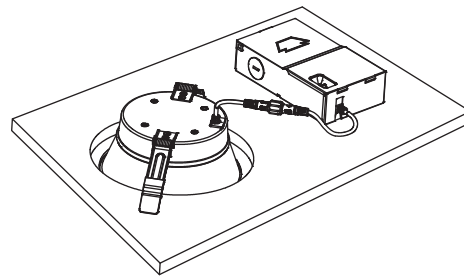
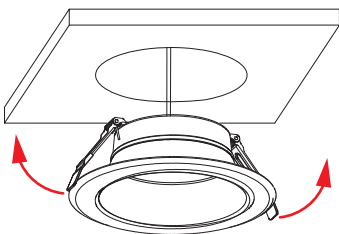
6. Place all wiring and connections back into the box and close the cover.

7. Insert driver box into ceiling in accordance with local/national codes and connect the male and female connectors. Screw threaded nut over connectors to secure.



8. Lifting both retention tabs upward, push the fixture into the hole until trim sits flush with ceiling.

9. Restore power when ready.



* Keystone offers an optional cable accessory to assist with wiring to existing fixture J-box. See KT-MC-NP-1-18/3, Optional Accessories (sold separately) on page 6.



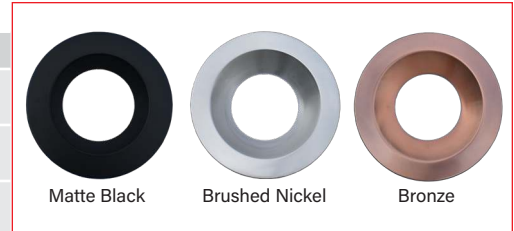
KT-RDLED13-6B-9CSF-FDIM

6" LED RECESSED DOWNLIGHT

OPTIONAL ACCESSORIES (sold separately)

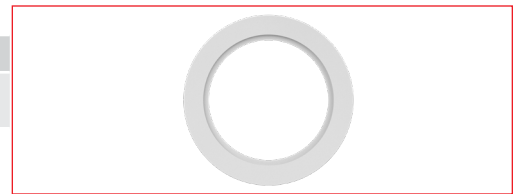
INTERCHANGEABLE TRIM

| Catalog Number | Description | UPC | Easy Code |
|---------------------|---|--------------|-----------|
| KT-RDLED-6B-MB-TRIM | 6" Interchangeable Trim for 6B LED Recessed Downlight; Matte Black | 843654139524 | KXA-79 |
| KT-RDLED-6B-BN-TRIM | 6" Interchangeable Trim for 6B LED Recessed Downlight; Brushed Nickel | 843654139562 | TPZ-86 |
| KT-RDLED-6B-BR-TRIM | 6" Interchangeable Trim for 6B LED Recessed Downlight; Bronze | 843654139609 | HZD-56 |



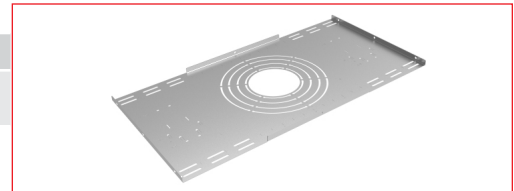
GOOF RING

| Catalog Number | Description | UPC | Easy Code |
|------------------|--|--------------|-----------|
| KT-RDLED-6B-GOOF | 6" Goof Ring for 6B Recessed Downlights; 8" outer diameter | 843654139692 | BTA-71 |



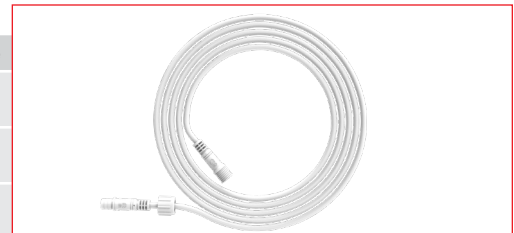
NEW-CONSTRUCTION PLATE

| Catalog Number | Description | UPC | Easy Code |
|------------------|--|--------------|-----------|
| KT-RDLED-PLATE-1 | New-construction plate for LED Recessed Downlights | 843654137285 | BMS-81 |



EXTENSION CABLES

| Catalog Number | Description | UPC | Easy Code |
|----------------|---|--------------|-----------|
| KT-WDLED-EC-6 | 6' Extension Cord for LED Wafer Downlights | 843654139739 | GOK-14 |
| KT-WDLED-EC-12 | 12' Extension Cord for LED Wafer Downlights | 843654139746 | ECE-88 |
| KT-WDLED-EC-20 | 20' Extension Cord for LED Wafer Downlights | 843654139753 | JLM-06 |



METAL-CLAD CABLE

| Catalog Number | Description | UPC | Easy Code |
|-----------------|---|--------------|-----------|
| KT-MC-NP-1-18/3 | Metal-Clad Cable for LED Recessed Downlights; No plug; UL 16AWG 18/3 wire (live, neutral, ground) | 843654139777 | AYT-71 |



EMERGENCY PACK

| Catalog Number | Description | UPC | Easy Code |
|--------------------------|--|--------------|-----------|
| KT-EMRG-LED-5-500-AC /DF | LED Emergency Backup, 5W - 500 Lumen Constant Power Design. 120-277V Input. Dual Flex Cable Design. Installs on Primary Side of AC Powered LED load. | 843654120843 | DUE-53 |





KT-RDLED13-6B-9CSF-FDIM

6" LED RECESSED DOWNLIGHT

ORDERING INFORMATION

| Catalog Number | Pack Qty. | UPC | Easy Code |
|-------------------------|-----------|--------------|-----------|
| KT-RDLED13-6B-9CSF-FDIM | 1 | 843654139159 | NIL-59 |

CATALOG NUMBER BREAKDOWN

KT-RDLED13-6B-9CSF-FDIM

1
2
3
4
5
6
7
8
9
10

- 1 Keystone Technologies**
- 2 Fixture Type**
 - RD Recessed Downlight
- 3 LED Technology**
- 4 Maximum Wattage**
- 5 Size**
 - 6 6" Nominal
- 6 Style/Design Designation**
 - B Series B
- 7 CRI**
 - 9 90
- 9 Color Select Designation**
 - F 2700K, 3000K, 3500K, 4000K, 5000K
- 10 Dimming**
 - FDIM Phase Dimming