



# KT-LED8RD-4CB-9CSF-DIM

## 4" LED BAFFLED DOWNLIGHT RETROFIT TRIM

### DESCRIPTION

4" Baffled Downlight Retrofit Trim | Color Select Technology | Quick-Disconnect E26 Base

### APPLICATION

Ideal for residential, hospitality, retail, and other retrofit and new construction applications



### PRODUCT FEATURES

- Keystone Color Select technology (2700/3000/3500/4000/5000K)
- Includes quick-disconnect E26 base adaptor for easy install in retrofit applications
- Offers improved aesthetics vs. screw-in lamps while using the same easy, screw-in installation
- Ideal for retrofit, new construction, and remodel applications
- Suitable for a wide range of existing recessed can fixtures
- Baffled reflector offers clean, modern appearance
- Diffused lens reduces glare
- Interchangeable trims available in matte black, brushed nickel, and bronze
- Powered by Keystone TRIAC dimming LED driver; 10–100% dimming
- Ambient operating temperature: –20°C/–4°F to 40°C/104°F
- Suitable for use in wet locations
- Power factor: >0.90
- THD: <20%
- FCC Part 15, Subpart B, Class B

### PERFORMANCE SPECIFICATIONS

Catalog Number	Input Voltage	Wattage	CCT (Selectable)*	Lumen Output	Efficacy	CRI	Power Factor	Beam Angle	Lifetime
KT-LED8RD-4CB-9CSF-DIM	120V	8W	2700K	700	88 lm/W	>90	>0.9	95°	50,000 hrs
			3000K	710	89 lm/W				
			3500K	720	90 lm/W				
			4000K	720	90 lm/W				
			5000K	710	89 lm/W				

\* Preset to lowest CCT: 2700K

Color Uniformity: CCT (Correlated Color Temperature) range as per guidelines outlined in ANSI C78.377-2017

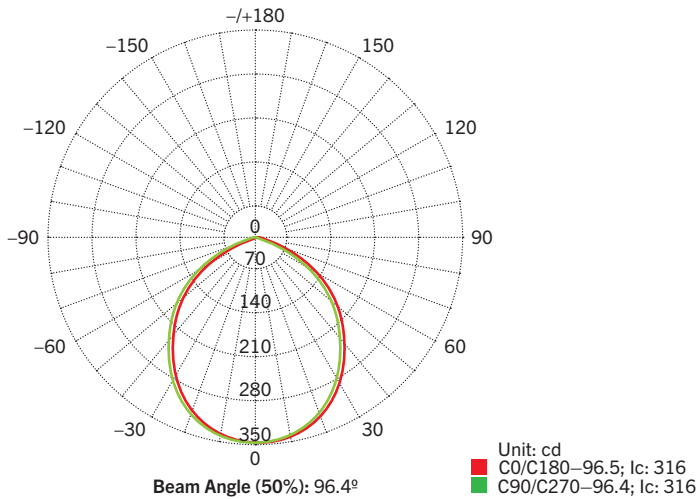


# KT-LED8RD-4CB-9CSF-DIM

## 4" BAFFLED RETROFIT TRIM

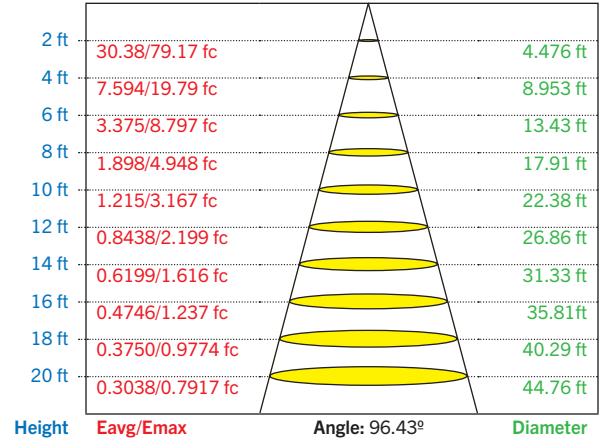
### PHOTOMETRIC SPECIFICATIONS

#### POLAR CANDELA DISTRIBUTION



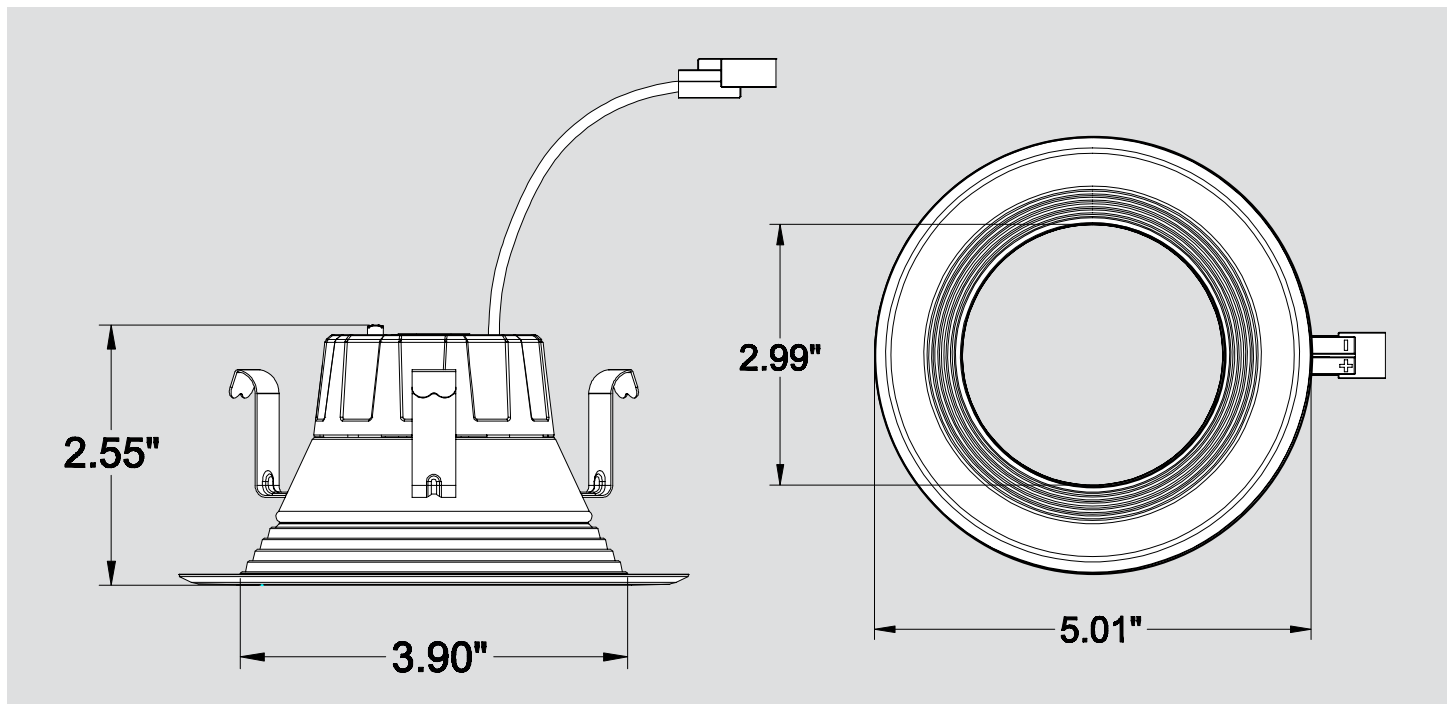
#### LUX DISTANCE CURVE

Flux Out: 505.1 lm



Curves show illuminated area and average illumination when lamp is at various distances.

### PHYSICAL SPECIFICATIONS



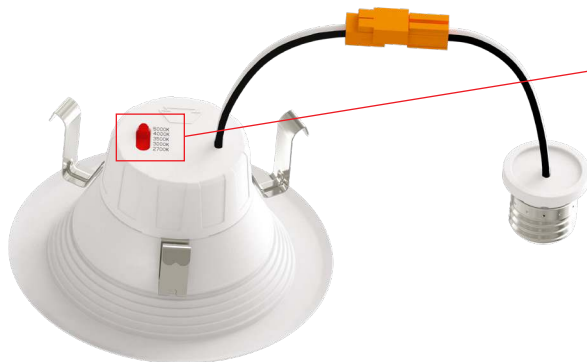


## KT-LED8RD-4CB-9CSF-DIM 4" BAFFLED RETROFIT TRIM

### COLOR SELECT (CCT) ADJUSTMENT

This fixture is equipped with field-adjustable Keystone Color Select technology.

1. Ensure power is off to the fixture.
2. Adjust dip switch to desired setting.

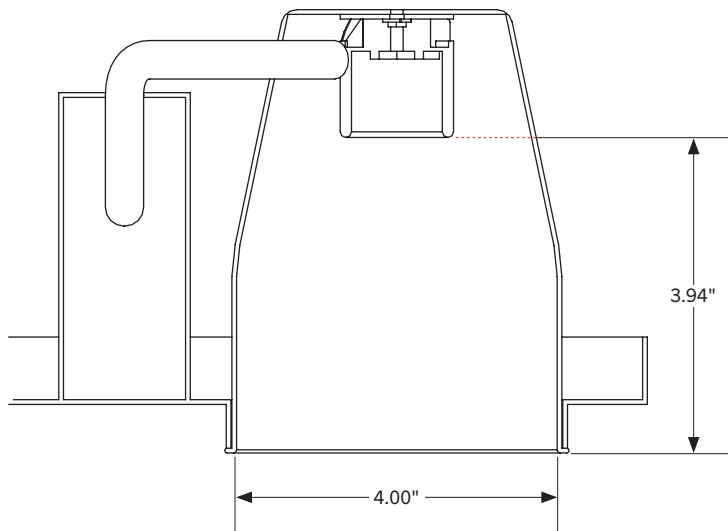


#### COLOR SELECT ADJUSTMENT SWITCH

Set dip switch to adjust CCT between 2700K, 3000K, 3500K, 4000K, and 5000K. Fixture comes preset at 2700K.

### INSTALLATION INSTRUCTIONS

The existing luminaire housing must be equal to or larger than over-all inner dimensions illustrated below.



*(Installation Instructions continued on next page)*

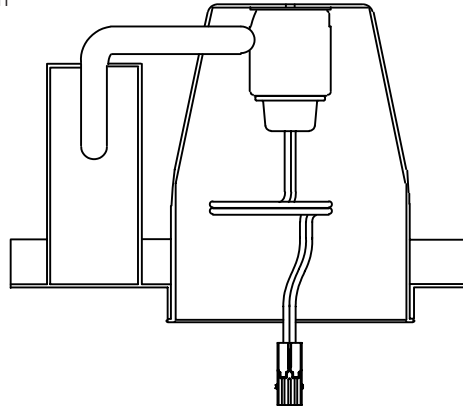
## KT-LED8RD-4CB-9CSF-DIM 4" BAFFLED RETROFIT TRIM

### INSTALLATION INSTRUCTIONS (continued)

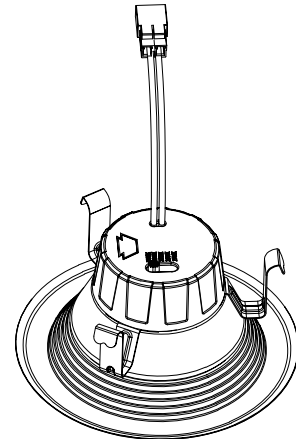
- 1. Shut off power at the source of the recessed housing into which you are installing fixture.** Remove existing trim and CFL or incandescent bulb.

*Note:* Follow all federal and local regulations when disposing of lamps and removed components.

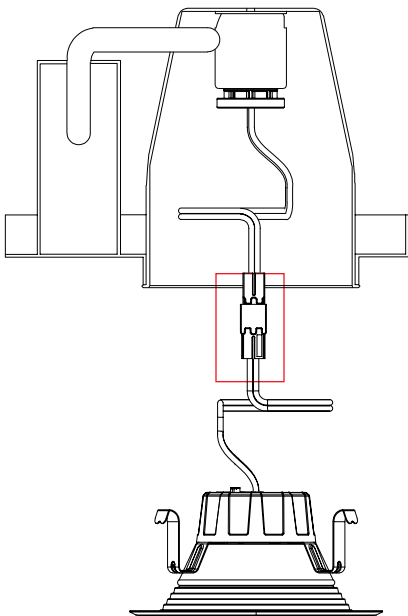
- 2. Screw the E26 adaptor into the socket inside the housing.**



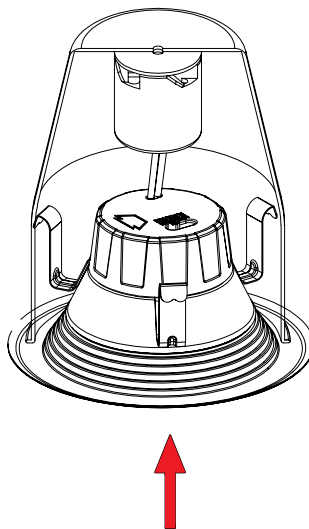
- 3. Select desired CCT using adjustment switch on driver box (see *Color Select (CCT) Adjustment* on page 3).**



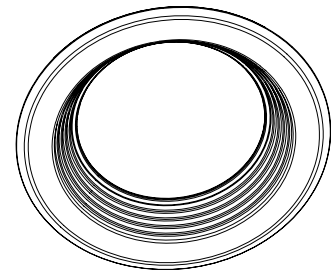
- 4. Plug E26 base cable connection into the recessed housing.**



- 5. Carefully route wires into fixture, sliding the trim and friction clips into the housing.**



- 6. Push the LED trim into the housing until trim is flush with ceiling.**





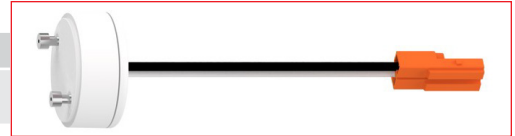
# KT-LED8RD-4CB-9CSF-DIM

## 4" LED BAFFLED RETROFIT TRIM

### OPTIONAL ACCESSORIES (sold separately)

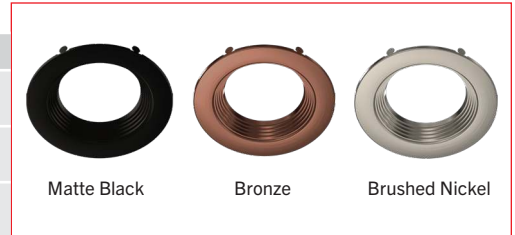
#### GU24 ADAPTOR

Catalog Number	Description	UPC	Easy Code
KT-ADPT-RD-GU24	GU24 Adaptor for downlight retrofit trim	843654137568	WTQ-04



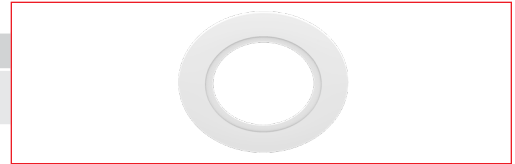
#### INTERCHANGEABLE TRIM

Catalog Number	Description	UPC	Easy Code
KT-TRIM-RD-4CB-MB	4" Interchangeable Trim for Baffled 4" Residential Circular Downlight, Matte Black	843654140735	UCH-61
KT-TRIM-RD-4CB-BR	4" Interchangeable Trim for Baffled 4" Residential Circular Downlight, Bronze	843654140759	KVX-81
KT-TRIM-RD-4CB-BN	4" Interchangeable Trim for Baffled 4" Residential Circular Downlight, Brushed Nickel	843654140773	OGO-41



#### GOOF RING

Catalog Number	Description	UPC	Easy Code
KT-GOOF-RD-4C	4" Goof ring for 4" circular downlight retrofit trim; 6.7" diameter	843654137636	CSA-39



### ORDERING INFORMATION

Catalog Number	Pack Qty.	UPC	Easy Code
KT-LED8RD-4CB-9CSF-DIM	1	843654140711	OXK-30

### CATALOG NUMBER BREAKDOWN

# KT-LED8RD-4CB-9CSF-DIM

1
2
3
4
5
6
7
8
9
10

- 1** Keystone Technologies
- 2** LED Technology
- 3** Max Wattage
- 4** Fixture Type
  - RD Recessed Downlight
- 5** Nominal Size
  - 4 4" Nominal
- 6** Circular Baffled
- 7** 90 CRI
- 8** Color Select
- 9** Color Select Designation
  - F 2700/3000/3500/4000/5000K
- 10** Dimming
  - DIM TRIAC Dimmable