



AVIVA



KT-LED8RD-4C-9CSF-DIM-G 4" DOWNLIGHT RETROFIT GIMBAL TRIM

DESCRIPTION

4" Downlight Retrofit Gimbal Trim | Color Select Technology | Quick-Disconnect E26 Base

APPLICATION

Ideal for residential, hospitality, retail, and other retrofit and new construction applications



PRODUCT FEATURES

- Keystone Color Select technology offers SKU reduction and allows for easy, on-the-job adjustments: 2700K, 3000K, 3500K, 4000K, 5000K
- Includes quick-disconnect E26 base adaptor for easy install in retrofit applications
- Offers improved aesthetics vs. screw-in lamps while using the same easy, screw-in installation
- Ideal for retrofit, new construction, and remodel applications
- Suitable for a wide range of existing recessed can fixtures
- Smooth reflector trim offers clean, modern appearance
- Diffused lens reduces glare
- Gimbal construction features up to 30° vertical tilt, 350° horizontal rotation
- Powered by Keystone TRIAC dimming LED driver; 10–100% dimming
- Ambient operating temperature: –20°C/–4°F to 40°C/104°F
- Suitable for use in wet locations
- Power factor: >0.90
- THD: <20%
- FCC Part 15, Subpart B, Class B
- CEC Compliant Flicker Rate (CEC JA10 std.)

PERFORMANCE SPECIFICATIONS

Catalog Number	Input Voltage	Wattage	CCT (Selectable)*	Lumen Output	Efficacy	CRI	Power Factor	Beam Angle	Lifetime
KT-LED8RD-4C-9CSF-DIM-G	120V	8W	2700K	720	90 lm/W	>90	>0.9	95°	50,000 hrs
			3000K	750	94 lm/W				
			3500K	800	100 lm/W				
			4000K	810	101 lm/W				
			5000K	800	100 lm/W				

* Preset to lowest CCT: 2700K

Color Uniformity: CCT (Correlated Color Temperature) range as per guidelines outlined in ANSI C78.377-2017

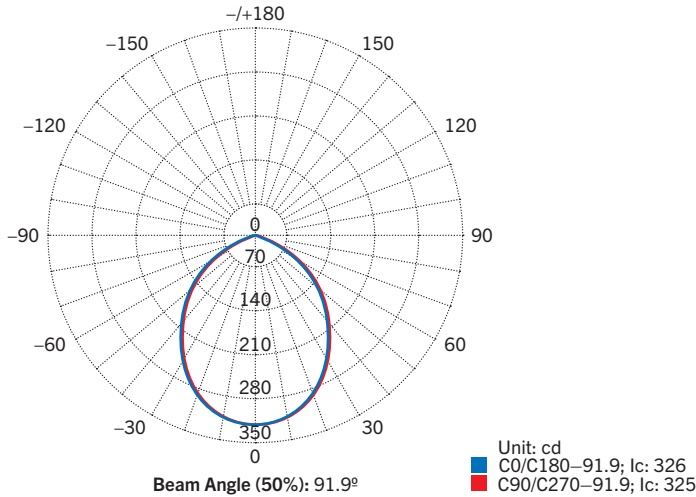


KT-LED8RD-4C-9CSF-DIM-G

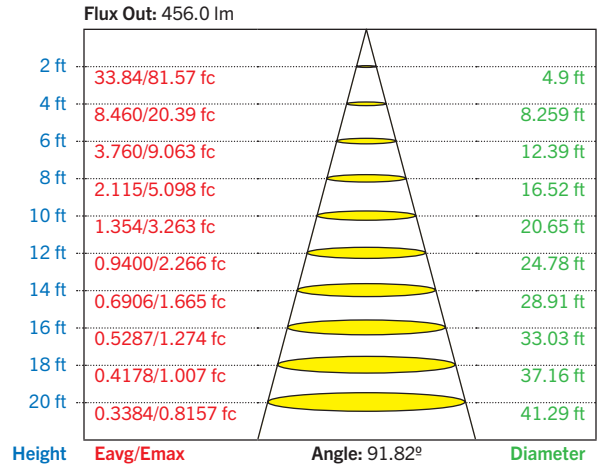
4" DOWNLIGHT RETROFIT GIMBAL TRIM

PHOTOMETRIC SPECIFICATIONS

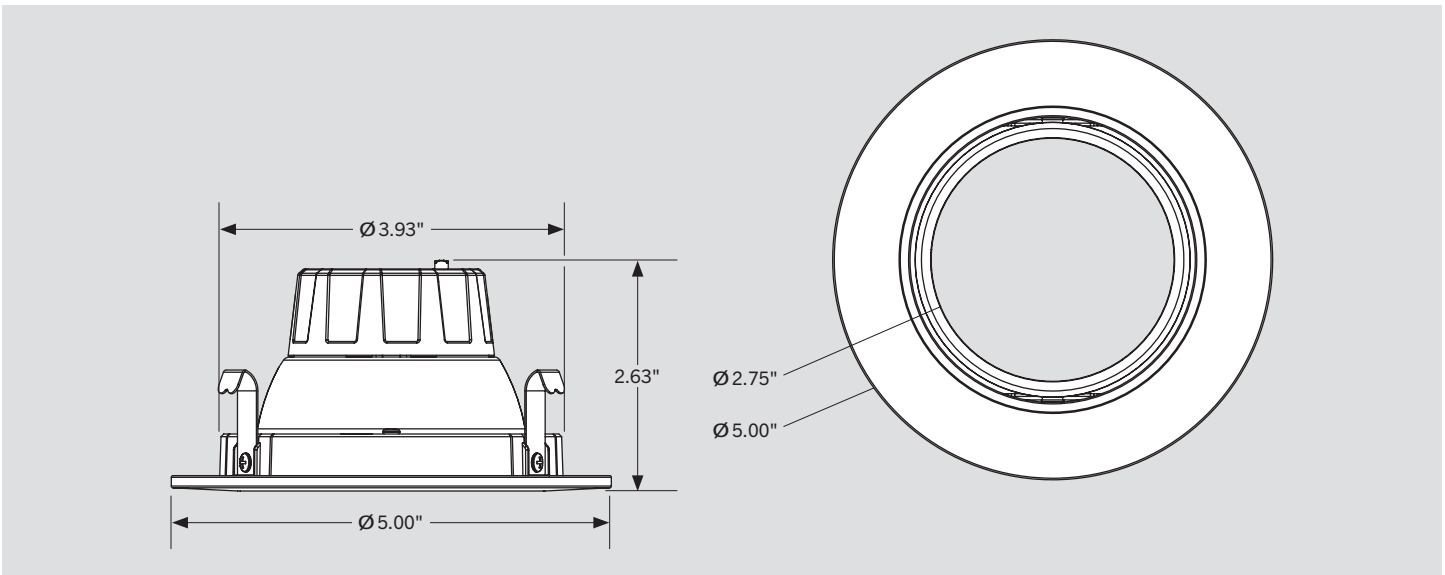
POLAR CANDELA DISTRIBUTION



LUX DISTANCE CURVE



PHYSICAL SPECIFICATIONS



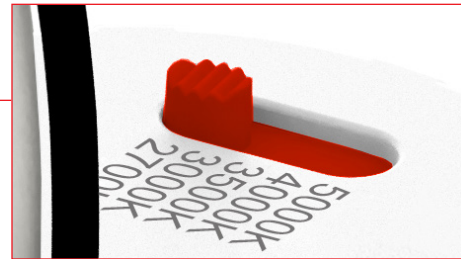
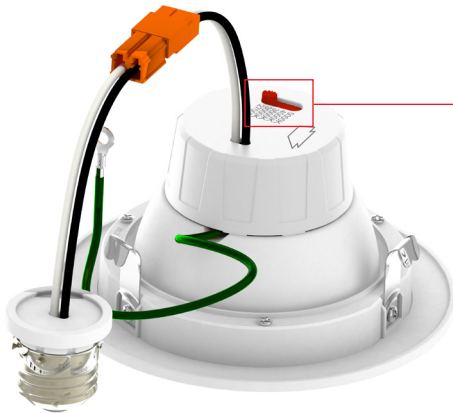


KT-LED8RD-4C-9CSF-DIM-G 4" DOWNLIGHT RETROFIT GIMBAL TRIM

COLOR SELECT (CCT) ADJUSTMENT

This fixture is equipped with field-adjustable Keystone Color Select technology.

1. Ensure power is off to the fixture.
2. Adjust dip switch to desired setting.

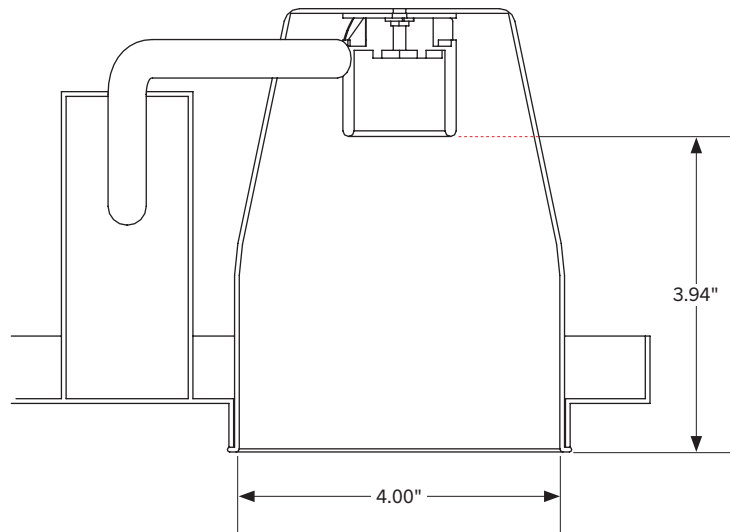


COLOR SELECT ADJUSTMENT SWITCH

Set dip switch to adjust CCT between 2700K, 3000K, 3500K, 4000K, and 5000K. Fixture comes preset at 2700K.

INSTALLATION INSTRUCTIONS

The existing luminaire housing must be equal to or larger than over-all inner dimensions illustrated below.



(Installation Instructions continued on next page)



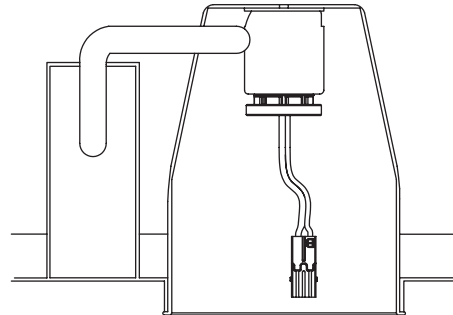
KT-LED8RD-4C-9CSF-DIM-G 4" DOWNLIGHT RETROFIT GIMBAL TRIM

INSTALLATION INSTRUCTIONS (continued)

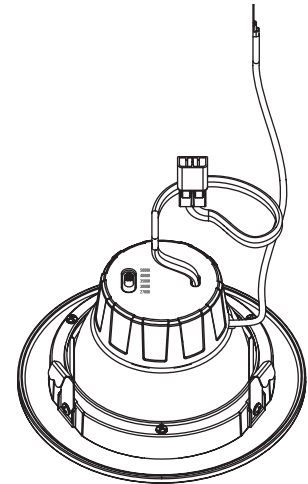
- 1. Shut off power at the source of the recessed housing into which you are installing fixture.** Remove existing trim and CFL or incandescent bulb.

Note: Follow all federal and local regulations when disposing of lamps and removed components.

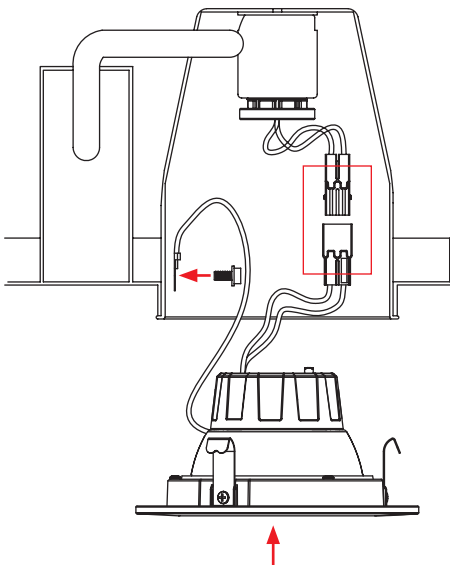
- 2.** Screw the E26 adaptor into the socket inside the housing.



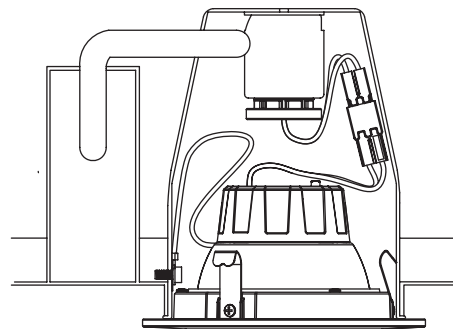
- 3.** Select desired CCT using adjustment switch on driver box (see *Color Select (CCT) Adjustment* on page 3).



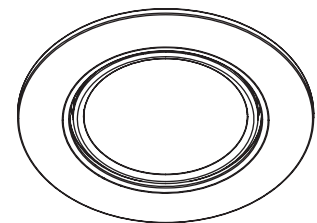
- 4.** Plug E26 base cable connection into the recessed housing kit, ensuring that kit is grounded.



- 5.** Carefully route wires into fixture, sliding the trim and friction clips into the housing for a tight fit.



- 6.** Push recessed kit up until trim is flush with ceiling.



(Installation Instructions continued on next page)

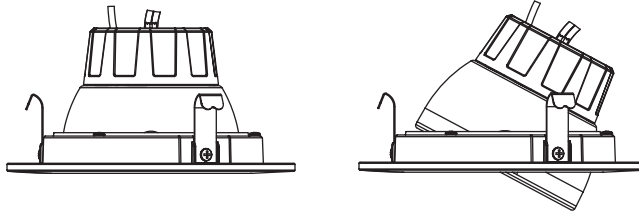


KT-LED8RD-4C-9CSF-DIM-G

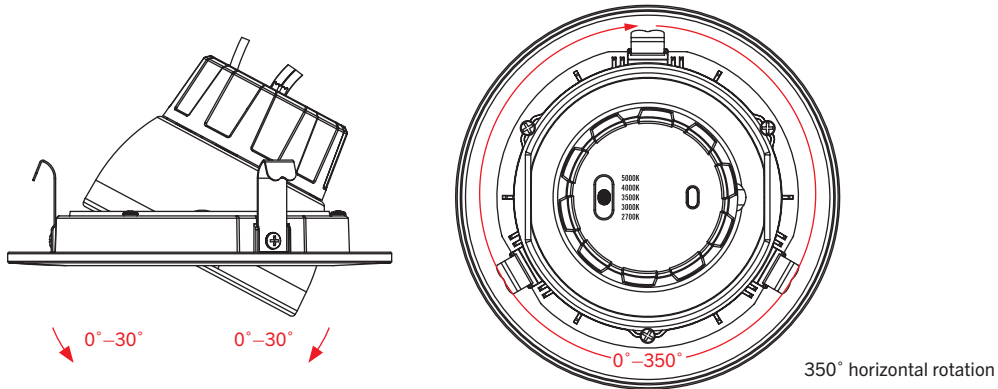
4" DOWNLIGHT RETROFIT GIMBAL TRIM

INSTALLATION INSTRUCTIONS (continued)

7. Push the edge of the bezel to tilt lens vertically and rotate lens assembly horizontally towards the surface to be illuminated.



GIMBAL FEATURES



OPTIONAL ACCESSORY (sold separately)

GU24 ADAPTOR

Catalog Number	Description	UPC	Easy Code
KT-ADPT-RD-GU24	GU24 Adaptor for downlight retrofit trim	843654137568	WTQ-04





KT-LED8RD-4C-9CSF-DIM-G

4" DOWNLIGHT RETROFIT GIMBAL TRIM

ORDERING INFORMATION

Catalog Number	Pack Qty.	UPC	Easy Code
KT-LED8RD-4C-9CSF-DIM-G	1	843654137476	FKR-02

CATALOG NUMBER BREAKDOWN

KT-LED8RD-4C-9CSF-DIM-G

1 2 3 4 5 6 7 8 9 10 11

1 Keystone Technologies	4 Fixture Type	5 Nominal Size	6 Shape	7 CRI
2 LED Technology	RD Recessed Downlight	4 4" Nominal	C Circular	9 90
3 Wattage	8 Special Indicator	9 Color Select Designation	10 Dimming	
4 Fixture Type	CS Color Select Technology	F 2700K, 3000K, 3500K, 4000K, 5000K	DIM TRIAC Dimmable	
5 Nominal Size				
6 Shape				
7 CRI				
8 Special Indicator				
9 Color Select Designation				
10 Dimming				
11 Gimbal Construction				