



KT-LED6RD-4C-830-DIM-CS

4" DOWNLIGHT RETROFIT TRIM

DESCRIPTION

4" Downlight Retrofit Trim

APPLICATION

Ideal for residential, hospitality, retail, and other retrofit and new construction applications



PRODUCT FEATURES

- Offers improved aesthetics vs. screw-in lamps while using the same easy, screw-in installation
- Ideal for retrofit, new construction, and remodel applications
- Suitable for a wide range of existing recessed can fixtures
- Smooth reflector trim offers clean, modern appearance
- Diffused lens reduces glare
- Interchangeable trims available in matte black, brushed nickel, and bronze
- Powered by Keystone TRIAC dimming LED driver; 10–100% dimming
- Ambient operating temperature: –20°C/–4°F to 40°C/104°F
- Suitable for use in wet locations
- Power factor: >0.90
- THD: <20%
- FCC Part 15, Subpart B, Class B
- CEC Compliant Flicker Rate (CEC JA10 std.)

PERFORMANCE SPECIFICATIONS

Catalog Number	Input Voltage	Wattage	CCT*	Lumen Output	Efficacy	CRI	Power Factor	Beam Angle	Lifetime
KT-LED6RD-4C-830-DIM-CS	120V	6W	3000K	550	92 lm/W	>90	>0.9	90°	11,000 hrs

* Color Uniformity: CCT (Correlated Color Temperature) range as per guidelines outlined in ANSI C78.377-2017

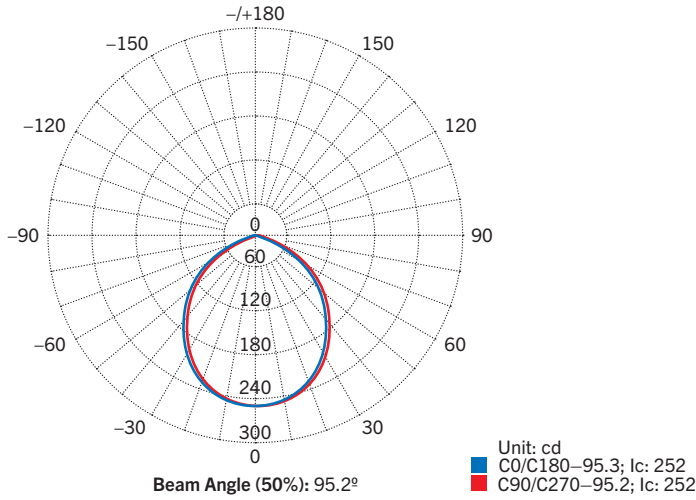


KT-LED6RD-4C-830-DIM-CS

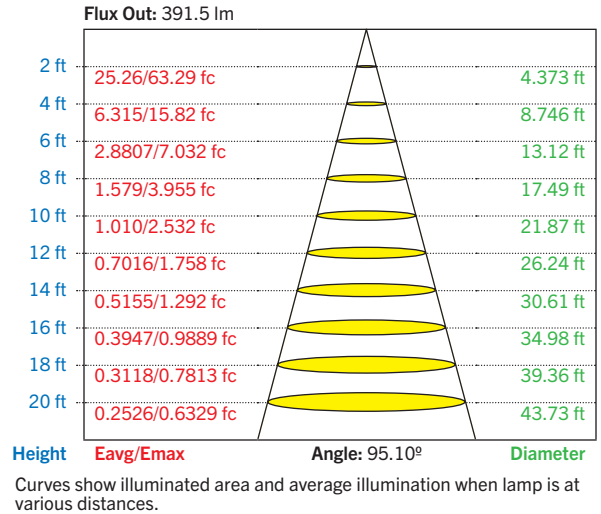
4" DOWNLIGHT RETROFIT TRIM

PHOTOMETRIC SPECIFICATIONS

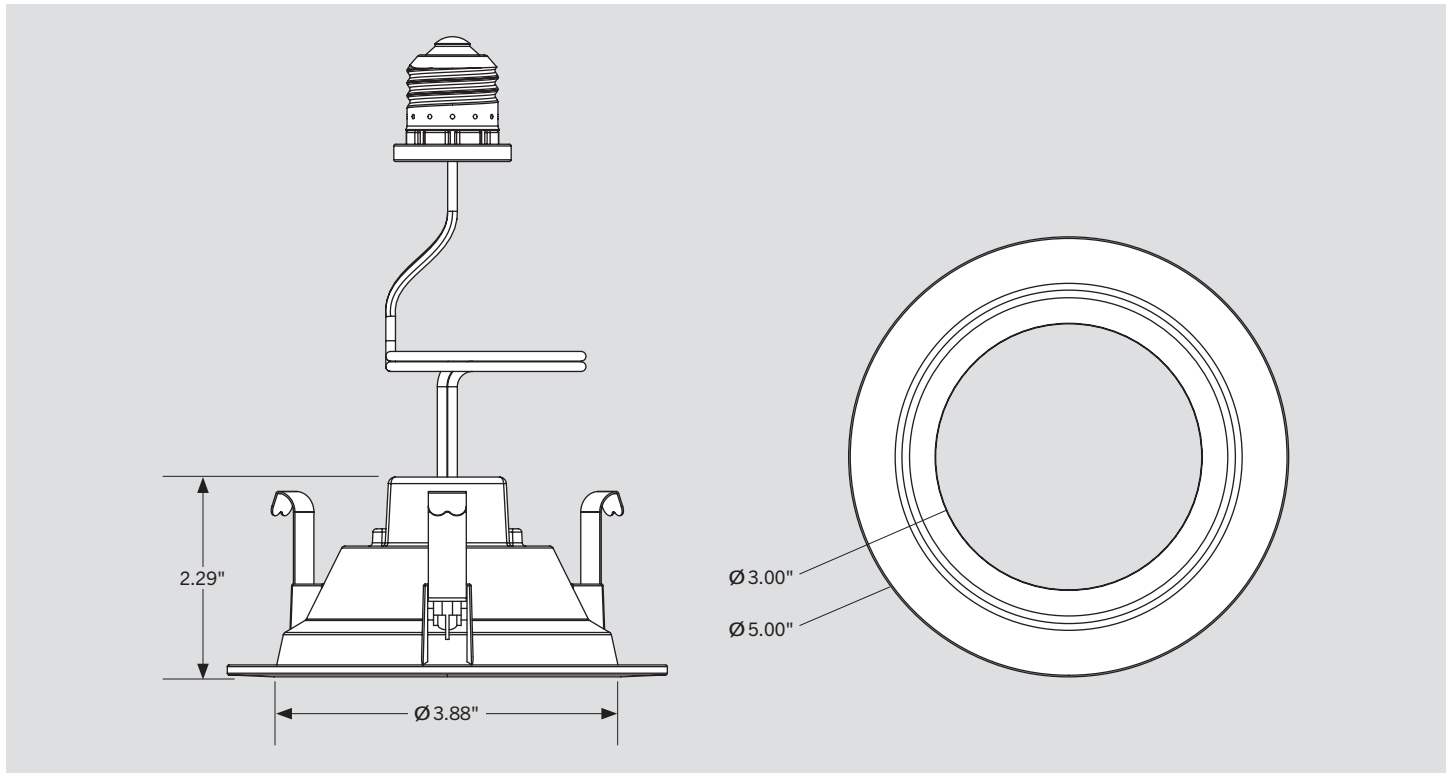
POLAR CANDELA DISTRIBUTION



LUX DISTANCE CURVE



PHYSICAL SPECIFICATIONS

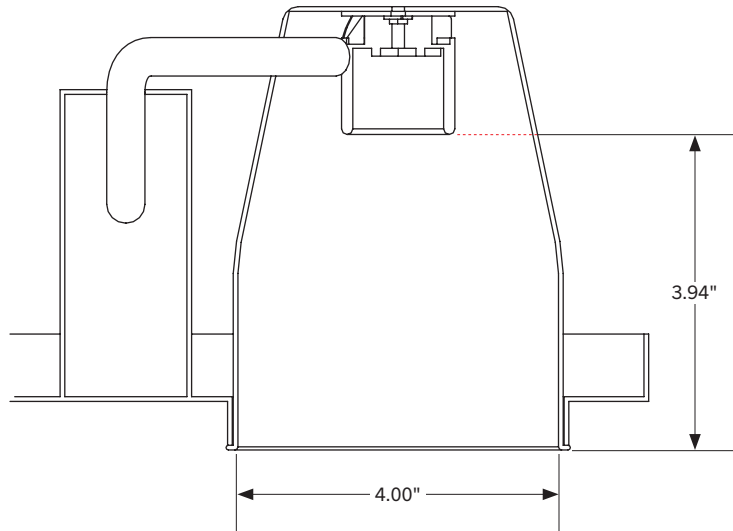




KT-LED6RD-4C-830-DIM-CS 4" DOWNLIGHT RETROFIT TRIM

INSTALLATION INSTRUCTIONS

The existing luminaire housing must be equal to or larger than over-all inner dimensions illustrated below.



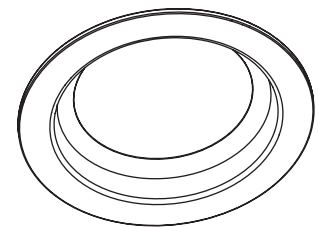
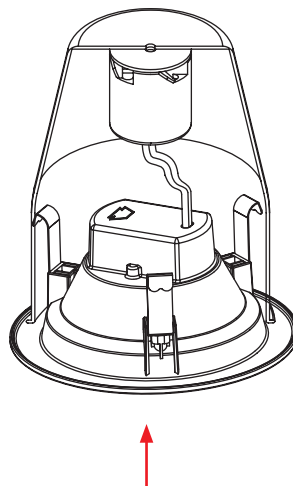
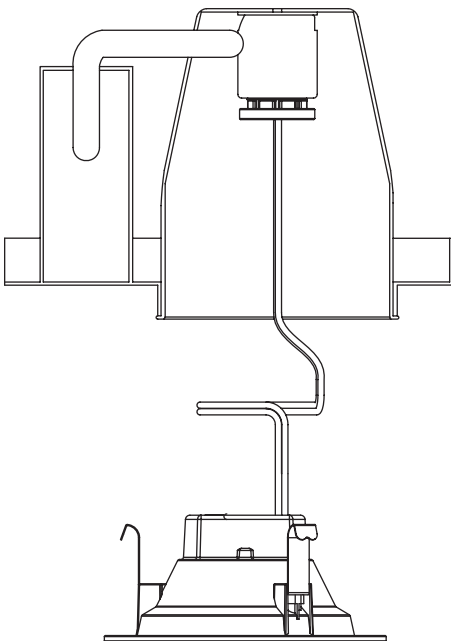
1. **Shut off power at the source of the recessed housing into which you are installing fixture.** Remove existing trim and CFL or incandescent bulb.

Note: Follow all federal and local regulations when disposing of lamps and removed components.

2. Screw the E26 adaptor into the socket inside the housing.

3. Carefully route wires into fixture, sliding the trim and friction clips into the housing for a tight fit.

4. Push the LED trim into the housing until trim is flush with ceiling.





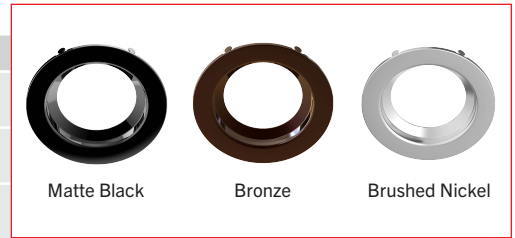
KT-LED6RD-4C-830-DIM-CS

4" DOWNLIGHT RETROFIT TRIM

OPTIONAL ACCESSORIES (sold separately)

INTERCHANGEABLE TRIM

Catalog Number	Description	UPC	Easy Code
KT-TRIM-RD-4C-MB	4" Interchangeable trim for 4" circular downlight retrofit trim; Matte black	843654137575	WXP-47
KT-TRIM-RD-4C-BR	4" Interchangeable trim for 4" circular downlight retrofit trim; Bronze	843654137599	NWK-94
KT-TRIM-RD-4C-BN	4" Interchangeable trim for 4" circular downlight retrofit trim; Brushed nickel	843654137612	UTA-46



ORDERING INFORMATION

Catalog Number	Pack Qty.	UPC	Easy Code
KT-LED6RD-4C-830-DIM-CS	1	843654137506	GDI-47

CATALOG NUMBER BREAKDOWN

KT-LED6RD-4C-830-DIM-CS

1 2 3 4 5 6 7 8 9 10

- 1 Keystone Technologies
- 2 LED Technology
- 3 Wattage
- 4 Fixture Type
- 5 Nominal Size
- 6 Shape
- 7 CRI
- 8 Color
- 9 Dimming
- 10 Contractor Series

4 Fixture Type	5 Nominal Size	6 Shape	7 CRI
RD Recessed Downlight	4 4" Nominal	C Circular	8 80
8 Color	9 Dimming		
30 3000K	DIM TRIAC Dimmable		